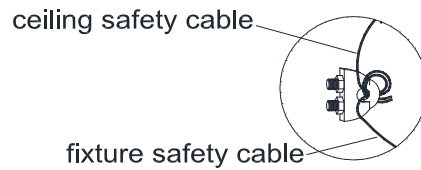


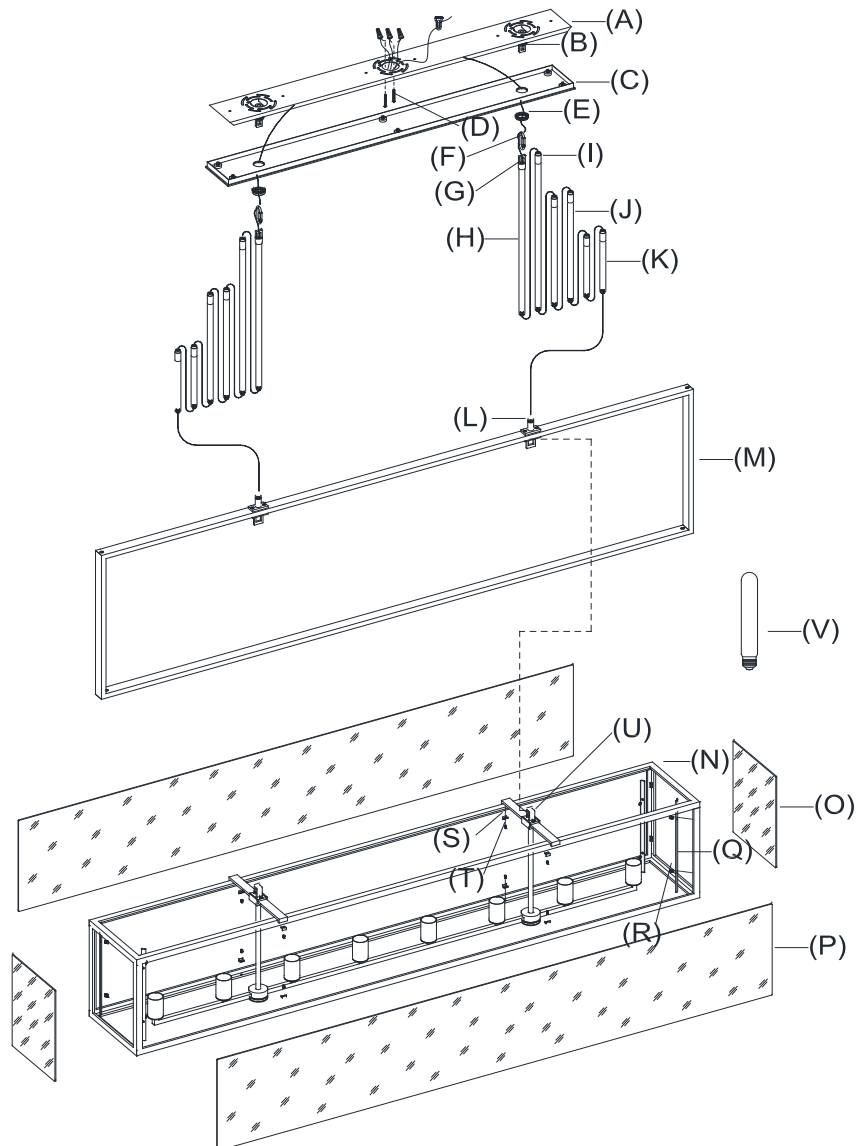
PARTS ENCLOSED

- (A) Mounting Plate (1)
- (B) Mounting Loops (2)
- (C) Canopy (1)
- (D) Mounting Screws (2)
- (E) Canopy Rings (2)
- (F) Quick Links (2)
- (G) Hanging Loops (2)
- (H) 18" Connection Rods (4)
- (I) Connective Tubes (10)
- (J) 12" Connection Rods (4)
- (K) 6" Connection Rods (4)
- (L) Joints (2)
- (M) Hanging Frame (1)
- (N) Lantern Box (1)
- (O) Small Glass Panels (2)
- (P) Large Glass Panels (2)
- (Q) Metal Tabs (4)
- (R) Set Screws (8)
- (S) "L" Metal Tabs (4)
- (T) Screws (8)
- (U) Top Hooks (2)
- (V) Bulbs (8)



To assemble safety cables:

1. Join fixture safety cables with safety cable from ceiling.
2. Wrap both safety cable around the cable lock nut.
3. Secure by tightening both hex nuts until tight.



IMPORTANT SAFETY INSTRUCTIONS

INSTALLATION BY A LICENSED ELECTRICIAN IS STRONGLY RECOMMENDED.

This fixture has been rated for up to eight (8) 40-Watt maximum Type T lightbulbs (included) or eight (8) 13-Watt compact fluorescent lightbulbs (not included). To avoid the risk of fire, do not exceed the recommended wattage.

WARNINGS

All wires are connected. When unpacking, be careful not to pull wires, as a bad connection may result. Do not connect electricity until your fixture is fully assembled. To reduce the risk of fire, electrical shock, or personal injury, always turn off fixture and allow it to cool prior to replacing the lightbulb. Do not touch or look directly at the bulb when fixture is illuminated. Keep flammable materials away from lit bulb.



WARNING: This product can expose you to lead, which is known to the State of California to cause cancer and birth defects or other reproductive harm. For more information, go to www.P65Warnings.ca.gov.

THIS PRODUCT IS NOT A TOY AND HAS NO PLAY VALUE.



WARNING: STRANGULATION HAZARD

Keep cord at least 3 feet away from cribs, bassinets, and toddler beds. Keep out of reach of children under 3 years of age.

ASSEMBLY & INSTALLATION

SHUT OFF THE MAIN ELECTRICAL SUPPLY FROM THE FUSE BOX OR CIRCUIT BREAKER PANEL.

1. Carefully remove all parts from the box and remove all plastic coverings.
2. Remove Metal Tabs (Q) by removing Set Screws (R). Remove "L" Metal Tabs (S) by removing Screws (T) and set aside.
3. Install Small Glass Panels (O) to both sides of Lantern Box (N) and secure replacing Metal Tabs (Q), then tighten with Set Screws (R).
4. Install Large Glass Panels (P) to Lantern Box (N) and secure by replacing "L" Metal Tabs (S), then tighten with Screws (T).
5. Slide Hanging Frame (M) over Lantern Box (N) and clip Top

ASSEMBLY & INSTALLATION CONT.

Hooks (U) onto the top loops of Hanging Frame (M). Make sure Top Hooks (U) are sitting in the middle of the top loops under Joints (L).

6. Determine the hanging length of chandelier. Connect Joint (L) to some or all Connection Rods (H) (J) (K) and Connective Tubes (I) according to the height needed. Note: Pre-wire the connection rods before putting them together.
7. Feed the wires through Connection Rods (H) (J) (K), Hanging Loops (G), Canopy Rings (E), Canopy (C), and Mounting Loops (B).
8. Thread Hanging Loops (G) onto the inner connection rod of the top Connection Rods (H) (J) (K).
9. Unscrew Canopy Rings (E). Slide Canopy Rings (E) and Canopy (C) on Connection Rods (H) (J) (K).
10. Affix Mounting Plate (A) to the ceiling outlet box and secure with Mounting Screws (D). If woodscrews and anchors are needed, use proper fasteners from your local hardware store.
11. Connect the safety steel wire from the fixture to the safety cable from the ceiling. (See illustration on previous page).
12. Gently pull the wire from the ceiling outlet box and allow the wire to hang. Thread the wire through the center hole in Mounting Plate (A).
13. Carefully inspect the chandelier's two fixture wires. One has very fine ridges molded into the plastic covering – this is the neutral wire. The second wire's covering is smooth – this is the hot wire. The bare wire is the ground wire.
14. Connect the ground wire from the fixture with the ground wire (usually bare) from your ceiling box using a wire nut. If your house does not have ground wire, then attach the ground wire from the fixture to the green grounding screw inside of the outlet box. IT IS IMPERATIVE THAT THE OUTLET BOX IN YOUR HOME BE PROPERLY GROUNDED.
15. Connect the neutral wire from the fixture with the neutral wire (usually white) from the ceiling outlet box using a wire nut.
16. Connect the hot wire from your fixture with the hot wire (usually black) from your outlet box using a wire nut. DO NOT REVERSE THE HOT AND NEUTRAL CONNECTIONS, OTHERWISE SAFETY WILL BE COMPROMISED.
17. Tuck the wire connections neatly into the ceiling outlet box.
18. Hook Hanging Loop (G) to Mounting Loops (B) by opening and closing Quick Links (F). Raise Canopy (C) to cover the ceiling outlet box, then secure the Canopy Rings (E) to Mounting Loops (B).
19. Insert Bulbs (V) into each of the sockets.
20. Assembly is complete.