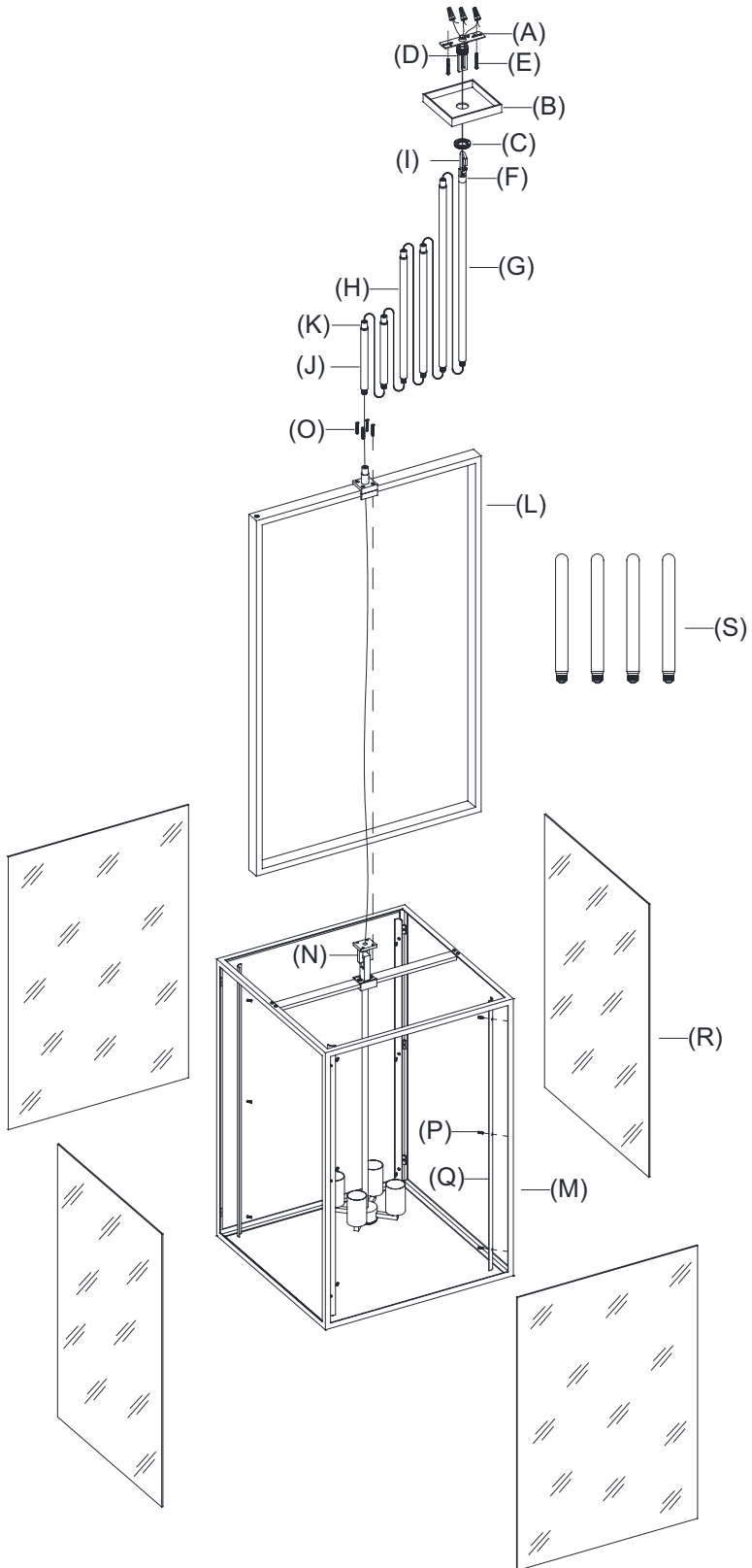


# RH

## BECKMAN SQUARE PENDANT 34"

### PARTS ENCLOSED

- (A) Mounting Plate (1)
- (B) Canopy (1)
- (C) Canopy Ring (1)
- (D) Mounting Loop (1)
- (E) Mounting Screws (2)
- (F) Hanging Loop (1)
- (G) Connection Rods, 18" (2)
- (H) Connection Rods, 12" (2)
- (I) Quick Link (1)
- (J) Connection Rods, 6" (2)
- (K) Connective Tubes (5)
- (L) Frame (1)
- (M) Lantern Box (1)
- (N) Top Loop (1)
- (O) Screws (4)
- (P) Metal Tabs (4)
- (Q) Screws (12)
- (R) Glass Panels (4)
- (S) Bulbs (4)



## BECKMAN SQUARE PENDANT 34"

**IMPORTANT SAFETY INSTRUCTIONS**

INSTALLATION BY A LICENSED ELECTRICIAN IS STRONGLY RECOMMENDED.

This fixture has been rated for up to four (4) 40-watt maximum type T lightbulbs or four (4) 9-watt compact fluorescent lightbulbs. To avoid the risk of fire, do not exceed the recommended wattage.

**WARNINGS**

All wires are connected. When unpacking, be careful not to pull wires, as a bad connection may result. Do not connect electricity until your fixture is fully assembled. To reduce the risk of fire, electrical shock, or personal injury, always turn off fixture and allow it to cool prior to replacing the lightbulbs. Do not touch or look directly at the bulbs when fixture is illuminated. Keep flammable materials away from lit bulbs.



**WARNING:** This product can expose you to lead, which is known to the State of California to cause cancer and birth defects or other reproductive harm. For more information, go to [www.P65Warnings.ca.gov](http://www.P65Warnings.ca.gov).

**THIS PRODUCT IS NOT A TOY AND HAS NO PLAY VALUE.**



**WARNING: STRANGULATION HAZARD**

Keep cord at least 3 feet away from cribs, bassinets, and toddler beds. Keep out of reach of children under 3 years of age.

**ASSEMBLY & INSTALLATION**

SHUT OFF THE MAIN ELECTRICAL SUPPLY FROM THE FUSE BOX OR CIRCUIT BREAKER PANEL.

- Carefully remove all parts from the box and remove all plastic coverings.
- Feed the wires through Frame (L). Connect Frame (L) to Lantern Box (M) by aligning the holes on Top Loop (N) with the holes on Frame (L) and secure with Screws (O). Tighten using a screwdriver.
- Remove Metal Tabs (P) by removing Screws (Q). Install Glass Panels (R) on each side of Lantern Box (M) and secure with Metal Tabs (P) and Screws (Q).

**ASSEMBLY & INSTALLATION CONT.**

- Determine the hanging length of the pendant. Connect Frame (L) to some or all Connection Rods (G) (H) (J) and Connective Tubes (K) according to the height needed. Note: Pre-wire the connection rods before putting them together.
- Feed wires through Connection Rods (G) (H) (J), Hanging Loop (F), Mounting Loop (D), Canopy Ring (C), and Canopy (B).
- Thread Hanging Loop (F) onto the inner connection rod of the top Connection Rod (G) (H) (J).
- Attach Mounting Plate (A) to the ceiling outlet box and secure with Mounting Screws (E).
- Carefully slide Canopy Ring (C) and Canopy (B) onto Connection Rods (G) (H) (J).
- Connect the ground wire from the fixture with the ground wire (usually green) from your ceiling box using a wire nut. If your house does not have ground wire, then attach the GROUND WIRE from the fixture to the green grounding screw inside of the outlet box. IT IS IMPERATIVE THAT THE OUTLET BOX IN YOUR HOME BE PROPERLY GROUNDED.
- Connect the neutral from your fixture with the neutral wire (usually white) from your ceiling box using a wire nut.
- Connect the hot wire from your fixture with the hot wire (usually black) from your outlet box using a wire nut. DO NOT REVERSE THE HOT AND NEUTRAL CONNECTIONS OR SAFETY WILL BE COMPROMISED.
- Tuck the wire connection neatly into the ceiling outlet box.
- Hook Hanging Loop (F) to Mounting Loop (D) by opening/closing Quick Link (I). Raise Canopy (B) to cover the ceiling outlet box, then secure by affixing Canopy Ring (C) to Mounting Loop (D).
- Insert Bulbs (S) into each of the sockets.
- Assembly is complete.

**CARE INSTRUCTIONS**

Do not use polishes or cleaners on the fixture. Wipe clean with a soft, dry cloth.