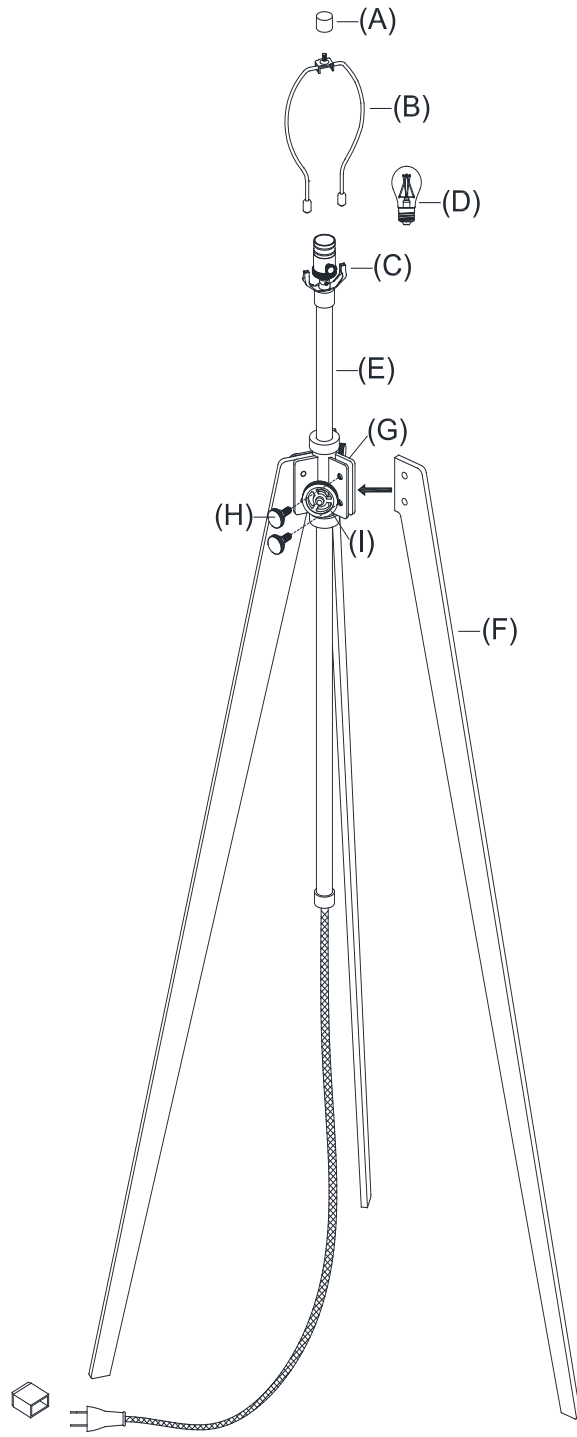


RH

ARMAGNAC TRIPOD FLOOR LAMP

PARTS ENCLOSED

- (A) Finial (1)
- (B) Harp (1)
- (C) Harp Saddle (1)
- (D) Bulb (1)
- (E) Lamp Pole (1)
- (F) Side Leg (1)
- (G) Bracket (1)
- (H) Thumbscrews (2)
- (I) Adjustment Key (1)



ARMAGNAC TRIPOD FLOOR LAMP

IMPORTANT SAFETY INSTRUCTIONS

INSTALLATION BY A LICENSED ELECTRICIAN IS STRONGLY RECOMMENDED.

This fixture has been rated for one (1) 100-Watt maximum Type A standard lightbulb (not included), one (1) 23-Watt compact fluorescent lightbulb (not included) or one (1) 9-Watt SBLED lightbulb (included). To avoid the risk of fire, do not exceed the recommended wattage.

WARNINGS

All wires are connected. When unpacking, be careful not to pull wires, as a bad connection may result. Do not connect electricity until your fixture is fully assembled. To reduce the risk of fire, electrical shock, or personal injury, always turn off fixture and allow it to cool prior to replacing the lightbulb. Do not touch or look directly at the bulb when fixture is illuminated. Keep flammable materials away from lit bulb.



WARNING: This product can expose you to lead, which is known to the State of California to cause cancer and birth defects or other reproductive harm. For more information, go to www.P65Warnings.ca.gov.

THIS PRODUCT IS NOT A TOY AND HAS NO PLAY VALUE.



WARNING: STRANGULATION HAZARD

Keep cord at least 3 feet away from cribs, bassinets, and toddler beds. Keep out of reach of children under 3 years of age.

ASSEMBLY & INSTALLATION

SHUT OFF THE MAIN ELECTRICAL SUPPLY FROM THE FUSE BOX OR CIRCUIT BREAKER PANEL.

1. Carefully remove all parts from the box and remove all plastic coverings.
2. Remove Thumbscrews (H) from Bracket (G).
3. Insert the top end of Side Leg (F) into Bracket (G), then tighten by inserting Thumbscrews (H).
4. Insert Bulb (D) into the threaded socket.
5. Insert Harp (B) into Harp Saddle (C).
6. Unscrew Finial (A) from Harp (B). Place the shade (not included) over Harp (B).
7. Attach Finial (A) and tighten to secure the shade.
8. Plug into proper electrical outlet and test fixture.
9. Assembly is complete.

TO ADJUST Loosen Adjustment Key (I) in a counter-clockwise direction.

10. Adjust the lamp by pulling or pushing Lamp Pole (E) to the desired height.
11. Tighten Adjustment Key (I) in a clockwise direction to secure Lamp Pole (E) in place.

CARE INSTRUCTIONS

Do not use polishes or cleaners on the fixture. Wipe clean with a soft, dry cloth.