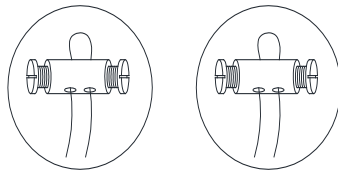


RH

ARCENEUX PENDANT 36"

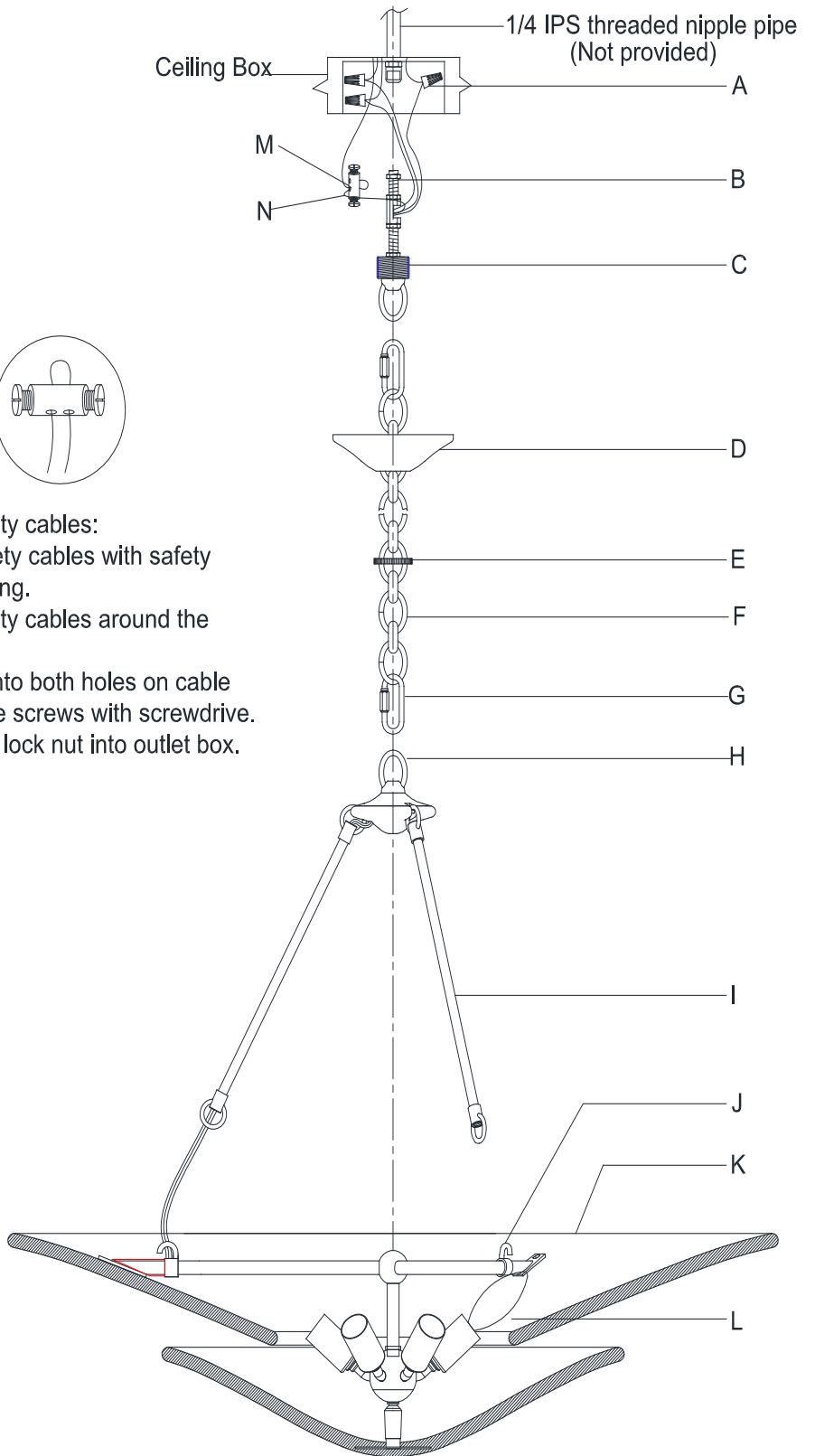
PARTS ENCLOSED

- (A) Wire Nuts (3)
- (B) Threaded Nipple (1)
- (C) Ceiling Loop (1)
- (D) Canopy (1)
- (E) Lock Collar (1)
- (F) Chain (1)
- (G) Carabiners (2)
- (H) Top Ring (1)
- (I) Hanging Rods (3)
- (J) Hooks (3)
- (K) Fixture Body (1)
- (L) Bulbs (6)
- (M) Cable Lock Nut (1)
- (N) Safety Cable (1)



To assemble safety cables:

1. Join fixture safety cables with safety cable from ceiling.
2. Wrap both safety cables around the cable lock nut.
3. Insert screws into both holes on cable lock nut, secure screws with screwdriver.
4. Push the cable lock nut into outlet box.



IMPORTANT SAFETY INSTRUCTIONS

INSTALLATION BY A LICENSED ELECTRICIAN IS STRONGLY RECOMMENDED.

This fixture has been rated for up to six (6) 40-watt maximum E12 Type B candelabra lightbulbs, six (6) 13-watt compact fluorescent lightbulbs or six (6) 5-watt LED lightbulbs. To avoid the risk of fire, do not exceed the recommended wattage.

WARNING S

All wires are connected. When unpacking, be careful not to pull wires, as a bad connection may result. Do not connect electricity until your fixture is fully assembled. To reduce the risk of fire, electrical shock, or personal injury, always turn off fixture and allow it to cool prior to replacing the lightbulb. Do not touch or look directly at the bulb when fixture is illuminated. Keep flammable materials away from lit bulb.



WARNING: This product can expose you to lead, which is known to the State of California to cause cancer and birth defects or other reproductive harm. For more information, go to www.P65Warnings.ca.gov.

THIS PRODUCT IS NOT A TOY AND HAS NO PLAY VALUE.



WARNING: STRANGULATION HAZARD

Keep cord at least 3 feet away from cribs, bassinets, and toddler beds. Keep out of reach of children under 3 years of age.

ASSEMBLY & INSTALLATION

SHUT OFF THE MAIN ELECTRICAL SUPPLY FROM THE FUSE BOX OR CIRCUIT BREAKER PANEL.

- Carefully remove all parts from the box and remove all plastic coverings.
- Install Threaded Nipple (B) with a hickey and nut into the ceiling outlet box. You must provide a 1/4" IPS threaded nipple pipe (not provided) which will go through the top of the ceiling outlet box and through a structural member of the building.
- Attach Ceiling Loop (C) to Threaded Nipple (B).
- Affix Canopy (D) to Ceiling Loop (C), then secure with Lock Collar (E).
- Using the dimensions of the fixture as a guide, shorten Chain (F) as needed using a pair of chain pliers.

ASSEMBLY & INSTALLATION CONT.

- Attach Hanging Rods (I) to Hooks (J) on Fixture Body (K).
- Unscrew the threaded collar on one of Carabiners (G). Attach Chain (F) to Ceiling Loop (C). Close the threaded collar to secure Chain (F).
- Unscrew the threaded collar on the other Carabiners (G). Raise Fixture Body (K) and attach Carabiners (G) to Top Ring (H). Close the threaded collar to secure Fixture Body (K).
- Unwrap the wires from the top of Fixture Body (K). Weave the power supply cord and the ground wire through Chain (F).
- When you reach Canopy (D) and Ceiling Loop (C), measure the wires and cut. Be certain to leave enough to connect inside Canopy (D).
- Twist the power supply and ground wires together and push through the center loosen Lock Collar (E) and let Canopy (D) slip down Chain (F) carefully.
- Join the fixture Safety Cable (N) with the safety cable from the ceiling.
- Wrap both safety cables around Cable Lock Nut (M).
- Insert screws into both holes on Cable Lock Nut (M) and secure screws using a screwdriver (not provided).
- Push Cable Lock Nut (M) into the ceiling outlet box.
- Connect the fixture ground wire (bare) with the ground (usually bare) wire from the ceiling box using a Wire Nut (A). If your house does not have ground wire, then attach this wire to the green grounding screw inside of the outlet box. IT IS IMPERATIVE THAT THIS FIXTURE BE GROUNDED.
- Connect the fixture neutral wire (ribbed edge, no markings, or white) with the neutral wire (usually white) from the ceiling outlet box using a Wire Nut (A).
- Connect the fixture hot wire (smooth edge, markings, or black) with the hot wire (usually black) from the outlet box using a Wire Nut (A). DO NOT REVERSE THE HOT AND NEUTRAL CONNECTIONS OR SAFETY WILL BE COMPROMISED.
- Tuck these wire connections neatly into the ceiling outlet box.
- Affix Canopy (D) to Ceiling Loop (C) and secure with Lock Collar (E).
- Insert Bulbs (M) into each of the sockets.
- Installation is complete.

CARE INSTRUCTIONS

Do not use polishes or cleaners on the fixture. Wipe clean with a soft, dry cloth.