

# RH

## APERTURE MIRROR 72" RECTANGULAR

### PARTS INCLUDED:

- A [1] MIRROR
- B [2] U ARM
- C [5] ANCHORS
- D [5] SCREWS

### GETTING STARTED:

- Carefully remove all parts from the package.
- Do not discard the package until the installation is complete.
- Read through all the instructions before starting.
- The mirror can hang vertically or horizontally.
- Professional installation is strongly recommended.
- Make sure all parts indicated on the package are present, +5 screws per mirror.
- Make sure all tools and necessary supplementary hardware are on hand before starting.

### ASSEMBLY & INSTALLATION INSTRUCTIONS:

1. Determine the appropriate location for the mirror. The position of the mirror is a personal choice and depends on the size of the wall you are furnishing.
2. Mark the chosen location of the mounting hardware with a pencil. Use a carpenter's level to ensure the wall shelf is level. Pre-drill the screw holes using a 1/4"(6.5mm) drill bit.
3. Insert the enclosed anchor (C) into the wall, with the hole on the anchor lining up with the predrilled screw holes created in step 2.
4. Attach the U arm (B) against the anchor (C), insert the metal screws (D) through the U arm (B) into the anchors (C), and ensure the U arm (B) is secured on the wall. See Fig 1.
5. Please note, the short U arm is for vertical hanging, while the long U arm is for horizontal hanging.
6. Hang the mirror (A) onto the U arm (B) on the wall.

### CARE INSTRUCTIONS:

- Do not use polishes or cleaners on the product.
- Wipe clean with a soft, dry cloth.

### IMPORTANT SAFETY INSTRUCTIONS:

PLEASE FOLLOW THE ASSEMBLY INSTRUCTIONS CLOSELY. IMPROPER ASSEMBLY OR INTALLATION CAN RESULT IN PERSONAL INJURY OR PROPERTY DAMAGE. IF YOU ARE UNSURE ABOUT YOUR WALL TYPE OR WHICH MOUNTING METHOD TO USE, CONSULT A QUALIFIED PROFESSIONAL OR YOUR LOCAL HARDWARE STORE.

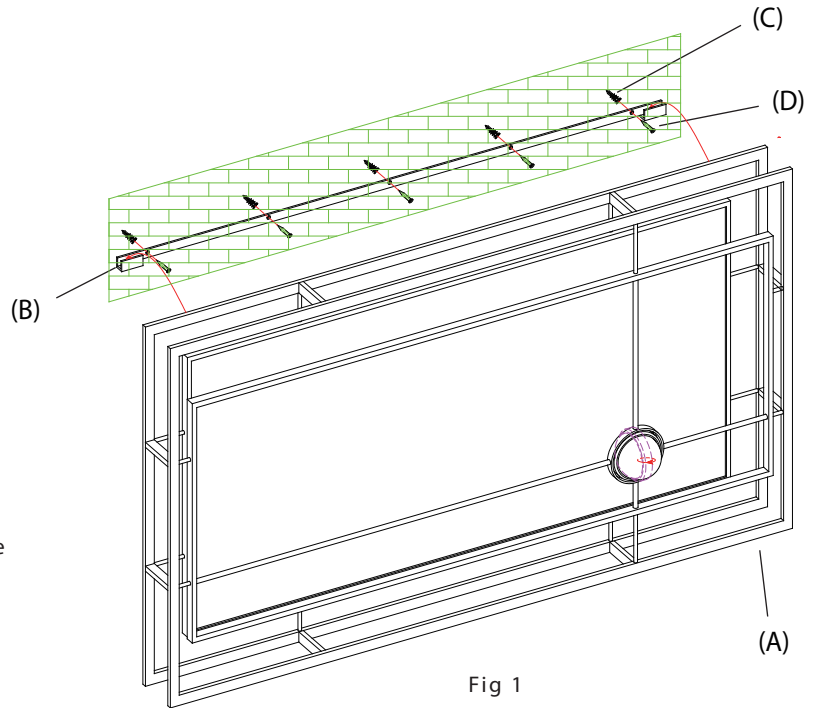


Fig 1