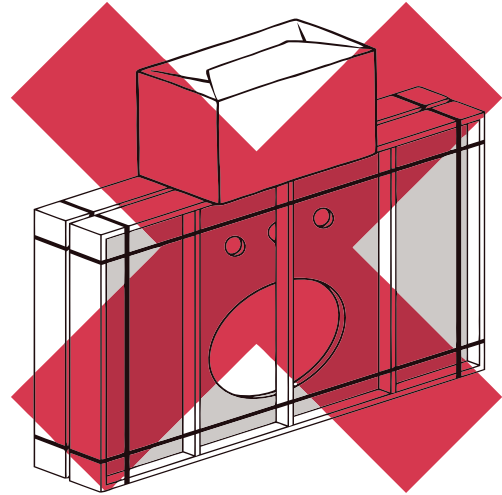
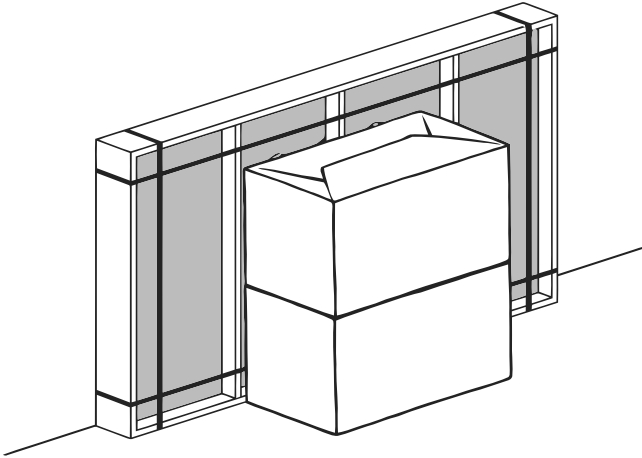


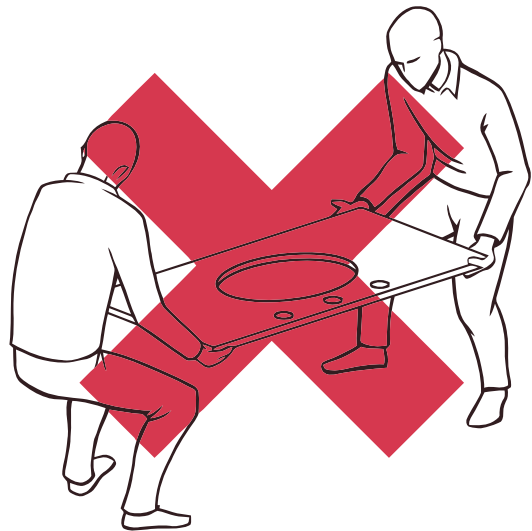
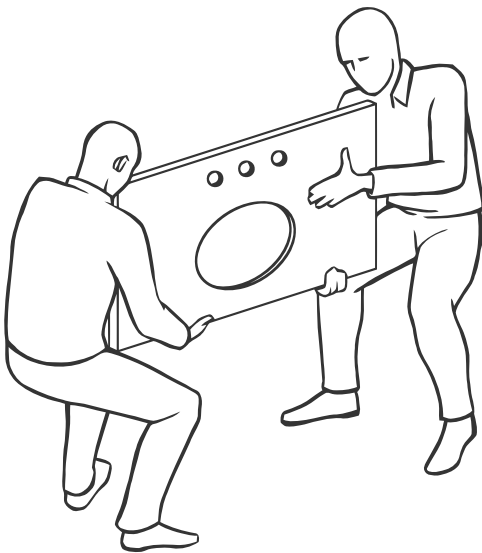
### CRATE STORAGE



- Keep Stone Top in its crate until installation.
- Store crate vertically in a safe location.

- Do not stack anything on top of crate.

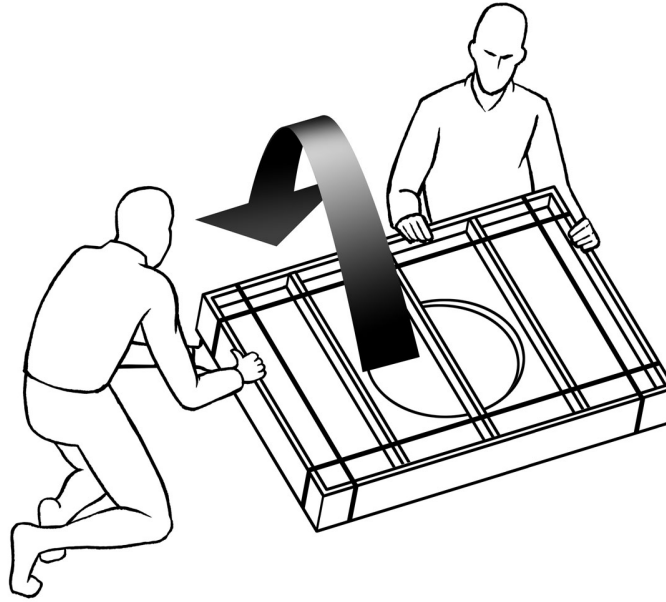
### STONE TOP TRANSPORT



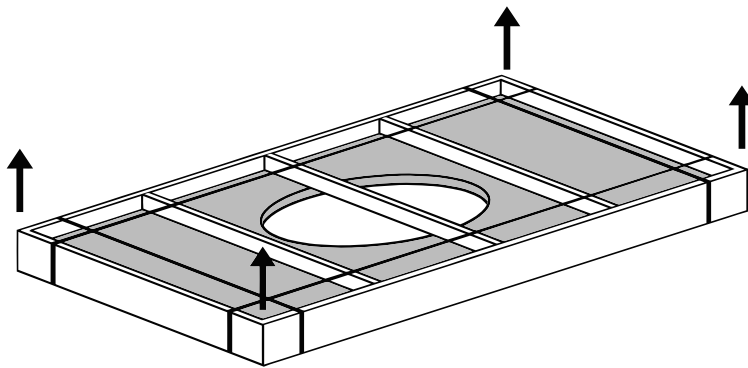
- When moving Stone Top, always use a two-person crew.
- Always carry Stone Top vertically.

- Do not carry Stone Top horizontally as it increases the risk of breakage or cracking.

### STONE TOP UNPACKING



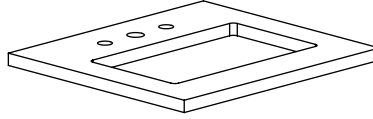
- Carefully, without allowing any freefall, rotate the crate from vertical to flat.



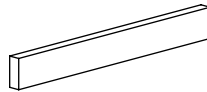
- Remove metal bands, unscrew the slats or lid, and lift the Stone Top out of the crate.

### PARTS LIST

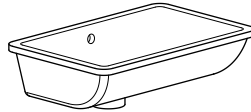
A. Stone Top



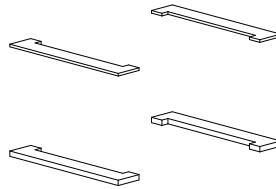
B. Backsplash



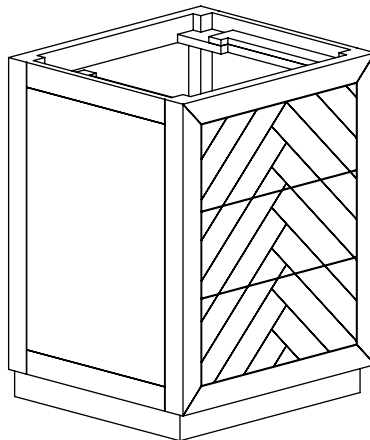
C. Basin



D. Additional Holding Pads  
10mm thick (2)  
15mm thick (2)



E. Vanity Base



# RH

## HERRINGBONE POWDER VANITY

---

### STONE TOP INSPECTION

- Before you begin, inspect the Stone Top for cracks and defects. If defects are detected, do not install and please call 800-762-1005. If no defects are detected, clean Stone Top with a soft cloth.
- 

### TOOL AND MATERIAL REQUIREMENTS

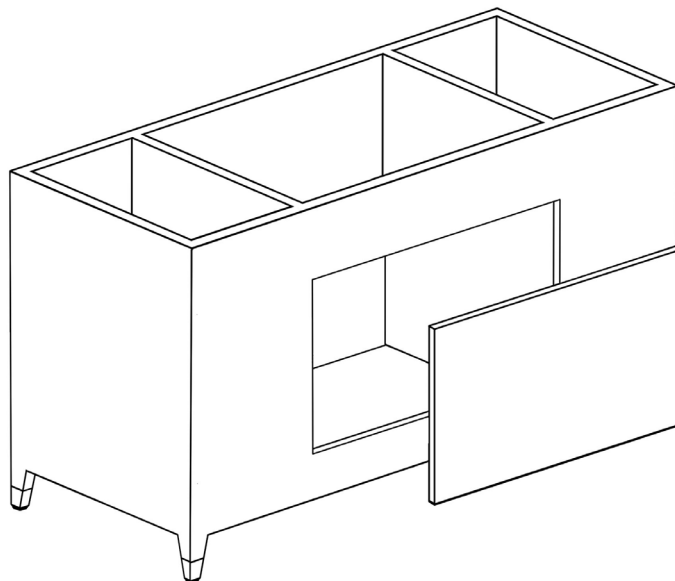
- Flat, non-abrasive work surface (blanket or smooth cardboard)
  - Sealant
  - Carpenter's level
- 

### PRIMARY INSTALLATION REQUIREMENTS

- Professional two-person crew
  - Water supply and drain piping installed according to local plumbing and building codes (sold separately)
  - Wall and floor are square and plumb at installation site
  - Vanity Base [E] installed square and plumb with wall and floor. Vanity Base [E] also needs to be level
  - Ensure Stone Top [A] is the correct size to match the Vanity Base [E]
- 

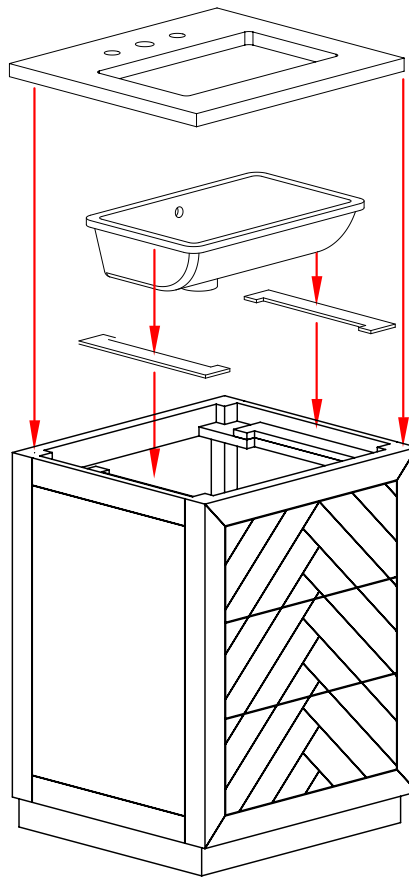
### BACK PANEL REMOVAL

- Remove screws and back panels. Back panels can be discarded or reattached with cutouts to accommodate plumbing.



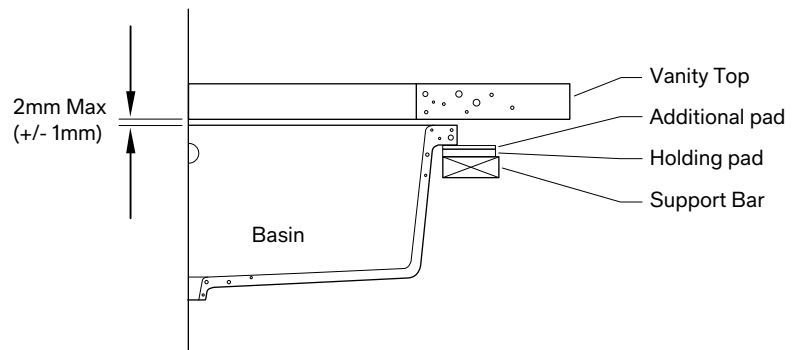
### BASIN INSTALLATION

1. Place Basin (C) on the Vanity Base support bars, then gently set the Vanity Top (A) on top of the Vanity Base.
2. Ensure the gap between the Vanity Top (A) and the top surface of the Basin (C) does not exceed 3mm. If it does, use additional pads (D) to raise the sink.
3. Remove the Vanity Top and the Basin. Apply adhesive to top surface of holding pads, then insert the additional pads. Return the Basin and Vanity Top. Ensure the gap between the top and the Basin does not exceed 3mm.
4. Apply silicone sealant to top of basins as well as bottom and back of Backsplash (B) and attach to wall and Vanity Top.



#### NOTE

USE ADDITIONAL PADS IF THE GAP IS OVER 3MM.



# RH

## HERRINGBONE POWDER VANITY

---

### STONE TOP INSTALLATION



Caution! Installation between two walls requires special care.  
If installing between two walls, stop here and follow the second set of instructions.

---

### STANDARD STONE TOP INSTALLATION GUIDELINES

1. Using a two-person crew, lift Stone Top and set it on top of the Vanity Base [E].
  2. Apply Silicone sealant at the seam where Backsplash [B] meets the wall.
- 

### STONE TOP INSTALLATION BETWEEN TWO WALLS

1. Using a two-person crew, lift Stone Top and set its rear edge on the back of the Vanity Base [E] (closest to the rear wall). See below illustration.
2. Lower front of Stone Top onto the Vanity Base, making sure both ends are lowered at the same rate.
3. Do not shimmy, twist or turn the Stone Top while lowering as this increases the risk of breakage.
4. Apply Silicone sealant at the seam where Backsplash [B] meets the wall.

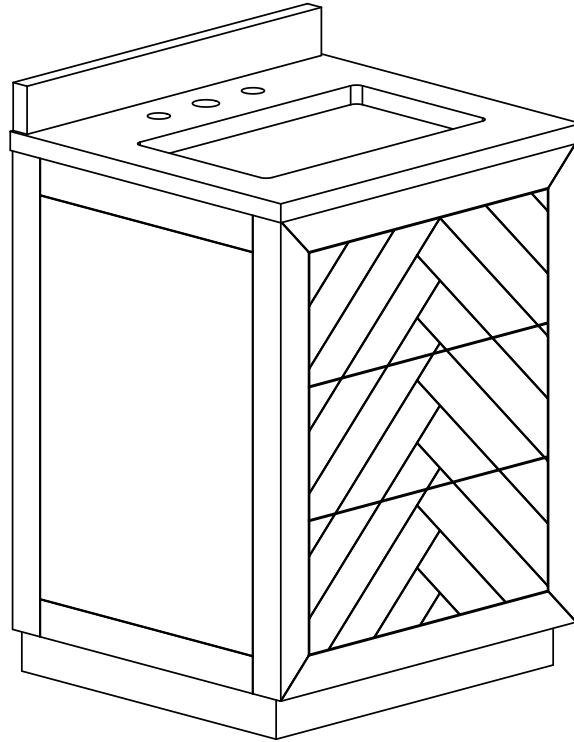


### CLEANING AND MAINTENANCE

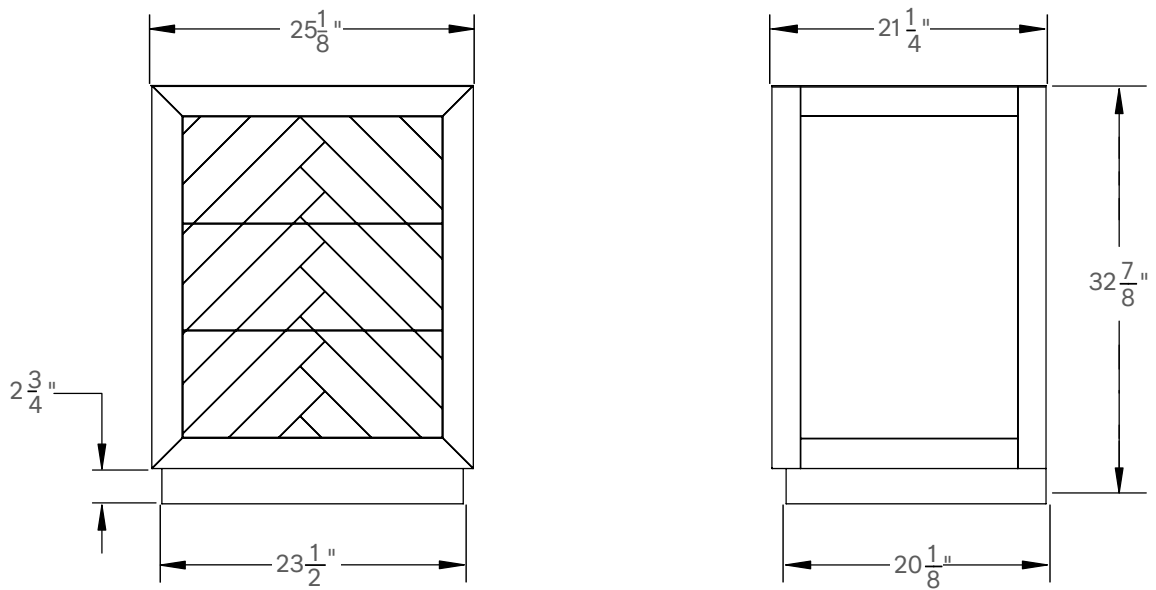
- Avoid abrasive and harsh chemical cleaners.
  - RH Stone Tops have a honed finish, hand-polished edges, and are sealed twice with inert silicone sealant.
  - Stone Tops should be re-sealed annually.
-

# RH

## HERRINGBONE POWDER VANITY



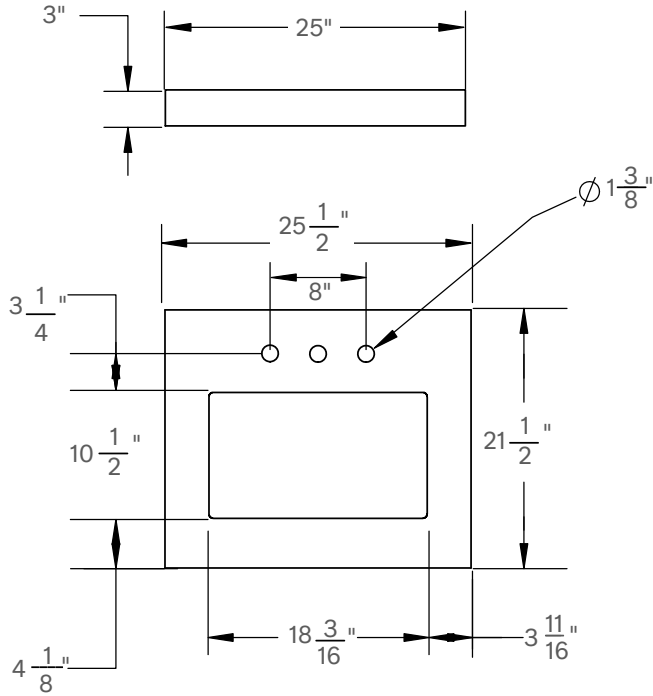
### VANITY DIMENSIONS



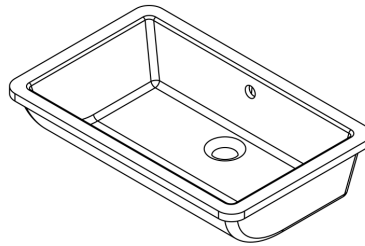
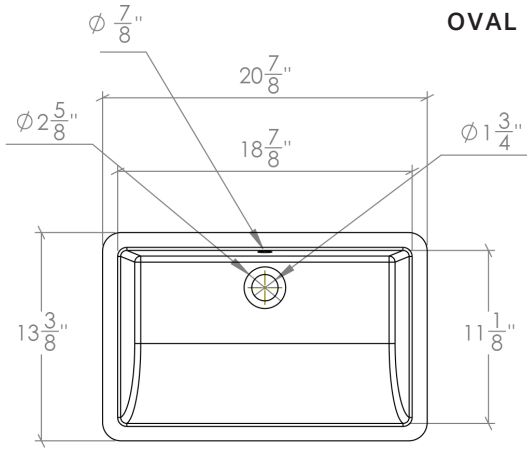
# RH

## HERRINGBONE POWDER VANITY

### STONE TOP

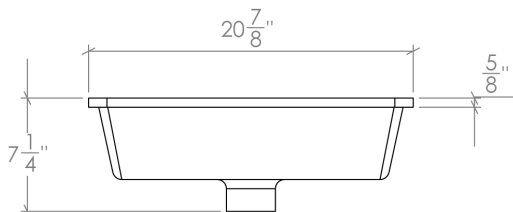


### OVAL BASIN



ISOMETRIC VIEW

### TOPVIEW



FRONT VIEW

