

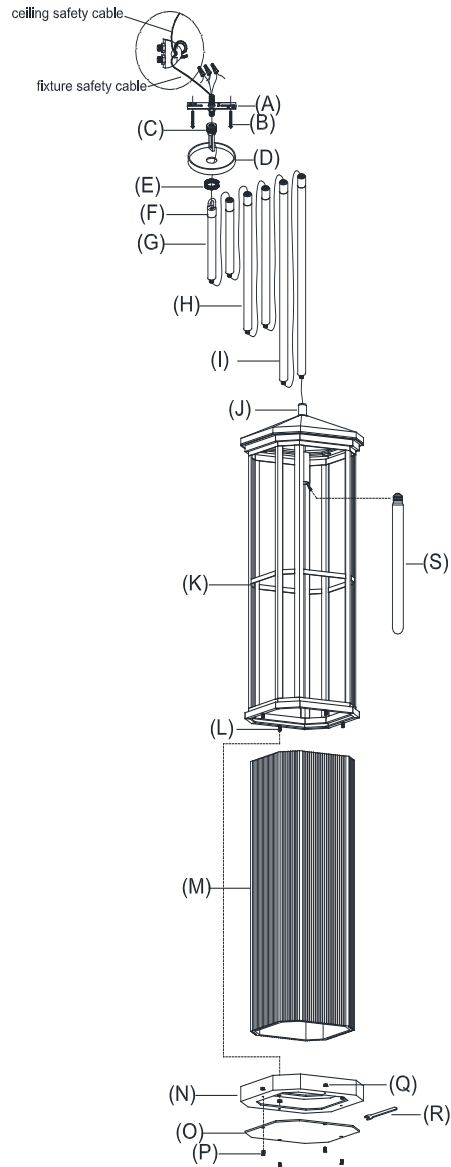
VALENTIN PENDANT

PARTS ENCLOSED

- (A) Mounting Strap (1)
- (B) Mounting Screws (2)
- (C) Mounting Loop (1)
- (D) Canopy (1)
- (E) Canopy Ring (1)
- (F) Hanging Loop (1)
- (G) 6" Extension Rods (2)
- (H) 12" Extension Rods (2)
- (I) 18" Extension Rods (2)
- (J) Joint (1)
- (K) Lantern Box (1)
- (L) Nipples (4)
- (M) Glass Shade (1)
- (N) Shade Cover (1)
- (O) Metal Plate (1)
- (P) Set Screws (4)
- (Q) Cap Nuts (4)
- (R) Wrench (1)
- (S) Bulb (1)

To assemble safety cables:

1. Join fixture safety cables with safety cable from ceiling.
2. Wrap both safety cable around the cable lock nut.
3. Secure by tightening both hex nuts until tight.



VALENTIN PENDANT

IMPORTANT SAFETY INSTRUCTIONS

INSTALLATION BY A LICENSED ELECTRICIAN IS STRONGLY RECOMMENDED.

This fixture has been rated for up to one (1) 60-Watt maximum Type T light bulb (S) (included) or one (1) 23-Watt compact fluorescent light bulb (not included). To avoid the risk of fire, do not exceed the recommended wattage.

WARNINGS

All wires are connected. When unpacking, be careful not to pull wires, as a bad connection may result. Do not connect electricity until your fixture is fully assembled. To reduce the risk of fire, electrical shock, or personal injury, always turn off fixture and allow it to cool prior to replacing the light bulb. Do not touch or look directly at the bulb when fixture is illuminated. Keep flammable materials away from lit bulb.



WARNING: This product can expose you to lead, which is known to the State of California to cause cancer and birth defects or other reproductive harm. For more information, go to www.P65Warnings.ca.gov.

THIS IS NOT A TOY AND THE PRODUCT HAS NO PLAY VALUE.



WARNING: STRANGULATION HAZARD

Keep cord at least 3 ft away from cribs, bassinets, and toddler beds. Keep out of reach of children under 3.

ASSEMBLY & INSTALLATION

SHUT OFF THE MAIN ELECTRICAL SUPPLY FROM THE FUSE BOX OR CIRCUIT BREAKER PANEL.

- Carefully remove all parts from the box and remove all plastic covering.
- Remove Metal Plate (O) from Shade Cover (N) by removing Set Screws (P).
- Remove Shade Cover (N) from Lantern Box (K) by removing Cap Nuts (Q) with Wrench (R).
- Insert Bulb (R) into socket.
- Insert Glass Shade (M) into Lantern Box (K) and secure by replacing Shade Cover (N) to the bottom of Lantern Box (K) and secure with Cap Nuts (Q). Tighten with Wrench (R)

ASSEMBLY & INSTALLATION CONT.

- Replace the Metal Cover (P) to the Shade Cover (N) and secure with Set Screws (P).
- Determine the hanging length of pendant. Connect some or all Connection Rods (G) (H) and (I) to threaded Joint (J) according to the height needed.
- Place Mounting Plate (A) to ceiling outlet box with Mounting Screws (B)
- Hook the Hanging Loop (F) with light fixture to Mounting Loop (C).
- Attach Mounting Loop (C) to the center nipple on Mounting Plate (A).
- Feed wires through the Connection Rods, Hanging Loop (F), Canopy (D) and Mounting Loop (C)
- Connect the safety steel wire from the fixture and the safety cable from ceiling with lock nut. Refer to the illustration.
- Carefully inspect the lantern's two fixture wires. One has very fine ridges molded into the plastic covering – this is the neutral wire. The second wire's covering is smooth – this is the hot wire. The bare wire is the ground wire.
- Connect the ground wire from the fixture with the ground wire (usually bare) from your ceiling box using a wire nut. If your house does not have ground wire, then attach the ground wire from the fixture to the green grounding screw inside of the outlet box. IT IS IMPERATIVE THAT THE OUTLET BOX IN YOUR HOME BE PROPERLY GROUNDED.
- Connect the neutral wire from your fixture with the neutral wire (usually white) from your ceiling box using a wire nut.
- Connect the hot wire from your fixture with the hot wire (usually black) from your outlet box using a wire nut. DO NOT REVERSE THE HOT AND NEUTRAL CONNECTIONS; OTHERWISE, SAFETY WILL BE COMPROMISED.
- Tuck the wire connection neatly into the ceiling outlet box.
- Slide Canopy (D) to affixed Mounting Plate (A) and secure with Canopy Ring (E).
- Assembly is complete.

CARE INSTRUCTIONS

Do not use polishes or cleaners on your lamp. Just wipe clean with a soft cloth.