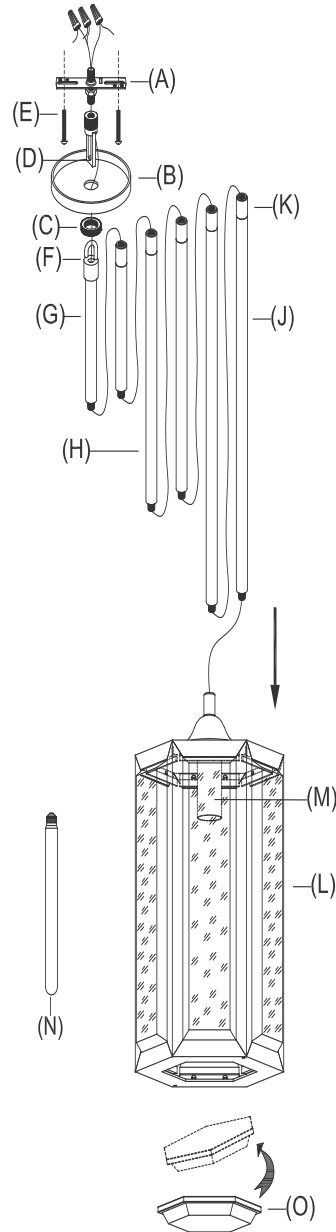


CHEVALIER PENDANT

PARTS ENCLOSED

- (A) Mounting Plate (1)
- (B) Canopy (1)
- (C) Canopy Nut (1)
- (D) Mounting Loop (1)
- (E) Mounting Screws (2)
- (F) Hanging Loop (1)
- (G) 6" Extension Rods (2)
- (H) 12" Extension Rods (2)
- (J) 18" Extension Rods (2)
- (K) Connector Tubes (5)
- (L) Light Fixture (1)
- (M) Socket (1)
- (N) Bulb (1)
- (O) Crystal Cover (1)



CHEVALIER PENDANT

IMPORTANT SAFETY INSTRUCTIONS

INSTALLATION BY A LICENSED ELECTRICIAN IS STRONGLY RECOMMENDED.

This fixture has been rated for up to one (1) 60-Watt maximum Type T bulb (included) or one (1) 13-Watt compact fluorescent light bulb (not included). To avoid the risk of fire, do not exceed the recommended wattage.

WARNINGS

All wires are connected. When unpacking, be careful not to pull wires, as a bad connection may result. Do not connect electricity until your fixture is fully assembled. To reduce the risk of fire, electrical shock, or personal injury, always turn off fixture and allow it to cool prior to replacing the light bulb. Do not touch or look directly at the bulb when fixture is illuminated. Keep flammable materials away from lit bulb.



WARNING: This product can expose you to lead, which is known to the State of California to cause cancer and birth defects or other reproductive harm. For more information, go to www.P65Warnings.ca.gov.

THIS IS NOT A TOY AND THE PRODUCT HAS NO PLAY VALUE.



WARNING: STRANGULATION HAZARD

Keep cord at least 3 ft away from cribs, bassinets, and toddler beds. Keep out of reach of children under 3.

ASSEMBLY & INSTALLATION

SHUT OFF THE MAIN ELECTRICAL SUPPLY FROM THE FUSE BOX OR CIRCUIT BREAKER PANEL.

- Carefully remove all parts from the box and remove all plastic covering.
- Determine the hanging length of pendant. Connect Light Fixture (L) to some or all Connection Rods (G) (H) (J) and Connective Tubes (K) according to the height needed.
- Thread Hanging Loop (F) onto the inner connection rod of the top Connection Rod (G).

ASSEMBLY & INSTALLATION CONT.

- Hook Hanging Loop (F) to Mounting Loop (D).
- Remove Mounting Plate (A) from Canopy (B).
- Place Mounting Plate (A) to ceiling outlet box with Mounting Screws (E).
- Feed wires through the Connection Rods, Hanging Loop (F) Mounting Loop (D), and Canopy (B).
- Carefully inspect the chandelier's two fixture wires. One has very fine ridges molded into the plastic covering – this is the neutral wire. The second wire's covering is smooth – this is the hot wire. The bare wire is the ground wire.
- Connect the ground wire from the fixture with the ground wire (usually bare) from your ceiling box using a wire nut. If your house does not have ground wire, then attach the ground wire from the fixture to the green grounding screw inside of the outlet box. **IT IS IMPERATIVE THAT THE OUTLET BOX IN YOUR HOME BE PROPERLY GROUNDED.**
- Connect the neutral wire from your fixture with the neutral wire (usually white) from your ceiling box using a wire nut.
- Connect the hot wire from your fixture with the hot wire (usually black) from your outlet box using a wire nut. **DO NOT REVERSE THE HOT AND NEUTRAL CONNECTIONS; OTHERWISE, SAFETY WILL BE COMPROMISED.**
- Tuck the wire connection neatly into the ceiling outlet box.
- Raise the Canopy (B) to cover the ceiling outlet box and secure with Canopy Nut (C) to the Mounting Loop (D).
- Insert the Bulb (N) into Socket (M).
- Insert bottom Crystal Cover (O) into bottom opening of the lantern. You will need to rotate crystal to a slant. Adjust until it sits flat to the inside of the lantern.
- Assembly is complete.

CARE INSTRUCTIONS

Do not use polishes or cleaners on your lamp. Just wipe clean with a soft cloth.