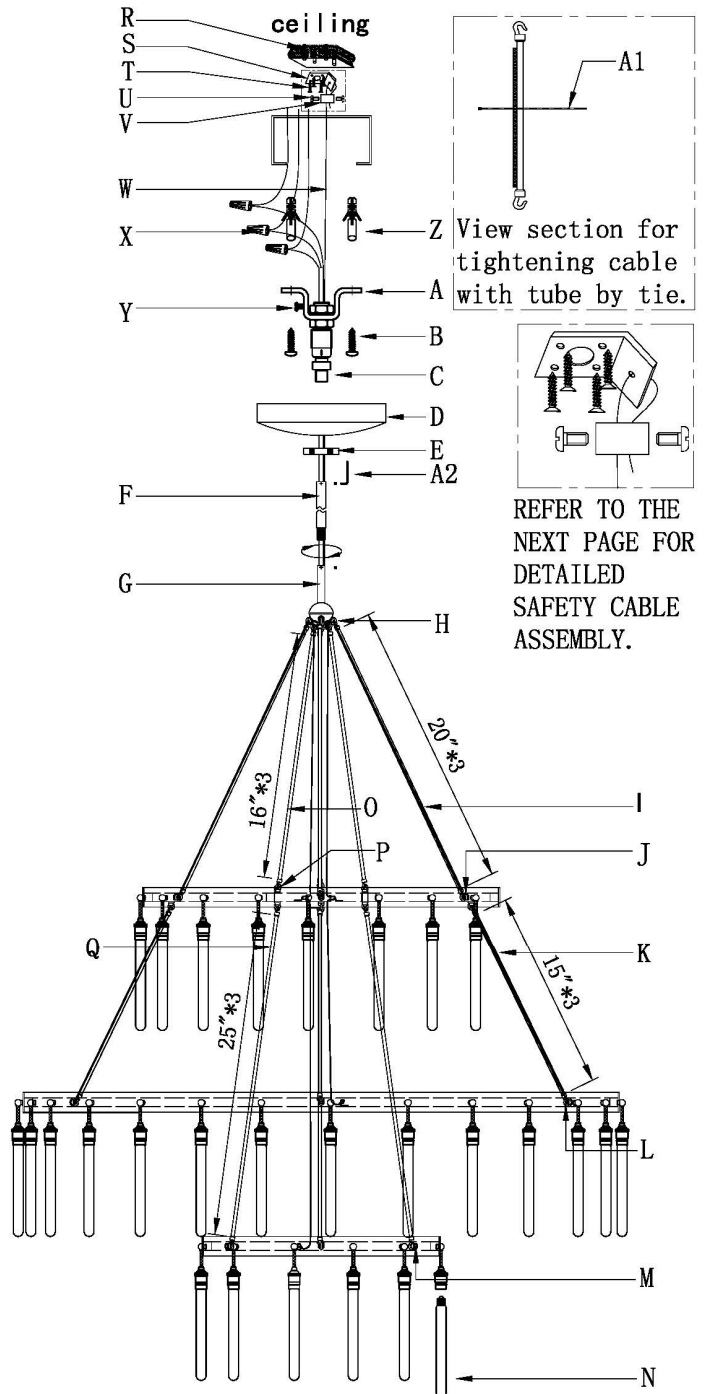


AXIS 3-TIER CHANDELIER 48"

PLEASE FOLLOW THE ASSEMBLY INSTRUCTIONS CLOSELY. IMPROPER ASSEMBLY CAN RESULT IN PERSONAL OR PROPERTY DAMAGE. IF YOU ARE UNSURE ABOUT YOUR CEILING TYPE OR WHAT MOUNTING METHOD YOU SHOULD USE, CONSULT A QUALIFIED PROFESSIONAL OR YOUR LOCAL HARDWARE STORE.

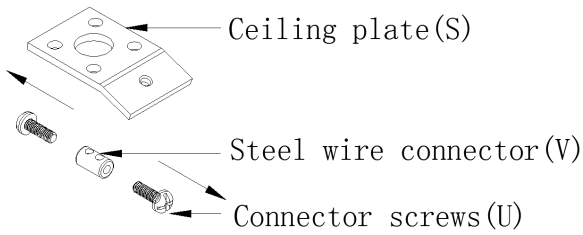
PARTS ENCLOSED:

- (A) Mounting plate (1)
- (B) M6 Round head wood screw (2) and G1/4-20T Round head screw (2)
- (C) Connector (1)
- (D) Canopy (1)
- (E) Canopy ring (1)
- (F) Extension rods (6)
- (G) Wire housing outer rod (1)
- (H) Wire housing hook (6)
- (I) Rod (20" long, 3pcs)
- (J) Medium ring hook (6pcs)
- (K) Rod (15" long, 3pcs)
- (L) Large ring hook (3pcs)
- (M) Small ring hook (3pcs)
- (N) Bulbs (51pcs)
- (O) Rod (16" long, 3pcs)
- (P) Center ring hook (6pcs)
- (Q) Rod (25" long, 3pcs)
- (R) M4 Ceiling anchors (4)
- (S) Ceiling plate (1)
- (T) Ceiling screws (4)
- (U) Connector screws (2)
- (V) Steel wire connector (1)
- (W) Steel wire (1)
- (X) Plastic wire connector (3)
- (Y) Green ground screw (1)
- (Z) M6 Ceiling anchors (2)
- (A1) Tie (12)
- (A2) Allen wrench (1)

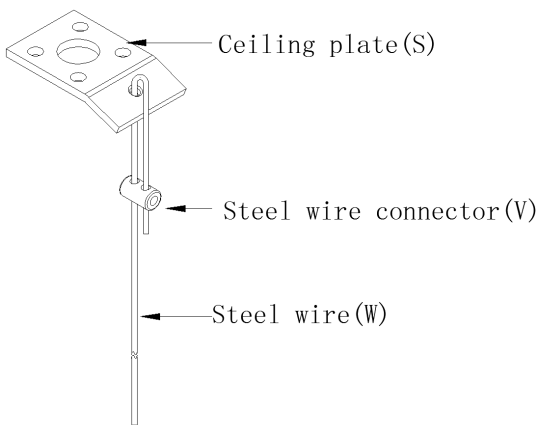


AXIS 3-TIER CHANDELIER 48"

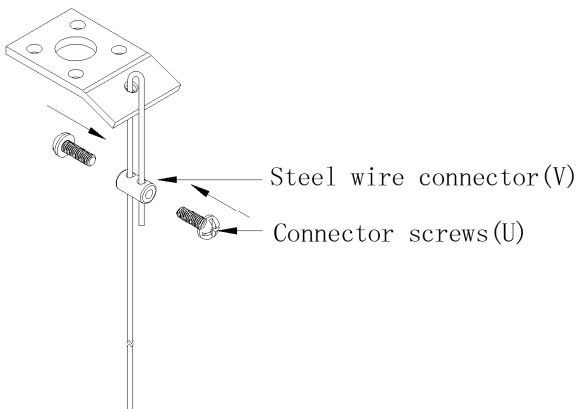
SAFETY CABLE ASSEMBLY



1. Remove the connector screws (U) from steel wire connector (V).



2. Pull the steel wire (W) to slide through one hole of the steel wire connector (V) and side hole of the ceiling plate (S). Then connect to the other hole of the steel wire connector (V).



3. Using two connector screws (U), secure the steel wire connector (V) tightly based on desired hanging height.

AXIS 3-TIER CHANDELIER 48"


IMPORTANT PLEASE READ
WE RECOMMEND INSTALLATION BY A LICENSED ELECTRICIAN.
IMPORTANT SAFETY INSTRUCTIONS:

This fixture has been rated for up to (66) 15W max T30 standard bulb (included). To avoid the risk of fire, do not exceed the recommended wattage.


WARNINGS:

All wires are connected. When unpacking, be careful not to pull wires as a bad connection may result. Do not connect electricity until your lamp is fully assembled. To reduce the risk of fire, electrical shock, or personal injury, always turn off the lamp and allow it to cool prior to replacing the light bulb. Do not touch bulb when fixture is turned on or look directly at lit bulb. Keep flammable materials away from lit bulb.

This lighting fixture contains lead, a chemical known to the State of California to cause cancer, birth defects and other reproductive harm. Wash hands after installing, handling, cleaning, or otherwise touching this light fixture.

 **WARNING:** This product can expose you to lead, which is known to the State of California to cause cancer and birth defects or other reproductive harm. For more information, go to www.P65Warnings.ca.gov.

THIS IS NOT A TOY AND THE PRODUCT HAS NO PLAY VALUE.

 **WARNING: STRANGULATION HAZARD**
Keep cord at least 3ft away from cribs, bassinets, and toddler beds. Keep out of reach of children under 3.

ASSEMBLY & INSTALLATION:

(PROFESSIONAL INSTALLATION RECOMMENDED, OR AT LEAST 3-4 PERSONS TO FINISH THE INSTALLATION.)

1. Carefully remove all parts from the box and remove plastic covering.
2. Turn OFF power to the junction box where the lamp will be installed.
3. Connect the rod (I) to the wire housing hook (H) and medium ring hook (J). There are three rod pieces (I) that need to be connected.
4. Connect the rod (O) to the wire housing hook (H) and center ring hook (P). There are three rod pieces (O) that need to be connected.
5. Connect the rod (K) to the medium ring hook (J) and large ring hook (L). There are three rod pieces that need to be connected.
6. Connect the rod (Q) to the center ring hook (P) and small ring hook (M). There are three rod pieces (Q) that need to be connected.
7. If more length is desired, choose different lengths of extension rod (F) to connect onto wire housing outer rod (G). Then connect the other end of F onto connector (C). If extension rods are not needed, directly screw the connector (C) onto the wire housing outer rod (G). You can loosen or tighten all the M4 small set screws attached on the extension rods (F) and wire housing outer rod (G). It is recommended to retighten all the M4 set screws once all extension rods are assembled to make sure the whole fixture is secure.
8. Connect the canopy ring (E) and canopy (D) onto the connector (C).
9. Drill two holes in the ceiling that align with the holes on the mounting plate (A), and insert M6 ceiling anchors (Z). Then screw two M6 round head wood screws (B) into anchors. If desired, you can use two G1/4-20T round head screws (B) to fix the mounting plate (A) onto the outlet box.
10. Drill four holes in the ceiling that align with the holes on the ceiling plate (S) and insert M4 ceiling anchors (R).
11. Screw four ceiling screws (T) into anchors.
12. Pull the steel wire (W) to slide through one hole of the steel wire connector (V) and side hole of the ceiling plate (S). Then connect to the other hole of the steel wire connector (V). Using two connector screws (U), secure steel wire connector (V) tightly based on desired hanging height.
(Please refer to the detailed illustration on Page 2 for the steel wire assembly.)
13. Connect the hot wire to the hot junction box wire (usually black or smooth) with a plastic wire connector (X) and wrap the connection with electrical tape. Connect the neutral wire to the neutral junction box wire (usually white or ribbed) with a plastic wire connector (X) and wrap the connection with electrical tape.

ASSEMBLY & INSTRUCTION CONT:

14. Attach the ground wire from the fixture to the ground junction box wire from the outlet box (usually green or bare wire) or wrap the ground wire around the green ground screw (Y).
15. Slide up the canopy ring (E) to rest underneath the canopy. Then tightly screw to hold the canopy against the ceiling.
16. Insert the 51 T30 bulbs into the thread sockets.
17. If desired, tighten the cable and tube with a tie.
18. Restore power to the junction box and test fixture.
19. Installation is complete.