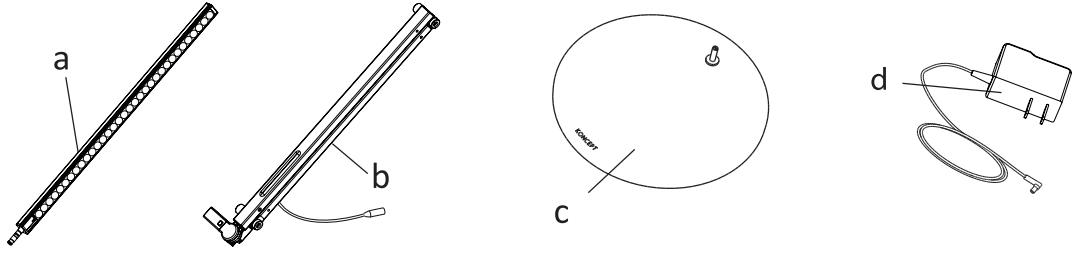


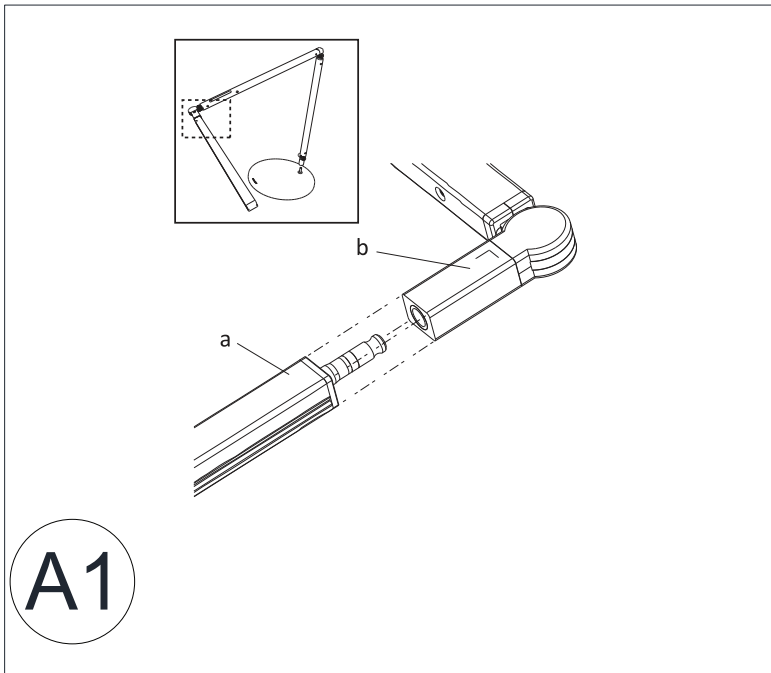
Z-BAR DESK LAMP

PARTS ENCLOSED

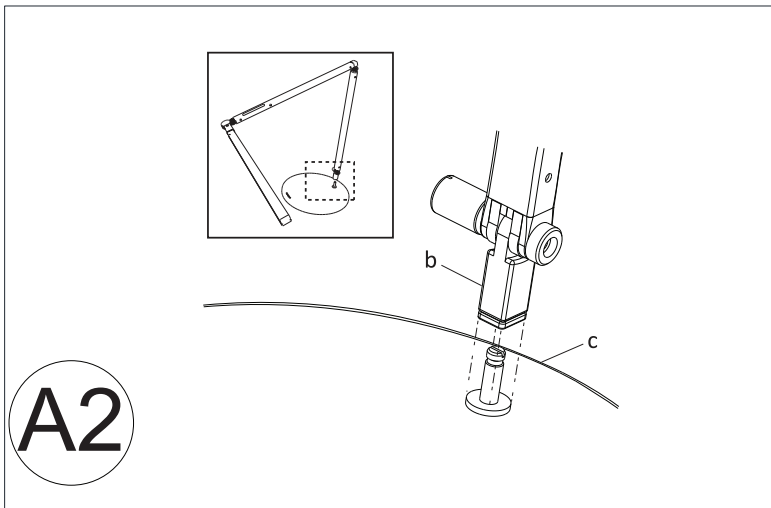
- (A) LED head
- (B) Body
- (C) Desk Base
- (D) Transformer



ASSEMBLY

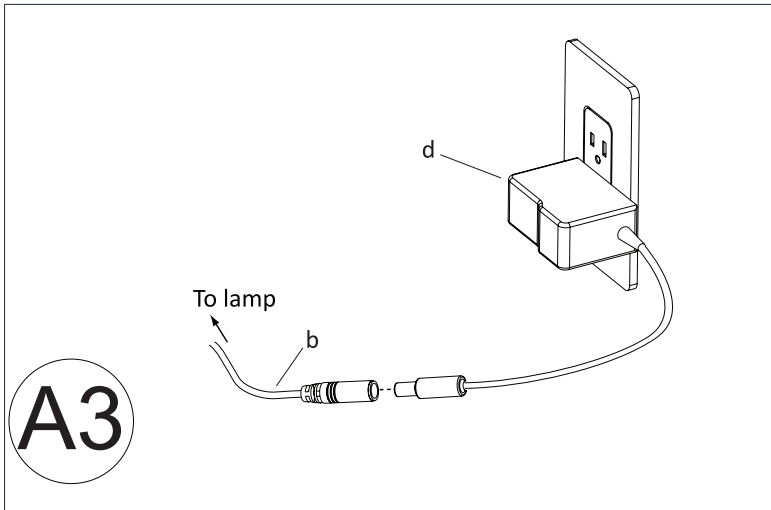


1. Push figure A into B until they click into place.

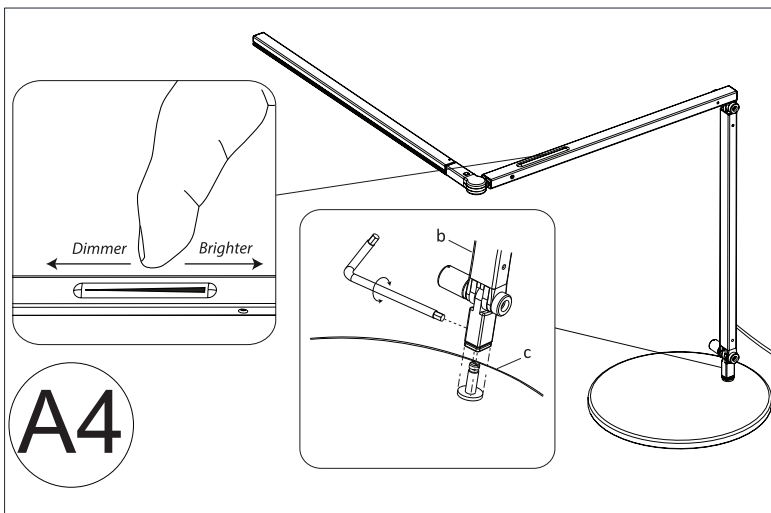


2. Push B into C until they click into place.

Z-BAR DESK LAMP



3. Plug the transformer cord (D) into the lamp body cord (B) and plug the transformer into your outlet.



4. Secure the lamp body to the base with the hex key provided. Use the touchstrip to control brightness and power.

IMPORTANT SAFETY INSTRUCTIONS

To reduce the risk of fire, electric shock or injury:

Do not use outdoors or near water

Do not handle plug or appliance with wet hands

Do not stare directly at the LEDs

Do not use an external dimmer with this lamp. Doing so may cause damage to the product.

WARNINGS

Overheating may result in reduced LED lifespan. To avoid overheating:

Keep out of direct sunlight

Remove plastic bag from lamp before use

Recommended ambient temperature: under 77° F

TROUBLESHOOTING

If the lamp does not turn on, unplug the lamp and ensure all parts are fully inserted into each other and all connections are flush. Plug the lamp back into the power supply and turn on. If problem persists, please email support@koncept.com with your issue.