

## AQUITAINE LINEAR CHANDELIER 60"

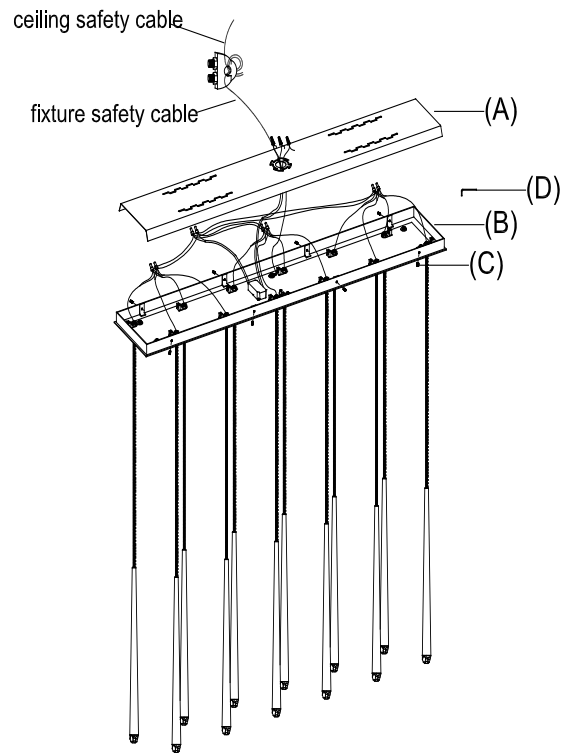
## PARTS ENCLOSED

- (A) Mounting Plate (1)
- (B) Canopy (1)
- (C) Canopy Screws (8)
- (D) Allen Wrench (1)

## SAFETY CABLE

## ASSEMBLY

1. Join fixture safety cable with safety cable from ceiling.
2. Wrap both safety cables around the cable lock nut.
3. Secure by tightening both hex nuts until tight.



## AQUITAINE LINEAR CHANDELIER 60"

**IMPORTANT SAFETY INSTRUCTIONS**

INSTALLATION BY A LICENSED ELECTRICIAN IS STRONGLY RECOMMENDED.

This fixture is compatible with an Electric Low Voltage (ELV) Dimmer. LED module is replaceable.

**WARNINGS**

All wires are connected. When unpacking, be careful not to pull wires, as a bad connection may result. Do not connect electricity until your fixture is fully assembled. To reduce the risk of fire, electrical shock, or personal injury, always turn off fixture and allow it to cool prior to replacing the light bulb. Do not touch or look directly at the bulb when fixture is illuminated. Keep flammable materials away from lit bulb.



**WARNING:** This product can expose you to lead, which is known to the State of California to cause cancer and birth defects or other reproductive harm. For more information, go to [www.P65Warnings.ca.gov](http://www.P65Warnings.ca.gov).

**THIS IS NOT A TOY AND THE PRODUCT HAS NO PLAY VALUE.**



**WARNING: STRANGULATION HAZARD**

Keep cord at least 3 ft away from cribs, bassinets, and toddler beds. Keep out of reach of children under 3.

**ASSEMBLY & INSTALLATION**

SHUT OFF THE MAIN ELECTRICAL SUPPLY FROM THE FUSE BOX OR CIRCUIT BREAKER PANEL.

1. Carefully remove all parts from the box and remove all plastic covering.
2. Remove Mounting Plate (A) from Canopy (B) by removing Canopy Screws (C) with Allen Wrench (D) provided.
3. Attach Mounting Plate (A) to ceiling and secure with mounting screws (not included)/proper fasteners from your local hardware store.
4. Connect the safety steel wire from the fixture and the safety cable from ceiling. Refer to the illustration.
5. Attach the fixture ground wire (green or green/yellow) to the ground wire from the outlet box (usually green insulation or bare wire) with a plastic wire connector and wrap the connection with electrical tape. **IT IS IMPERATIVE THAT THE OUTLET BOX IN YOUR HOME BE PROPERLY GROUNDED.**
6. Connect the neutral wires from the ballast (WHITE) to the neutral outlet wire (usually white) with a plastic wire connector and wrap the connection with electrical tape.
7. Connect the hot wires (BLACK) to the hot outlet box wire (usually black) with a plastic wire connector and wrap the connection with electrical tape. **DO NOT REVERSE THE HOT AND NEUTRAL CONNECTIONS; OTHERWISE, SAFETY WILL BE COMPROMISED.**
8. Attach Canopy (B) with light fixture to affixed Mounting Plate (A) and secure with Canopy Screws (C). Tighten with Allen Wrench (D).
9. Restore power to outlet box and check operation of fixture.
10. Assembly is complete.

**CARE INSTRUCTIONS**

Do not use polishes or cleaners on your lamp. Just wipe clean with a soft cloth.