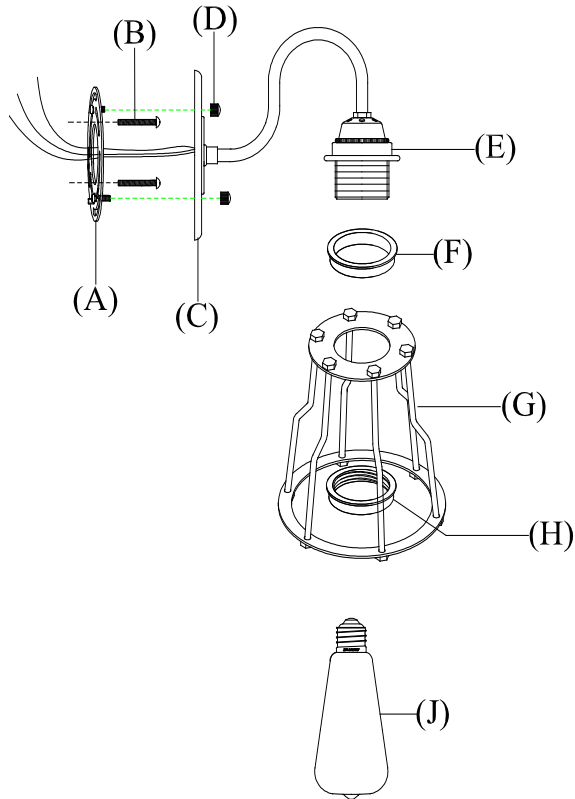


## INDUSTRIAL CAGE FILAMENT SCONCE

## PARTS ENCLOSED

- (A) Mounting Plate (1)
- (B) Mounting Screws (2)
- (C) Lamp Base (1)
- (D) Cap Nuts (2)
- (E) Threaded Socket (1)
- (F) Cage Shade (1)
- (G) Metal Washer (1)
- (H) Socket Ring (1)
- (J) Bulb (1)



## INDUSTRIAL CAGE FILAMENT SCONCE

## IMPORTANT SAFETY INSTRUCTIONS

INSTALLATION BY A LICENSED ELECTRICIAN IS STRONGLY RECOMMENDED.

This fixture has been rated for up to one (1) 60-Watt maximum light bulb (J) (included) OR one (1) 13-Watt Compact Fluorescent bulb (not included). To avoid the risk of fire, do not exceed the recommended wattage.

## WARNINGS

All wires are connected. When unpacking, be careful not to pull wires, as a bad connection may result. Do not connect electricity until your fixture is fully assembled. To reduce the risk of fire, electrical shock, or personal injury, always turn off fixture and allow it to cool prior to replacing the light bulb. Do not touch or look directly at the bulb when fixture is illuminated. Keep flammable materials away from lit bulb.



**WARNING:** This product can expose you to lead, which is known to the State of California to cause cancer and birth defects or other reproductive harm. For more information, go to [www.P65Warnings.ca.gov](http://www.P65Warnings.ca.gov).

**THIS IS NOT A TOY AND THE PRODUCT HAS NO PLAY VALUE.**



**WARNING: STRANGULATION HAZARD**

Keep cord at least 3 ft away from cribs, bassinets, and toddler beds. Keep out of reach of children under 3.

## ASSEMBLY &amp; INSTALLATION

SHUT OFF THE MAIN ELECTRICAL SUPPLY FROM THE FUSE BOX OR CIRCUIT BREAKER PANEL.

1. Carefully remove all parts from the box and remove all plastic covering.
2. Remove Socket Ring (H) and Metal Washer (F) from Threaded Socket (E).
3. Attach Metal Washer (F) and Cage Shade (G) to the Threaded Socket (E), and secure by replacing Socket Ring (H).
4. Remove Mounting Plate (A) from Lamp Base (C) by removing Cap Nuts (D).
5. Affix Mounting Plate (A) to wall outlet box with Mounting Screws (B) provided.
6. Gently pull the wiring from the wall outlet box and allow the wires to hang. Thread the wires through the center hole in the Mounting Plate (A).
7. Attach the fixture ground wire and house ground wire (usually green or bare wire) to wall outlet box with the green grounding screw. Connect fixtures to corresponding house wire with a wire nut. Carefully tuck the wires back into the outlet box. IT IS IMPERATIVE THAT THE OUTLET BOX IN YOUR HOME BE PROPERLY GROUNDED.
8. Connect the neutral wire (WHITE) to the neutral outlet wire (usually white) with a plastic wire connector and wrap the connection with electrical tape.
9. Connect the hot wire (BLACK) to the hot outlet box wire (usually black) with a plastic wire connector and wrap the connection with electrical tape. DO NOT REVERSE THE HOT AND NEUTRAL CONNECTIONS; OTHERWISE, SAFETY WILL BE COMPROMISED.
10. Attach Lamp Base (C) to Mounting Plate (A). Tighten with Cap Nuts (D).
11. Insert Bulb (J) into socket.
12. Restore power to outlet box and check operation of fixture.
13. Assembly is complete.

## CARE INSTRUCTIONS

Do not use polishes or cleaners on your lamp. Just wipe clean with a soft cloth.