

# RESTORATION HARDWARE

Thank you for purchasing Restoration Hardware Lighting. Our assortment is crafted with the highest quality details in mind and each collection is clad in one of our signature finish options. Each item's surface is sealed which eliminates the need for polishing and ensures the lasting brilliance of your piece for years to come.

## PARTS ENCLOSED:

- |                         |                   |
|-------------------------|-------------------|
| (A) WIRE NUT (2X)       | (K) CHANNELS (X4) |
| (B) MOUNTING PLATE      | (L) HOUSING       |
| (C) MOUNTING SCREW (X2) | (M) TUBE          |
| (D) CANOPY              | (N) SHADE         |
| (E) CANOPY SCREW (X3)   | (O) TUBE          |
| (F) LOOP                | (P) WASHER        |
| (G) QUICK LINK          | (Q) DIFFUSER      |
| (H) LOOP                | (R) FINIAL        |
| (I) EXTENSION           |                   |
| (J) SHADE ARMS (X4)     |                   |

## IMPORTANT SAFETY INSTRUCTIONS:

\*These instructions are provided for your safety. It is very important that they are read completely before beginning the installation of your fixture.

\*DIRECT WIRE FIXTURES: WE STRONGLY RECOMMEND INSTALLATION BY A LICENSED ELECTRICIAN.

This fixture has been rated for up to (3) 100W MAX. Type A, medium base bulbs. To avoid risk of fire, do not exceed the recommended wattage.

## WARNINGS:

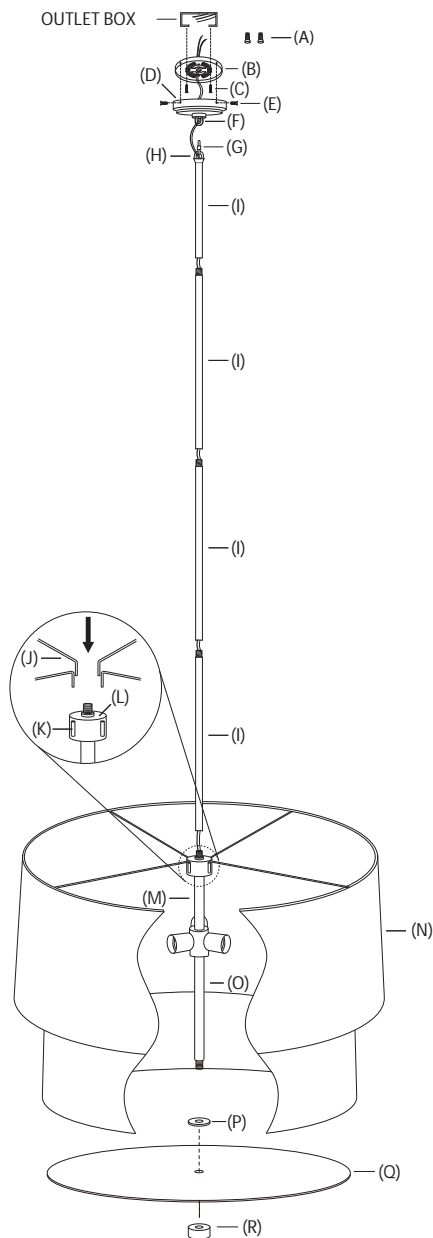
Turn off power (unplug from the wall outlet) before replacing the bulb(s), making sure the bulb(s) have sufficient time to cool down.

Do not subject the lamp to any shock while lit as shattering of bulbs may result.

## TO ASSEMBLE:

1. SHUT OFF THE MAIN ELECTRICAL SUPPLY AT FUSE BOX/ CIRCUIT BREAKER.
2. Remove all parts from carton. Do not throw away any parts.
3. Remove mounting plate (B) from canopy (D) by removing canopy screws (E).
4. Affix mounting plate (B) to outlet box using mounting plate screws (C).
5. Measure desired drop for fixture to hang and add/remove extension tubes (I). Guide wiring through extension tubes before threading tubes together.  
\*\*ADD/REMOVE EXTENSIONS: (Un)Thread the threaded nipple of one extension into the threaded opening of the next extension. Make sure wiring is pulled tight when threading extensions together to prevent damage to the wire\*\*
6. Use quick link (G) to connect loop (H) to loop (F), on canopy (D).
7. Thread bottom extension tube (I) onto threaded nipple on top of housing (L).
8. Lift fixture to ceiling outlet box. Make proper electrical connection. A LICENSED ELECTRICIAN IS RECOMMENDED.
9. Attach ground wire from fixture (green or copper in color) to ground wire from outlet box.
10. Attach hot wire from fixture (black in color or smooth side of wire) to hot wire from outlet box. Fasten wires together with wire nut (A) and tightly wrap connection with electrical tape.
11. Attach neutral wire from fixture (white in color or ribbed side of wire) to neutral wire from outlet box. Fasten wires together with wire nut (A) and tightly wrap connection with electrical tape.
12. Slide canopy (D) over mounting plate (B). Align holes in canopy (D) with holes in mounting plate (B).
13. Thread canopy screws (E) into holes to secure fixture to mounting plate (B).
14. Lift shade (N) over bottom section of fixture. Insert shade arms (J) into channels (K), located on housing (L). Make sure shade arms (J) are fully inserted into channels (K), so shade (N) stays securely attached to fixture.
15. Install three (3) 100W MAX Type A, medium base bulbs into sockets.
16. Thread washer (P) onto threaded nipple on tube (O).
17. Slide diffuser (Q) over threaded nipple on tube (O). Hold diffuser (Q) against washer (P).
18. Thread finial (R) onto exposed threads of nipple on tube (O) to secure position of diffuser (Q) inside shade (N).

## 2 - TIER SHADE PENDANT



## CARE INSTRUCTIONS:

To clean, use a soft cloth only. DO NOT use any chemical or abrasive cleaners.