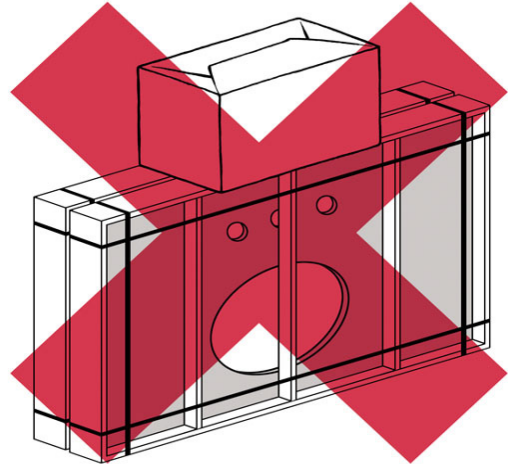
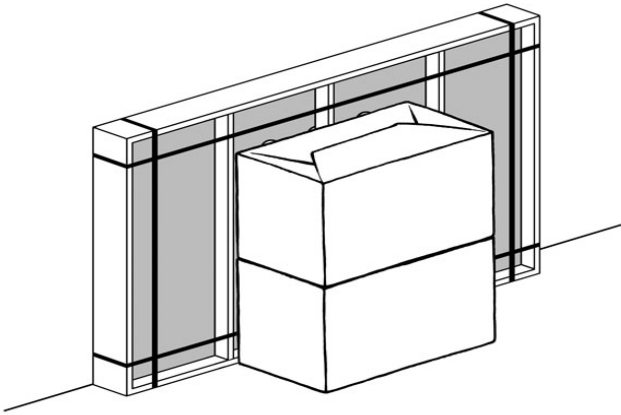


## RECLAIMED RUSSIAN OAK DOUBLE WASHSTAND DECK MOUNT ASSEMBLY INSTRUCTIONS

### I. Storage

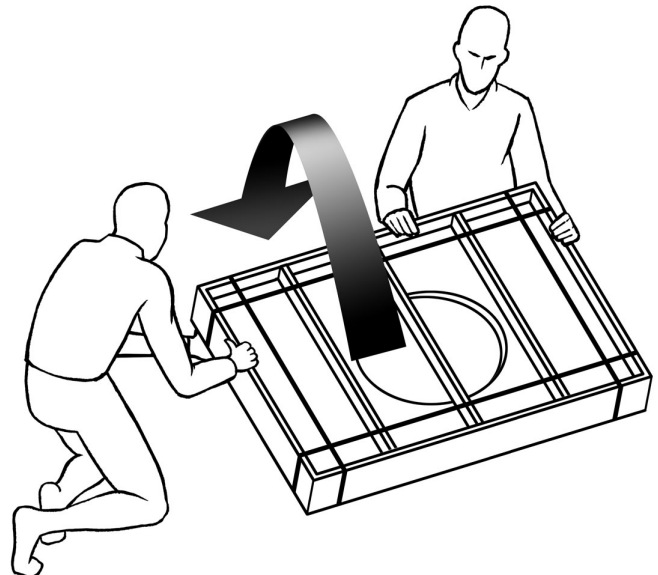
1. Keep marble top in its crate until installation.
2. Store crate vertically in a place safe from being hit or knocked over.
3. Do not stack anything on top of the crate.



### 2. Opening crate

1. Before unpacking make sure you have installation requirements present:
  1. A professional two man crew
  2. Sink base installed according to instructions with plumb wall and floor
  3. Ensure the marble top is the correct one for the base.
  4. Tools and materials required:
    1. Flat, non-abrasive work surface, such as a blanket or smooth cardboard
    2. Carpenter's level
    3. Phillips head screwdriver
    4. Sealant

2. Carefully, without allowing any free fall, rotate the crate from vertical to flat. This is the only time the crate should be horizontal.

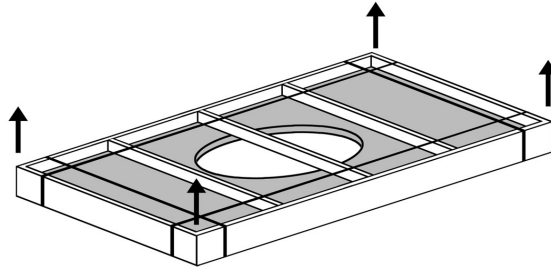


## RECLAIMED RUSSIAN OAK DOUBLE WASHSTAND DECK MOUNT ASSEMBLY INSTRUCTIONS

---

3. Remove metal bands

4. Unscrew the slats or lid and remove.



### 3. Examination of marble top

1. Examine the marble top for cracks or defects.

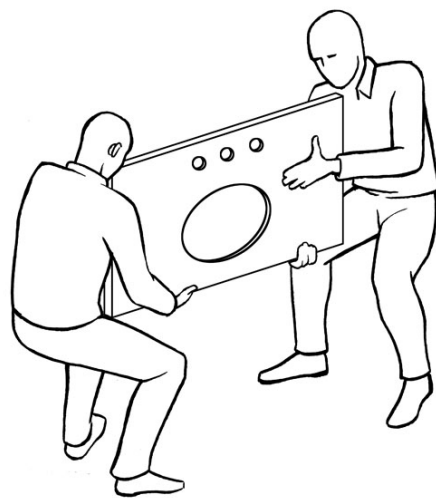
2. If defects are detected, please call 877-777-7059; do not install.

3. To clean the marble top, wipe with a soft cloth.

### 4. Installation of marble top

1. Always use a two man crew; a single person crew is much more likely to break or chip the marble top.

Double tops might require a 3 man crew.

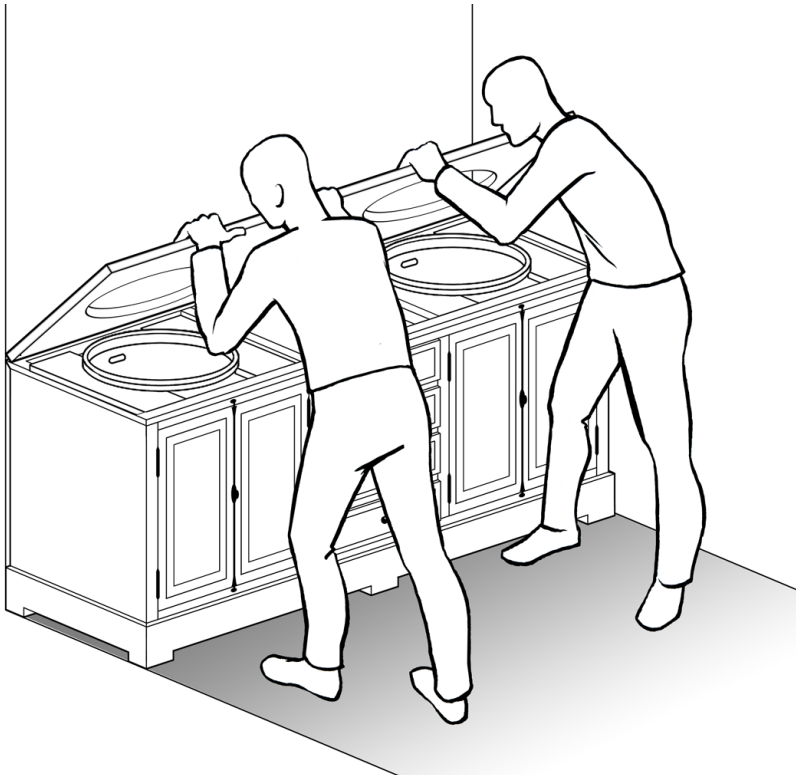




Caution! Installation between two walls requires special care.

### 2. Specific Instructions for installation between two walls

1. Set top on its edge at back of counter.
2. Lower the front of the marble top to the sink base, making sure both ends come down at the same rate.
3. Do not shimmy, twist or turn the top as you lower it. - risk of breakage!



If defects are detected please call 877-777-7059 - do not install.

## RECLAIMED RUSSIAN OAK DOUBLE WASHSTAND DECK MOUNT ASSEMBLY INSTRUCTIONS

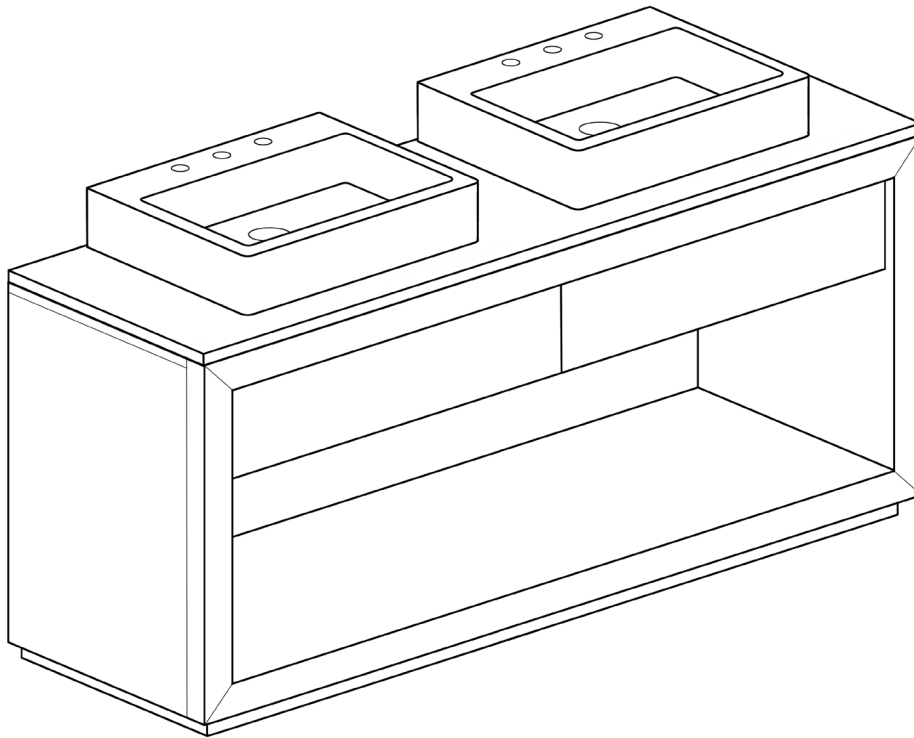
---

### Before You Begin:

Professional installation by two-person crew is required for this fixture. Install water supply and drain piping according to local plumbing and building codes. Insure that wall and floor are square and plumb at site of installation.

### Materials Required:

1. Flat, nonabrasive work surface such as a blanket or smooth cardboard
3. Silicone



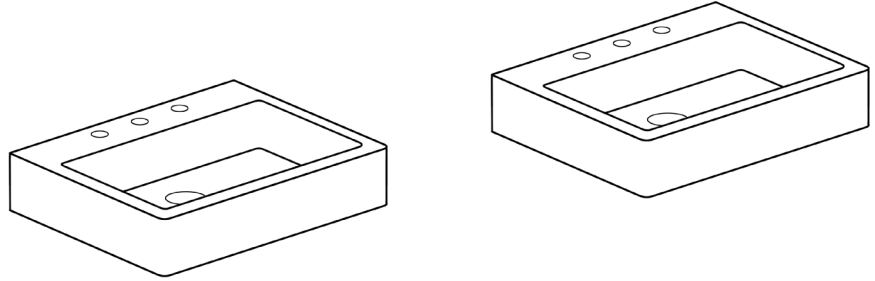
ASSEMBLED SINK

## RECLAIMED RUSSIAN OAK DOUBLE WASHSTAND DECK MOUNT ASSEMBLY INSTRUCTIONS

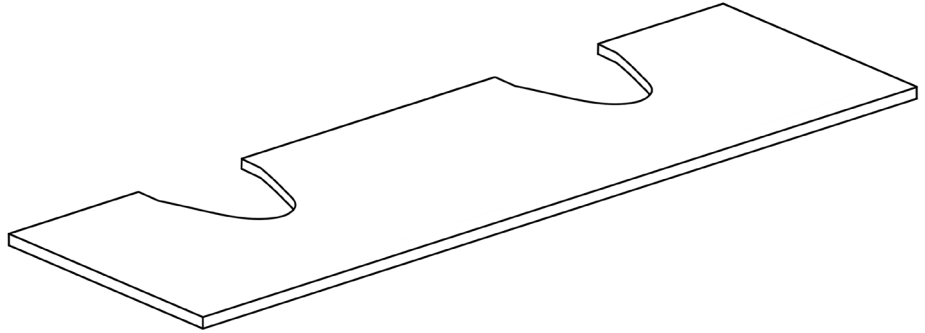
---

### Parts List

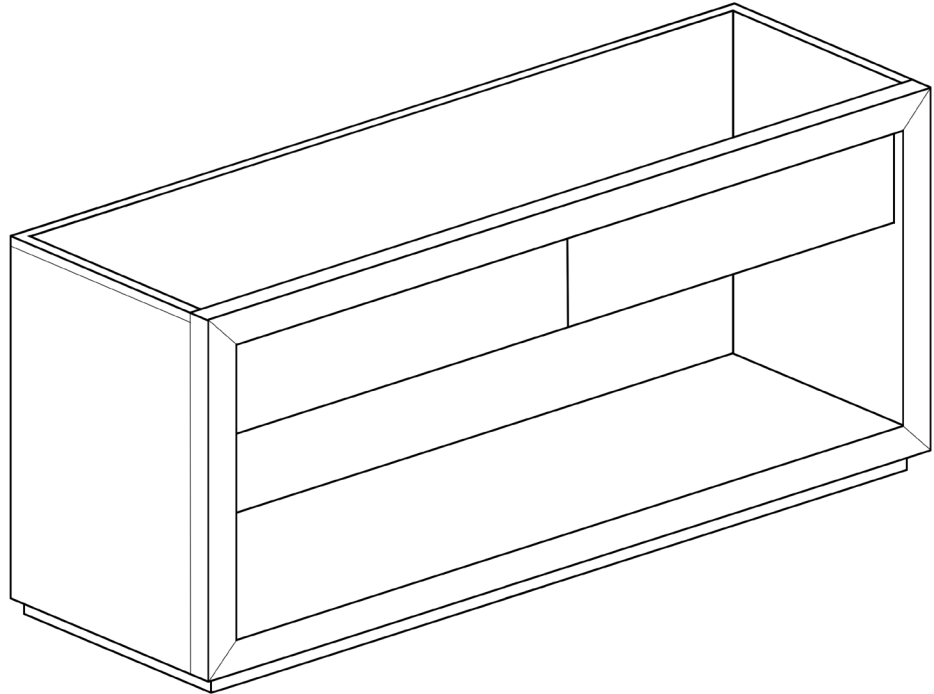
- A. Lavatory basins (x2)



- B. Stone top (sold separately)

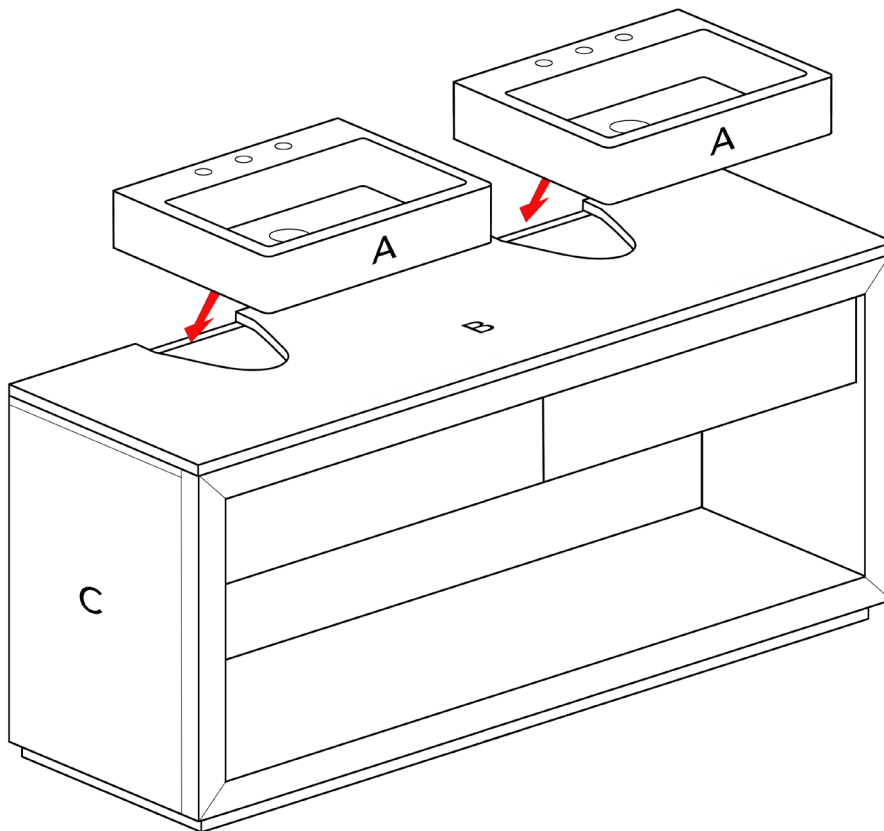


- C. Vanity base



### Assembly Instructions

1. Install vanity base (C).
2. Using two people, carefully lift stone top (B) into position on top of vanity base.
3. Apply a continuous bead of silicone to the bottom of the basins (A) where they contact top (C).
4. Place basins (A) on stop top (B).

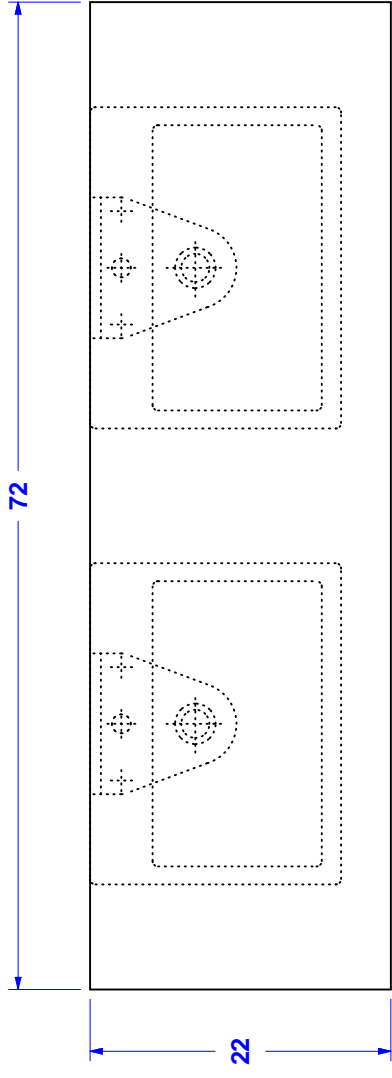


### Cleaning and Maintenance Instructions:

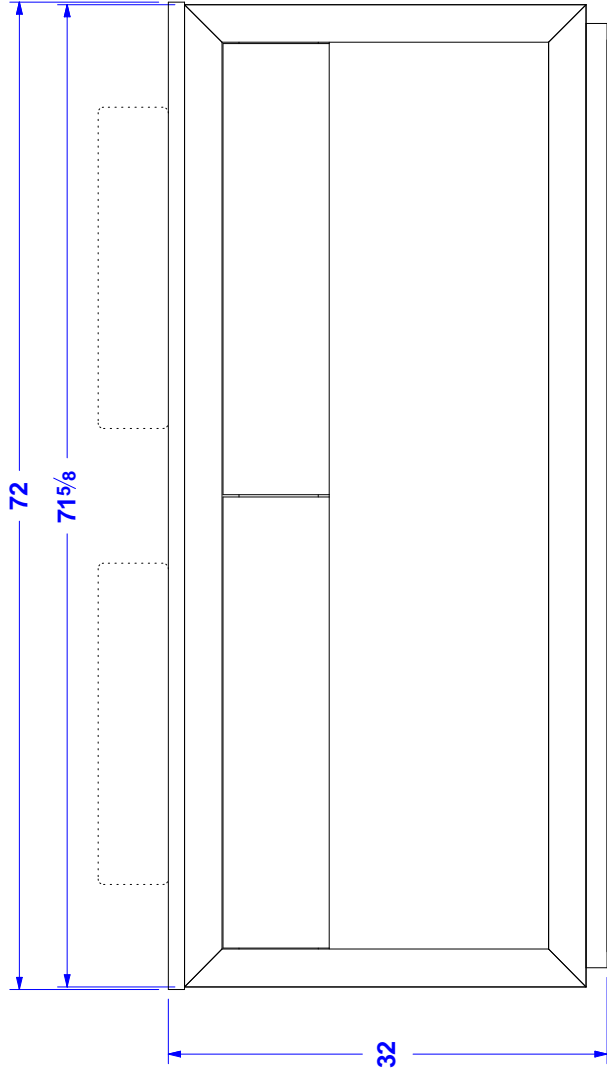
Avoid abrasive and harsh chemical cleaners.

To maintain and protect luster of vanity sink components, Restoration Hardware Bathroom Cleaning Products are recommended.

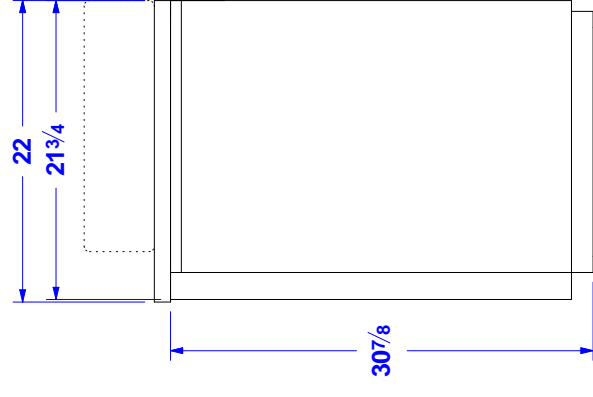
Restoration Hardware natural stone tops have a honed finish and hand-polished edges. They are sealed twice before shipment with inert silicone sealant. For cleaning and maintenance, Restoration Hardware Stone Care Products are recommended. To maintain your natural stone top, reseal it once a year.



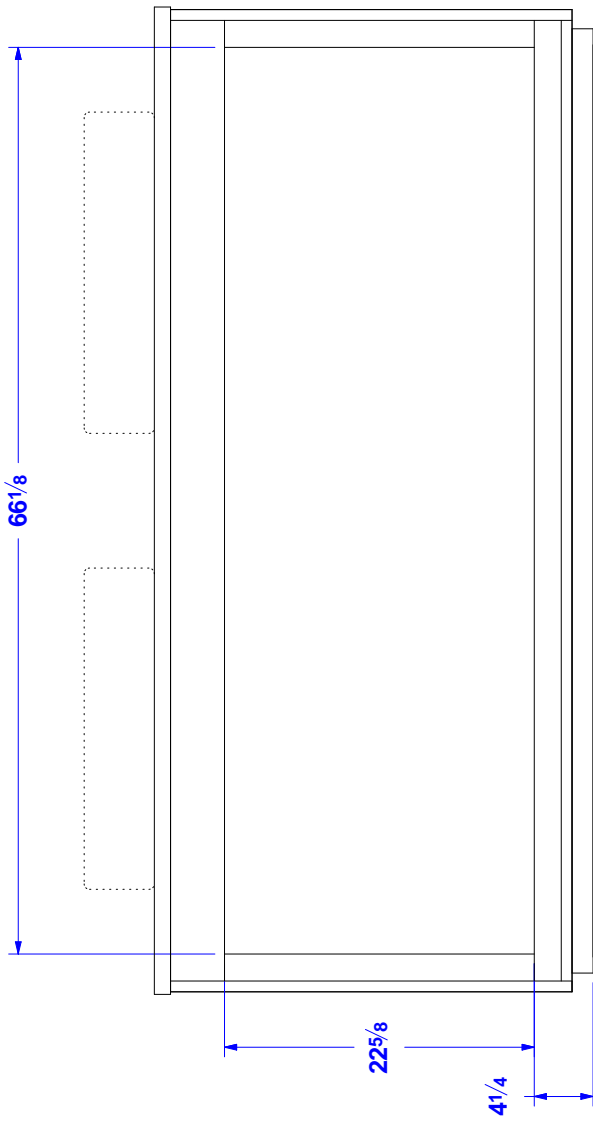
TOP VIEW



FRONT VIEW

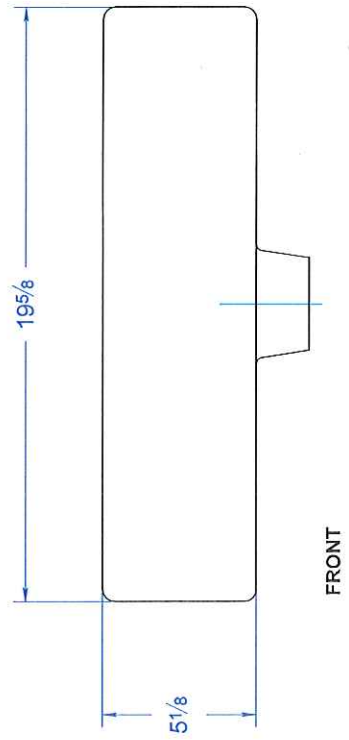
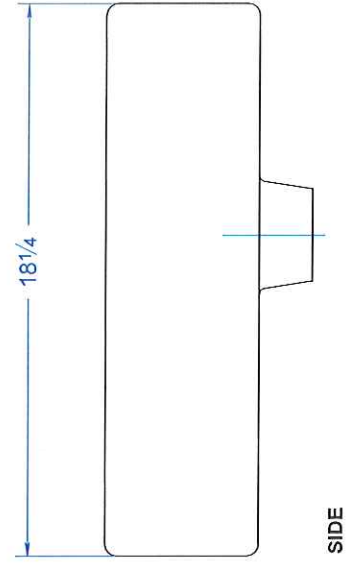
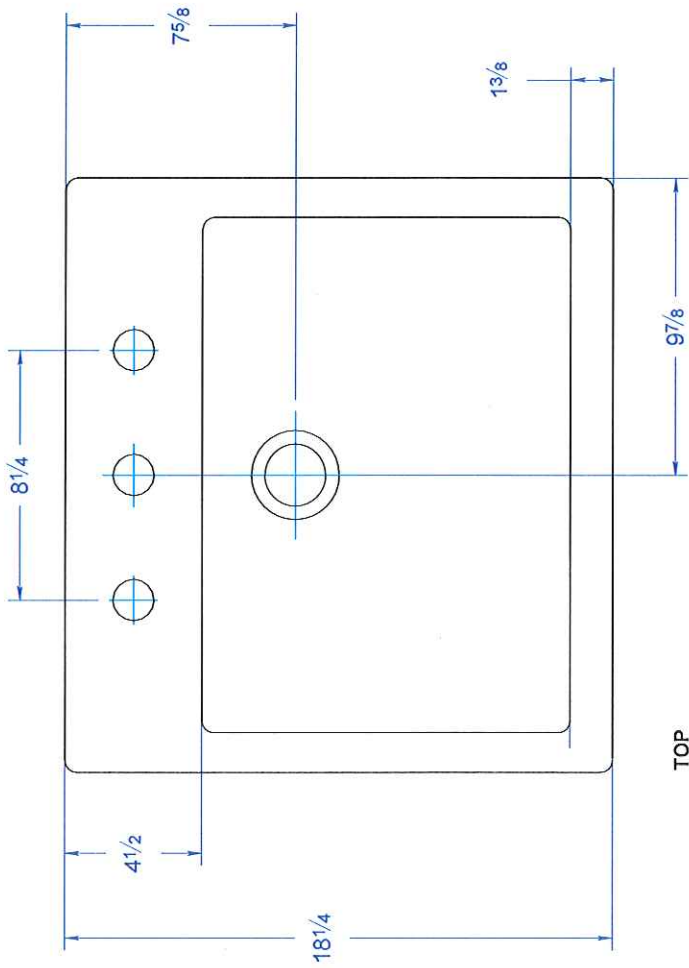


SIDE VIEW



BACK VIEW

DURAVIT: SMALL DECK MOUNT VESSEL



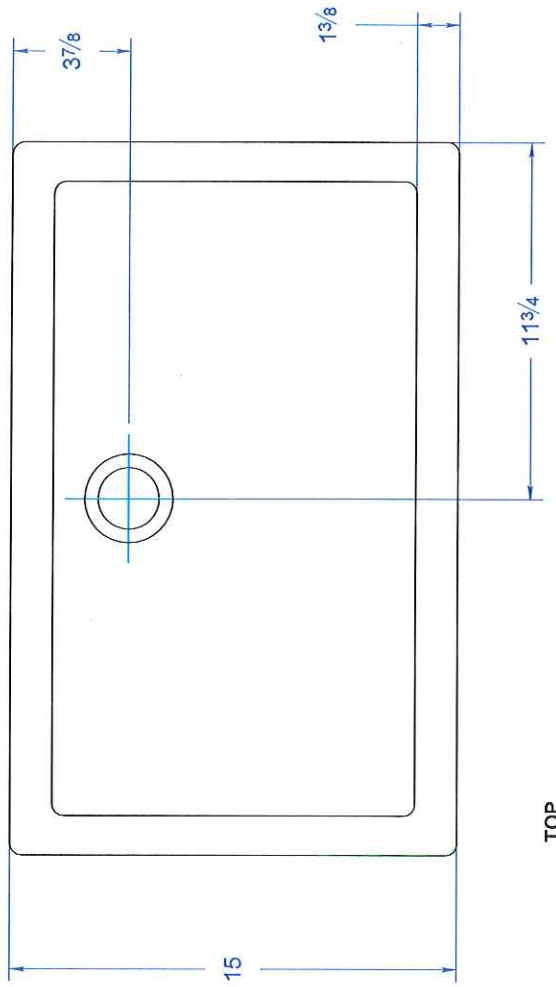
TOP

FRONT

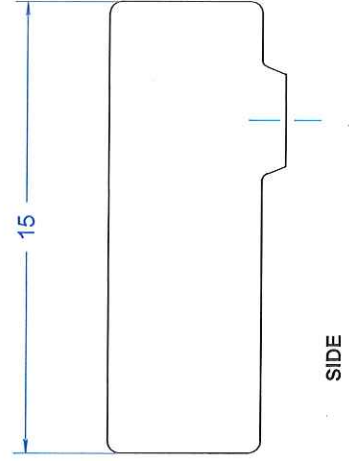
SIDE



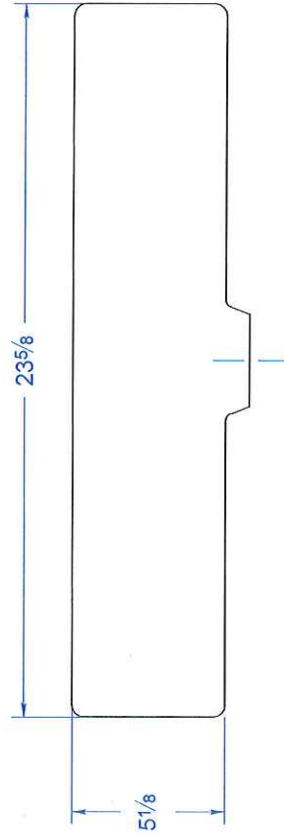
DURAVIT: LARGE WALL MOUNT VESSEL



TOP



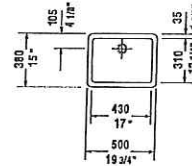
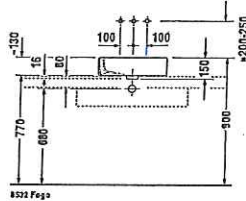
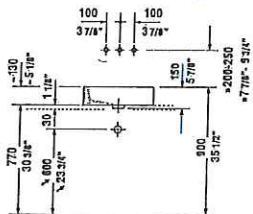
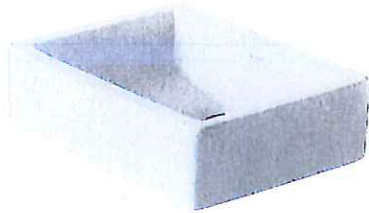
SIDE



FRONT

Washbowl # 045550..00

|< 19 5/8" Inch >|

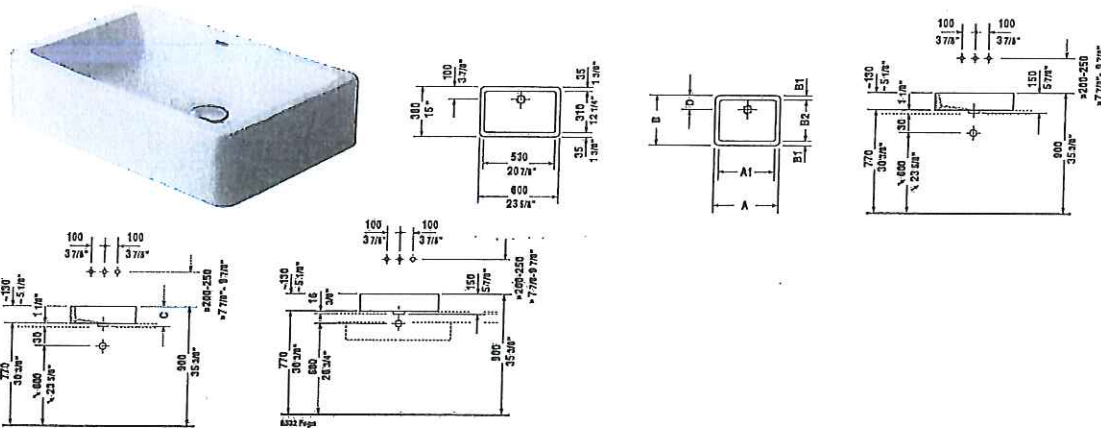


Washbowl	Dimension	Weight	Order number
ground, without overflow, without tap platform, fixings included, 19 5/8" Inch			
<b>Colors</b>			
00 White 08 Black			
<b>Variant</b>			
	19 5/8" x 15" Inch		045550..00
Sanitary ceramics with the special WonderGliss surface finish will remain clean and attractive-looking for a long time to come. When ordering WonderGliss please add a "1" as eleventh digit to the model number.			
Design Siphon		3.3 lb	005036
Slotted waste	2" Inch	0.7 lb	005024

All drawings contain the necessary measurements which are subject to standard tolerances. They are stated in Inch & mm and are non-binding. Exact measurements, in particular for customized installation scenarios, can only be taken from the finished ceramic piece.

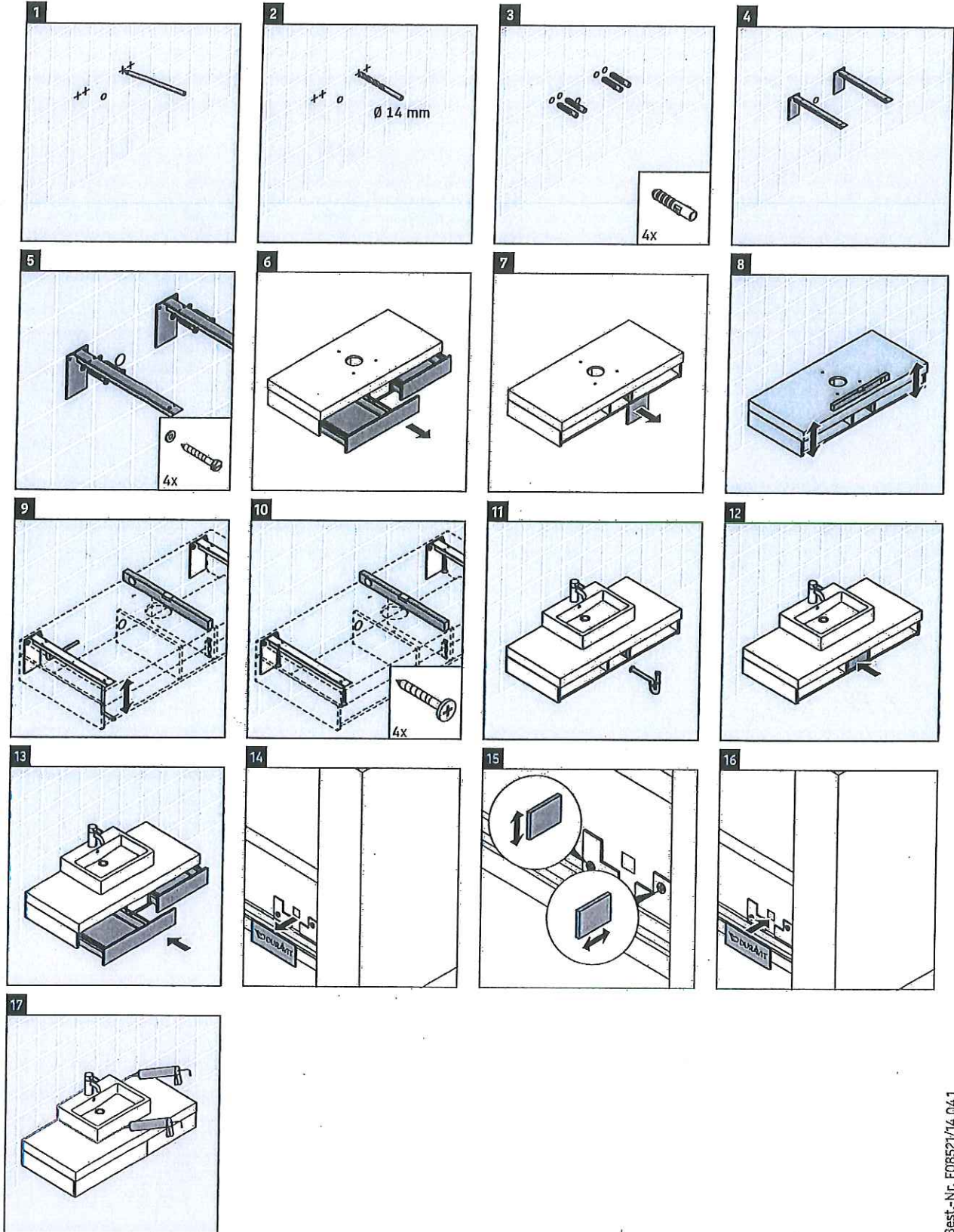
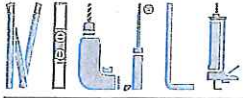
Washbowl # 0455600000

| < 23 5/8" Inch > |



Washbowl	Dimension	Weight	Order number
ground, CUPC listed, without overflow, without tap platform, fixings included, 23 5/8" Inch			
Colors			
00 White			
Variant			
☒	23 5/8" x 15" Inch	31.2 lb	0455600000
Sanitary ceramics with the special WonderGliss surface finish will remain clean and attractive-looking for a long time to come. When ordering WonderGliss please add a "1" as eleventh digit to the model number.			
Design Siphon		3.3 lb	005036
Slotted waste	2" Inch	0.7 lb	005024

All drawings contain the necessary measurements which are subject to standard tolerances. They are stated in inch & mm and are non-binding. Exact measurements, in particular for customized installation scenarios, can only be taken from the finished ceramic piece.



Best.-Nr. F08521/14.04.1