

RESTORATION HARDWARE

BAYONNE SINGLE-ROD INSTALLATION INSTRUCTIONS

TOOLS REQUIRED FOR INSTALLATION (NOT PROVIDED)

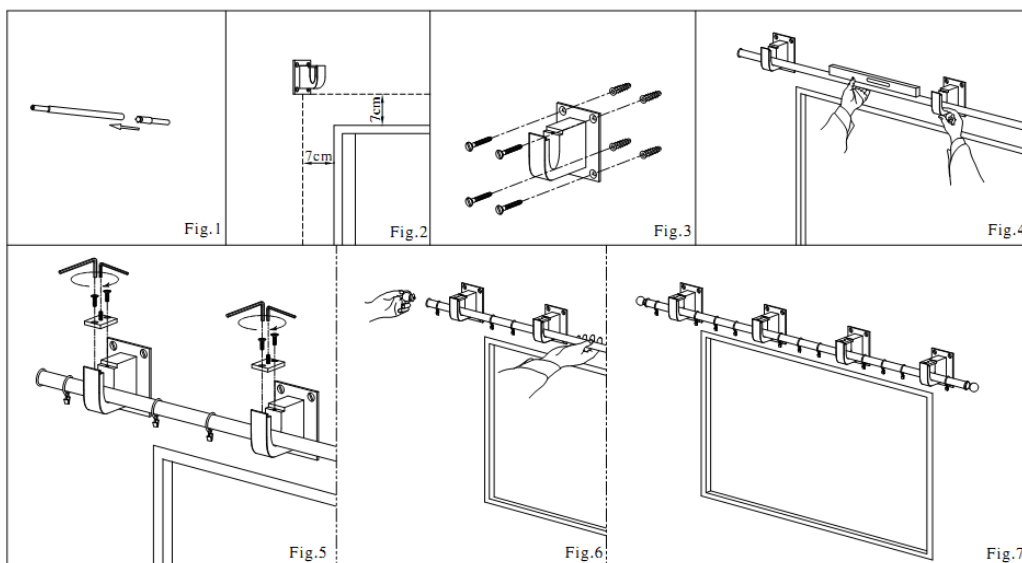
- Installation on Wood Molding or Wood Studs
 - Screwdriver, level, tape measure, pencil, power drill and 1/4"(6.5mm) drill bit.
- Installation on Wallboard
 - Screwdriver, level, tape measure, pencil, power drill and self-drilling anchors.
- Installation in Concrete, Stone, Brick or Tile
 - Screwdriver, level, tape measure, pencil, masonry drill, appropriate anchors, plugs or screws.
- Installation in Drywall
 - Installation instructions included with the anchor in separate hardware pack.

GETTING STARTED

- Remove hardware from the packaging.
- Do not dispose of packaging until the installation is complete.
- Read through the instructions entirely before starting. Measure the required width, enclosed connector screw is used to join two lengths of pole and fits inside them.
- Ensure all parts indicated on packaging are present, plus 4 screws per bracket and an Allen wrench.
- Ensure all tools and all necessary supplementary hardware are on hand before starting.

ASSEMBLY INSTALLATION

1. For the 88"-126" rod, attach the two rods so that the thicker portion of the rod is in the center. (See Fig. 1)
2. Determine the appropriate location for the rod. It is recommended that the outside brackets be installed a minimum of 2.5"(7cm) above the window. If the length of the rods exceeds 60", one center bracket is necessary. If the length of the rods exceeds 120", two center brackets are necessary. All the brackets need to be installed at the same level. (See Fig.1)
The height of the rod should be calculated by:
 - A. Measuring the length of the drapery panel.
 - B. Considering use of rings or rod pocket.
 - C. Deciding if you want excess drapery panel on the floor, hem of drapery touching the floor or hem hanging slightly above the floor.
3. Mark the appropriate location of each bracket with a pencil. Pre-drill the screw holes using a 1/4"(6.5mm) drill bit. End bracket is installed by first removing the cover plate from the top of the bracket by using the included Allen wrench to loosen the flat-head set-screw. Then mount the bracket on the wall at the desired height. After securely installing the first bracket, place the rod in the bracket, and extend rod to the location of the second bracket. Using a level, determine proper height of second bracket to ensure that rod will be installed level. Mark the height and install the second bracket. (See Fig 2, 3&4)
4. Start with the 3/4" bracket back rod. If drapery is rod pocket, feed the drapery onto the rod through the drapery's pocket, and then place the rod into the brackets. If using rings, place the rings on rod before hanging drapery. Once the rod is in the brackets, attach the end cap finials on both ends of the rod. If using rings, one ring should rest between the bracket and finial on each end. The finials should rest outside the bracket. (See Fig. 5&6)
5. Use the included wrench to tighten the flat-head set-screws at the top of the bracket to hold the rod in place. (See Fig. 7)



IMPORTANT: It is highly recommended that the bracket be attached to a structural wood support, such as molding around the window, or wooden studs within the walls. The enclosed screws are designed for that purpose. If the studs within the wall are metal, you must pre-drill into the metal stud and use sheet metal screws.

RESTORATION HARDWARE

CONNECTOR SCREW INSTALLATION INSTRUCTIONS

ASSEMBLY INSTALLATION

Enclosed connector screw should be used if you need to connect two or more rods. Please follow below steps to assembly the rods.

1. Use the included Allen Wrench to tight the connector screw into the end of the rod. (see Fig 1)

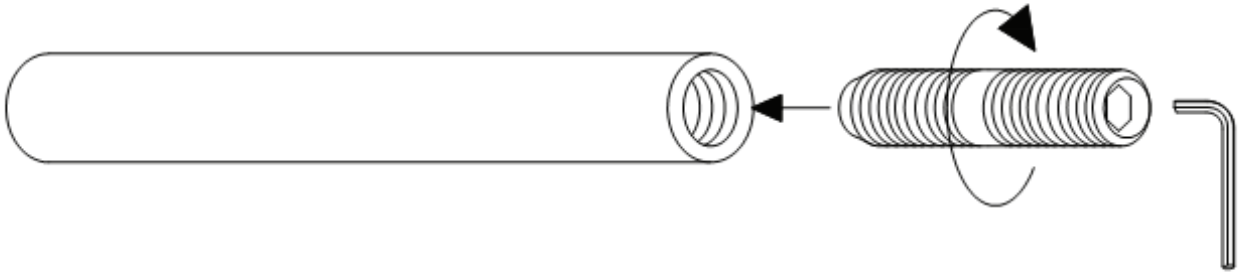


Fig 1

2. Hold the rod with connector screw attached, insert the exposed connector screw into the additional rod and twist to tighten. (see Fig 2)

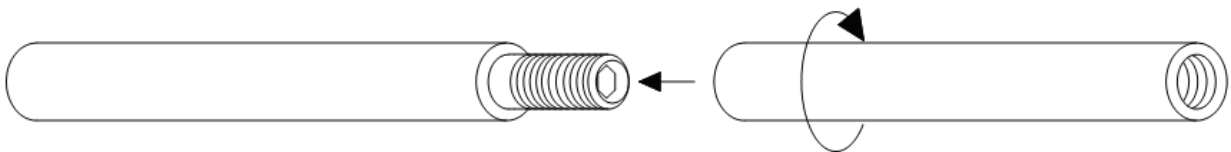


Fig 2