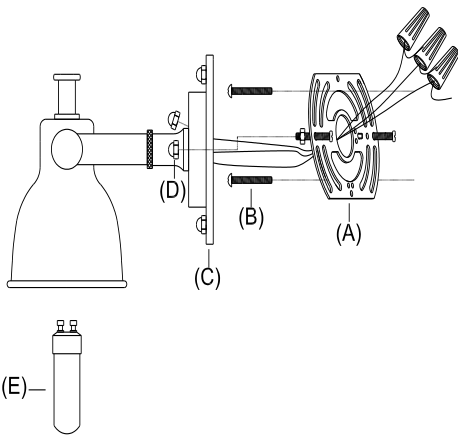


# RESTORATION HARDWARE

## WITT ADJUSTABLE SCONCE

### PARTS ENCLOSED

- (A) Mounting Plate (1)
- (B) Mounting Screws (2)
- (C) Fixture Base (1)
- (D) Base Screws (2)
- (E) Light Bulb (1)



### IMPORTANT SAFETY INSTRUCTIONS:

WE RECOMMEND INSTALLATION BY A LICENSED ELECTRICIAN.

This fixture has been rated for one (1) 35-watt maximum TYPE T (E) (included). To avoid the risk of fire, do not exceed the recommended wattage.

Lighted lamp is HOT:

WARNING- This lighting fixture contains lead, a chemical known to the State of California to cause cancer, birth defects and other reproductive harm. Wash hands after installing, handling, cleaning or otherwise touching this light fixture. To reduce the risk of FIRE, ELECTRIC SHOCK, EXPOSURE TO EXCESSIVE UV RADIATION, OR INJURY TO PERSONS.

### SAVE THESE INSTRUCTIONS:

1. Turn off/ unplug and allow to cool before replacing bulb (lamp).
2. Bulb (lamp) gets HOT quickly! Only contact switch/plug when turning on.
3. Do not touch hot lens.
4. Do not remain in light if skin feels warm.
5. Do not look directly at lighted lamp.
6. Keep lamp away from materials that may burn.
7. Use only with a 35 watt or smaller bulb (lamp).
8. Do not touch the bulb (lamp) at any time. Use a soft cloth. Oil from skin may damage bulb (lamp).

### TO ASSEMBLE:

1. SHUT OFF THE MAIN ELECTRICAL SUPPLY FROM THE MAIN FUSE BOX/CIRCUIT BREAKER!
2. Carefully remove all parts from the box and remove all plastic covering.
3. Remove Mounting Plate (A) from Fixture Base (C) by removing Base Screws (D).
4. Affix Mounting Plate (A) to wall outlet box with Mounting Screws (B) provided.
5. Gently pull the wiring from the wall outlet box and allow the wires to hang. Thread the wires through the center hole in the Mounting Plate (A).
6. Carefully inspect the lantern's two fixture wires. One has very fine ridges molded into the plastic covering – this is the NEUTRAL WIRE. The second wire's covering is smooth – this is the HOT WIRE. The bare wire is the GROUND WIRE.
7. Connect the GROUND WIRE from the fixture with the ground wire (usually bare) from your ceiling box using a wire nut. If your house does not have ground wire, then attach the GROUND WIRE from the fixture to the green grounding screw inside of the outlet box. IT IS IMPERATIVE THAT THE OUTLET BOX IN YOUR HOME BE PROPERLY GROUNDED.
8. Connect the NEUTRAL WIRE from your fixture with the Neutral wire (usually white) from your ceiling box using a wire nut.
9. Connect the HOT WIRE from your fixture with the hot wire (usually black) from your outlet box using a wire nut. DO NOT REVERSE THE HOT AND NEUTRAL CONNECTIONS OR SAFETY WILL BE COMPROMISED.
10. Attach Fixture Base (C) to Mounting Plate (A), letting the rods on mounting plate (A) pass through the holes on fixture base (C) and secure with Base Screws (D).
11. Insert recommended Light Bulb (E) (included) into socket.
12. Restore power to outlet box and check operation of fixture.
13. Assembly is complete.

### CARE INSTRUCTIONS:

Avoid the use of all polishers, cleaners, and abrasives, as they will damage the finish of your lamp. To remove dust or fingerprints, wipe gently with a soft, clean cloth.