

CANNELE LINEAR CHANDELIER 67"

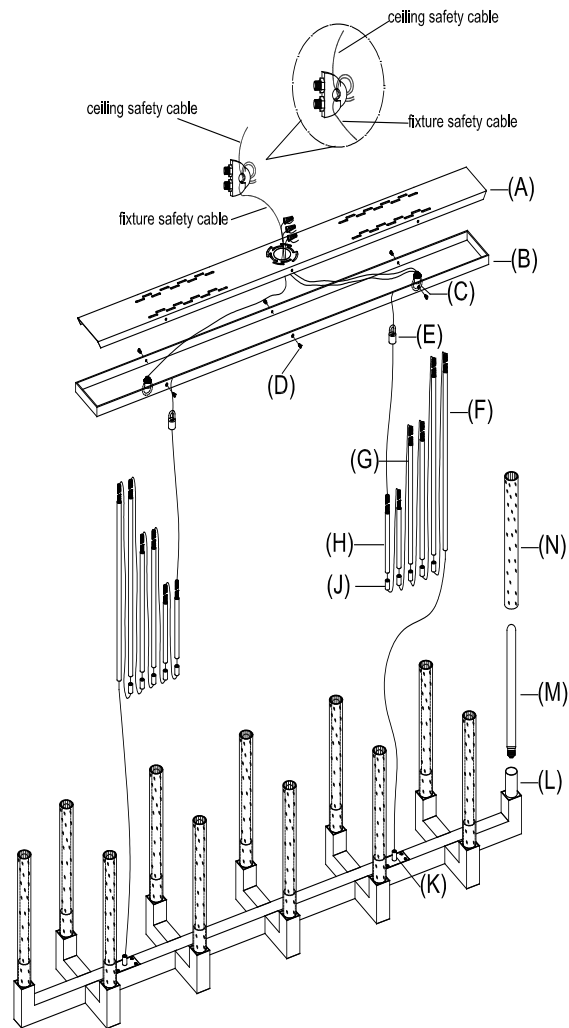
PARTS ENCLOSED

- (A) Mounting Plate (1)
- (B) Canopy (1)
- (C) Mounting Loops (2)
- (D) Canopy Screws (6)
- (E) Hanging Loops (2)
- (F) 18" Connection Rods (4)
- (G) 12" Connection Rods (4)
- (H) 6" Connection Rods (4)
- (J) Connective Tubes (10)
- (K) Connective Rods (2)
- (L) Sockets (12)
- (M) Bulbs (12)
- (N) Glass Tubes (12)

SAFETY CABLE

ASSEMBLY

1. Join fixture safety cable with safety cable from ceiling.
2. Wrap both safety cables around the cable lock nut.
3. Secure by tightening both hex nuts until tight.



CANNELE LINEAR CHANDELIER 67"

IMPORTANT SAFETY INSTRUCTIONS

INSTALLATION BY A LICENSED ELECTRICIAN IS STRONGLY RECOMMENDED.

This fixture has been rated for up to twelve (12) 40-Watt maximum Type T bulbs (M) (included) or twelve (12) 9-Watt compact fluorescent light bulbs (not included) To avoid the risk of fire, do not exceed the recommended wattage.

WARNINGS

All wires are connected. When unpacking, be careful not to pull wires, as a bad connection may result. Do not connect electricity until your fixture is fully assembled. To reduce the risk of fire, electrical shock, or personal injury, always turn off fixture and allow it to cool prior to replacing the light bulb. Do not touch or look directly at the bulb when fixture is illuminated. Keep flammable materials away from lit bulb.



WARNING: This product can expose you to lead, which is known to the State of California to cause cancer and birth defects or other reproductive harm. For more information, go to www.P65Warnings.ca.gov.

THIS IS NOT A TOY AND THE PRODUCT HAS NO PLAY VALUE.



WARNING: STRANGULATION HAZARD

Keep cord at least 3 ft away from cribs, bassinets, and toddler beds. Keep out of reach of children under 3.

ASSEMBLY & INSTALLATION

SHUT OFF THE MAIN ELECTRICAL SUPPLY FROM THE FUSE BOX OR CIRCUIT BREAKER PANEL.

- Carefully remove all parts from the box and remove all plastic covering.
- Determine the hanging length of chandelier. Connect Connective Rod (K) to some or all Connection Rods (F) (G) (H) and Connective Tubes (J) according to the height needed.
- Thread Hanging Loop (E) onto the inner connection rod of the top cord cover.

ASSEMBLY & INSTALLATION CONT.

- Hook Hanging Loop (E) to Mounting Loop (C).
- Remove Mounting Plate (A) from Canopy (B) by removing Canopy Screws (D).
- Attach Mounting Plate (A) to ceiling and secure with mounting screws (not included) and more proper fasteners from your local hardware store.
- Feed wires through the Connection Rods, Hanging Loop (E) Mounting Loop (C) and Canopy (B).
- Connect the safety steel wire from the fixture and the safety cable from ceiling. Refer to the illustration.
- Carefully inspect the chandelier's two fixture wires. One has very fine ridges molded into the plastic covering – this is the NEUTRAL WIRE. The second wire's covering is smooth – this is the HOT WIRE. The bare wire is the GROUND WIRE.
- Connect the GROUND WIRE from the fixture with the ground wire (usually bare) from your ceiling box using a wire nut. If your house does not have ground wire, then attach the GROUND WIRE from the fixture to the green grounding screw inside of the outlet box. IT IS IMPERATIVE THAT THE OUTLET BOX IN YOUR HOME BE PROPERLY GROUNDED.
- Connect the NEUTRAL WIRE from your fixture with the Neutral wire (usually white) from your ceiling box using a wire nut.
- Connect the HOT WIRE from your fixture with the hot wire (usually black) from your outlet box using a wire nut. DO NOT REVERSE THE HOT AND NEUTRAL CONNECTIONS; OTHERWISE, SAFETY WILL BE COMPROMISED.
- Attach Canopy (B) with light fixture to affixed Mounting Plate (A) and secure with Canopy Screws (D).
- Insert the recommended light bulbs (included) into the Sockets (L).
- Slide Glass Tubes (N) onto Sockets (L).
- Assembly is complete.

CARE INSTRUCTIONS

Do not use polishes or cleaners on your lamp. Just wipe clean with a soft cloth.