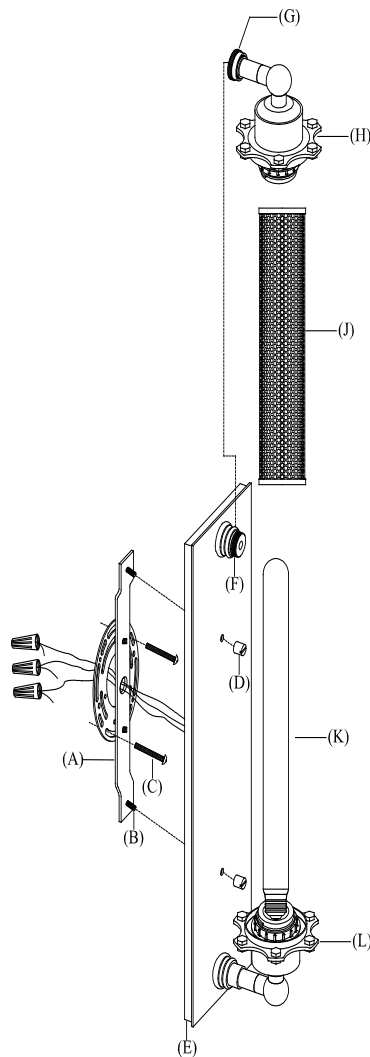


GRAND EDISON PERFORATED METAL SCONCE

PARTS ENCLOSED

- (A) Mounting Plate (1)
- (B) Threaded Rods (2)
- (C) Mounting Screws (2)
- (D) Cap Nuts (2)
- (E) Fixture Base (1)
- (F) Threaded Joint (1)
- (G) Screw Collar (1)
- (H) Top Cap (1)
- (J) Metal Shade (1)
- (K) Bulb (1)
- (L) Socket Housing (1)



GRAND EDISON PERFORATED METAL SCNCE

IMPORTANT SAFETY INSTRUCTIONS

INSTALLATION BY A LICENSED ELECTRICIAN IS STRONGLY RECOMMENDED.

This fixture has been rated for one (1) 40-Watt maximum TYPE T bulb (K) (included) OR one (1) 9-Watt compact fluorescent bulbs (not included). To avoid the risk of fire, do not exceed the recommended wattage.

WARNINGS

All wires are connected. When unpacking, be careful not to pull wires, as a bad connection may result. Do not connect electricity until your fixture is fully assembled. To reduce the risk of fire, electrical shock, or personal injury, always turn off fixture and allow it to cool prior to replacing the lightbulb. Do not touch or look directly at the bulb when fixture is illuminated. Keep flammable materials away from lit bulb.



WARNING: This product can expose you to lead, which is known to the State of California to cause cancer and birth defects or other reproductive harm. For more information, go to www.P65Warnings.ca.gov.

THIS IS NOT A TOY AND THE PRODUCT HAS NO PLAY VALUE.



WARNING: STRANGULATION HAZARD

Keep cord at least 3 ft away from cribs, bassinets, and toddler beds. Keep out of reach of children under 3.

ASSEMBLY & INSTALLATION

SHUT OFF THE MAIN ELECTRICAL SUPPLY FROM THE FUSE BOX OR CIRCUIT BREAKER PANEL.

1. Carefully remove all parts from the box and remove all plastic covering.
2. Remove Mounting Plate (A) from Fixture Base (E) by removing Cap Nuts (D).
3. Affix Mounting Plate (A) to wall outlet box with Mounting Screws (C) provided.
4. Gently pull the wiring from the wall outlet box and allow the wires to hang. Thread the wires through the center hole in the Mounting Plate (A).
5. Attach the fixture ground wire and house ground wire (usually green) to wall outlet box with the green grounding screw. Connect fixtures to corresponding house wire with a wire nut. Carefully tuck the wires back into the outlet box. IT IS IMPERATIVE THAT THE OUTLET BOX IN YOUR HOME BE PROPERLY GROUNDED.
6. Connect both neutral wires (WHITE) to the neutral outlet wire (usually white) with a plastic wire connector and wrap the connection with electrical tape.
7. Connect both hot wires (BLACK) to the hot outlet box wire (usually black) with a plastic wire connector and wrap the connection with electrical tape. DO NOT REVERSE THE HOT AND NEUTRAL CONNECTIONS; OTHERWISE, SAFETY WILL BE COMPROMISED.
8. Attach Fixture Base (E) to Mounting Plate (A). Push the Threaded Rods (B) on Mounting Plate (A) through the holes on Fixture Base (E) and secure with Cap Nuts (D).
9. Insert Bulb (K) into socket.
10. Place Glass Shade (G) onto the Socket Housing (L) and carefully place the Top Cap (H) on top of the Glass Shade (J). Hand screw the Screw Collar (G) to the Threaded Joint (F) until tight.
11. Restore power to outlet box and check operation of fixture.
12. Assembly is complete.

CARE INSTRUCTIONS

Do not use polishes or cleaners on your lamp. Just wipe clean with a soft cloth.