

# RESTORATION HARDWARE

## DELANO SHAGREEN RECTANGLE LAMP

### PARTS ENCLOSED:

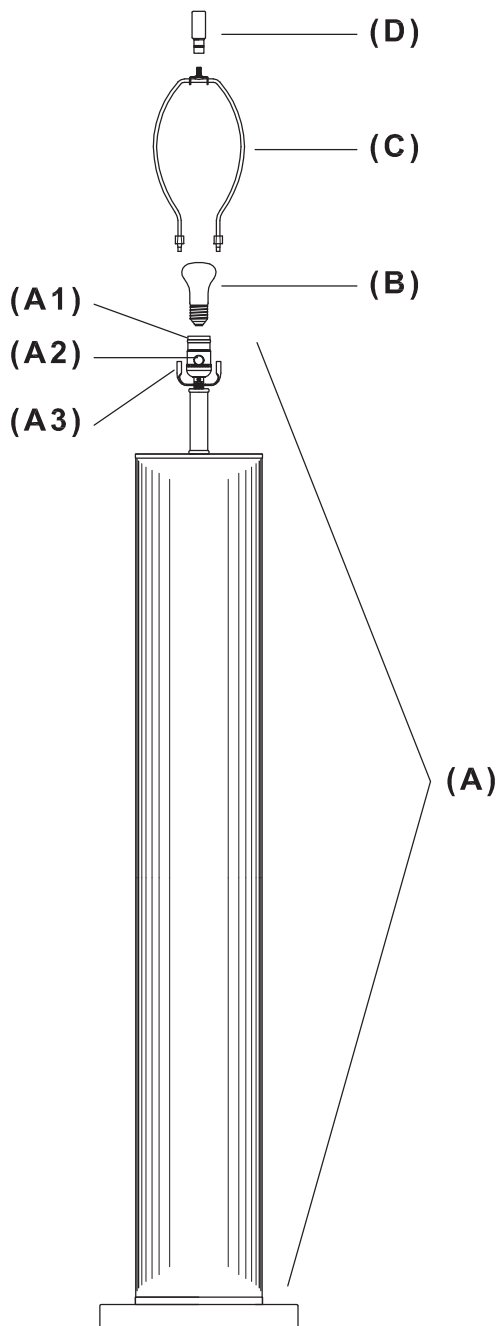
- (A) Floor lamp body - 1 pc.
- (B) CFL Bulb - 1 pc.
- (C) Harp - 1 pc.
- (D) Finial - 1 pc.

### IMPORTANT SAFETY INSTRUCTIONS:

- 1.) Always use recommended bulb wattage.
- 2.) Unplug this lamp before cleaning.

### WARNINGS:

- 1.) Do not lift or move the lamp using the upper part (harp and socket) . Always grasp or hold using the lamp body or the base upon moving this lamp.



### TO ASSEMBLE:

- 1.) Carefully unpack the contents of the carton.
- 2.) Make sure all packing materials have been removed from the lamp.
- 3.) Locate the harp (C). Grasp with your hands and put it to the saddle (A3) which locate below the socket (A1). Be sure that the harp (C) will set properly to the saddle (A3) and slide the lock of the harp (C) to the saddle (A3).
- 4.) Insert the light bulb (B) to the socket by turning it clockwise direction.
- 5.) If you have an alternative shade, place it onto the harp (C). **NOTE: Please see the tag about the alternative shade.**
- 7.) Secure the alternative shade to the harp (C) by the finial (D). Please turn the finial (D) to the clockwise direction also.

### OPERATION:

The lamp is turned on and off with the switch knob (A2) on the socket base .

### CARE INSTRUCTIONS:

Clean with soft, damp cloth, do not use harsh chemical and abrasive cleaning materials.