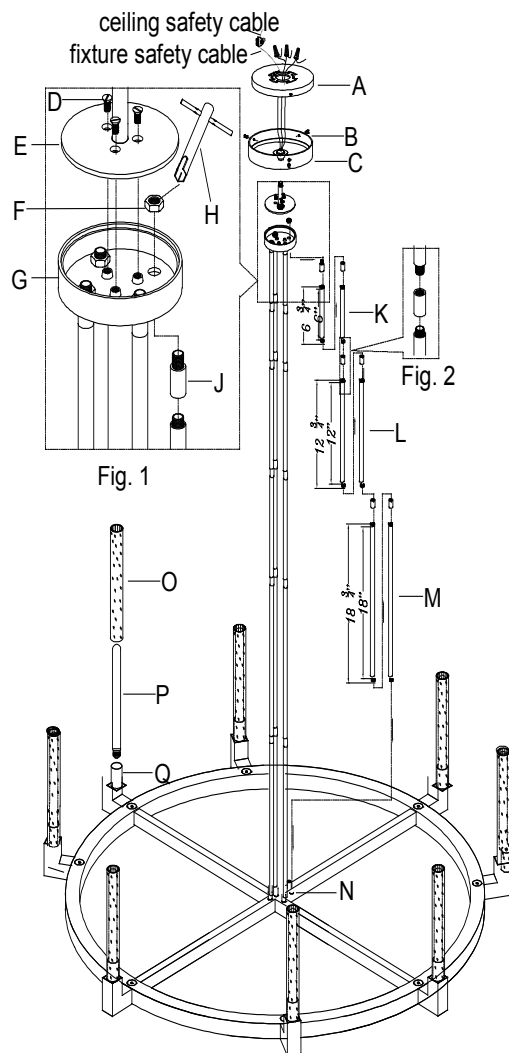


CANNELE ROUND CHANDELIER 48"

PARTS ENCLOSED

- (A) Mounting Plate (1)
- (B) Canopy Screws (3)
- (C) Canopy (1)
- (D) Flathead Screws (3)
- (E) Flat Disk (1)
- (F) Hex Nuts (4)
- (G) Wiring Box (1)
- (H) T Wrench (1)
- (J) Rod Connectors (4)
- (K) 6" Rod w/ Connectors (8)
- (L) 12" Rod w/ Connectors (8)
- (M) 18" Rod w/ Connectors (8)
- (O) Glass Tubes (8)
- (P) Bulbs (8)
- (Q) Sockets (8)



SAFETY CABLE

ASSEMBLY

1. Join fixture safety cable with safety cable from ceiling.
2. Wrap both safety cables around the cable lock nut.
3. Secure by tightening both hex nuts until tight.

CANNELE ROUND CHANDELIER 48"

IMPORTANT SAFETY INSTRUCTIONS

INSTALLATION BY A LICENSED ELECTRICIAN IS STRONGLY RECOMMENDED.

This fixture has been rated for up to (8) 40-Watt maximum Type T bulbs (P) (included) or (8) 9-Watt compact fluorescent light bulbs (not included). To avoid the risk of fire, do not exceed the recommended wattage.

WARNINGS

All wires are connected. When unpacking, be careful not to pull wires, as a bad connection may result. Do not connect electricity until your fixture is fully assembled. To reduce the risk of fire, electrical shock, or personal injury, always turn off fixture and allow it to cool prior to replacing the light bulb. Do not touch or look directly at the bulb when fixture is illuminated. Keep flammable materials away from lit bulb.



WARNING: This product can expose you to lead, which is known to the State of California to cause cancer and birth defects or other reproductive harm. For more information, go to www.P65Warnings.ca.gov.

THIS IS NOT A TOY AND THE PRODUCT HAS NO PLAY VALUE.



WARNING: STRANGULATION HAZARD

Keep cord at least 3 ft away from cribs, bassinets, and toddler beds. Keep out of reach of children under 3.

ASSEMBLY & INSTALLATION

SHUT OFF THE MAIN ELECTRICAL SUPPLY FROM THE FUSE BOX OR CIRCUIT BREAKER PANEL.

- Carefully remove all parts from the box and remove all plastic covering.
- Determine the hanging length of chandelier. Connect Connection Rods (K) to one or two sets of Connection Rods (L) and Connective Rods (M) according to the height needed.
- Remove Mounting Plate (A) from Canopy (C) by unscrewing Canopy Screws (B).
- Unscrew Wiring Box (G) with rod from Canopy (C) by turning in counter-clockwise direction.
- Detach Flat Disk (E) with rod on top from Wiring Box (G) by removing Flathead Screws (D).
- Loosen Hex Nuts (F) inside of Wiring Box (G) by using T Wrench (H) provided.

ASSEMBLY & INSTALLATION CONT.

- Connect 3 sets of longest Connection Rods (M) to the connectors (N) in middle of the fixture. Follow with Connection Rods (L), shortest Connection Rods (K) and connectors (J), and tighten Hex nuts (F) with T Wrench (H) provided.
- Feed wires through the fourth sets of Connection Rods (M) (L) (K) and Connectors (J); letting wires come out from the inside of Wiring Box (G). Connect the Rods and Connector (J). Tighten the Hex Nut (F) with T wrench (H) provided.
- Attach Mounting Plate (A) to ceiling and secure with mounting screws (not included) and proper fasteners from your local hardware store.
- Feed wires through the rod on top of Flat Disk (E) and Canopy (C).
- Replace the Flat Disk (E) to Wiring Box (G) and secure with Flathead Screws (D).
- Thread the rod on top of Flat Disk (E) to bottom of Canopy (C). Tighten by hand.
- Connect the safety steel wire from the fixture and the safety cable from ceiling. Refer to the illustration.
- Carefully inspect the chandelier's two fixture wires. One has very fine ridges molded into the plastic covering – this is the NEUTRAL WIRE. The second wire's covering is smooth – this is the HOT WIRE. The bare wire is the GROUND WIRE.
- Connect the GROUND WIRE from the fixture with the ground wire (usually bare) from your ceiling box using a wire nut. If you house does not have ground wire, then attach the GROUND WIRE from the fixture to the green grounding screw inside of the outlet box. IT IS IMPERATIVE THAT THE OUTLET BOX IN YOUR HOME BE PROPERLY GROUNDED.
- Connect the NEUTRAL WIRE from your fixture with the Neutral wire (usually white) from your ceiling box using a wire nut.
- Connect the HOT WIRE from your fixture with the hot wire (usually black) from your outlet box using a wire nut. DO NOT REVERSE THE HOT AND NEUTRAL CONNECTIONS; OTHERWISE, SAFETY WILL BE COMPROMISED.
- Attach Canopy (C) with light fixture to the affixed Mounting Plate (A) and secure with Canopy Screws (B).
- Insert Bulbs (P) into the Sockets (Q).
- Carefully slide Glass Tubes (O) onto Sockets (Q).
- Assembly is complete.

CARE INSTRUCTIONS

Do not use polishes or cleaners on your lamp. Just wipe clean with a soft cloth.