

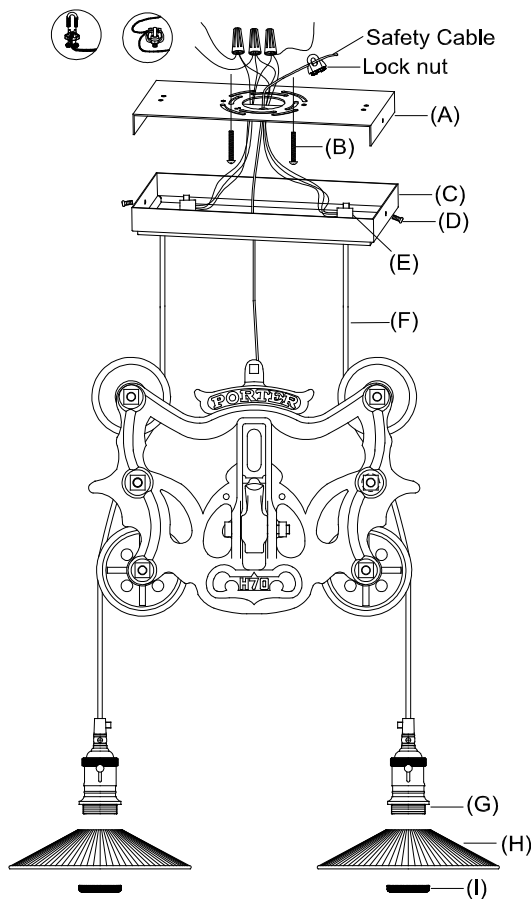
RESTORATION HARDWARE

Thank you for purchasing Restoration Hardware Lighting. Our assortment is crafted with the highest quality details in mind and each collection is clad in one of our signature finish options. Each item's surface is sealed which eliminates the need for polishing and ensures the lasting brilliance of your piece for years to come.

PARTS ENCLOSED

- (A) Mounting Plate (1)
- (B) Mounting Screws (2)
- (C) Canopy Base (1)
- (D) Base Screws (2)
- (E) Adjustment keys (2)
- (F) Cords (2)
- (G) Threaded Sockets (2)
- (H) Glass Shades (2)
- (I) Socket rings (2)

CAST IRON BARN DOOR TROLLEY PENDANT



IMPORTANT SAFETY INSTRUCTIONS:

WE RECOMMEND INSTALLATION BY A LICENSED ELECTRICIAN.

This fixture has been rated for up to two (2) 60-watt maximum Type A bulbs (not included). To avoid the risk of fire, do not exceed the recommended wattage.

WARNINGS:

1. This lighting fixture contains lead, a chemical known to the State of California to cause cancer, birth defects and other reproductive harm. Wash hands after installing, handling, cleaning or otherwise touching this light fixture.
2. Do not remove the lamp from its packaging by pulling on the power cord, as a bad connection may result.
3. Do not connect electricity until your lamp is fully assembled.
4. To reduce the risk of fire, electrical shock, or personal injury, always turn off and unplug lamp and allow it to cool prior to replacing light bulb.
5. Do not touch bulb when fixture is turned on or look directly at lit bulb.
6. Keep flammable materials away from lit bulb.

IMPORTANT: For a safe and secure installation, please ensure that the electrical box to which this fixture will be mounted is properly attached to a structural member of the building.

TO ASSEMBLE:

1. Carefully remove all parts from the box and remove all plastic covering.
2. Turn OFF the breaker to the junction box where the pendant will be installed.
3. Remove the mounting plate (A) from canopy base (C) by unscrewing base screws (D).
4. To determine the hanging length of the pendant, loosen set screws (E) at side of plastic block inside of canopy base (C), sliding the cords (F) to desired length, tighten the set screws (E).
5. Gently pull the wires from ceiling outlet box and allow the wire to hang. Thread the wires through the center hole of mounting plate (A).
6. Attach mounting plate (A) to ceiling outlet box and secure by inserting mounting screws (B).
7. Wrap both fixture safety cable and ceiling safety cable to lock nut and secure with nuts as shown.
8. Attach fixture grounding (green) and house grounding wire with to back plate the green screw. Connect fixture to corresponding house wire with a wire nut. Carefully tuck the wires back into the outlet box. IT IS IMPERATIVE THAT THE OUTLET BOX IN YOUR HOME BE PROPERLY GROUNDED.
9. Connect the neutral wire (white) to the neutral outlet wire (usually white) with a plastic wire connector and wrap the connection with electrical tape.
10. Repeat the procedure with the hot (black) wire to hot (usually black) outlet wire. Always make sure that no wire strands are left outside of the connections. DO NOT REVERSE THE HOT AND NEUTRAL CONNECTIONS OTHERWISE SAFETY WILL BE COMPROMISED.
11. Tuck these wire connections neatly into the ceiling outlet box.
12. Carefully attach the canopy base (C) to the ceiling outlet box and secure with base screws (D).
13. Remove socket rings (I) from threaded sockets (G), place the glass shades (H) over the sockets (G) and secure with socket rings (I).
14. Insert the recommended bulbs into sockets.
15. Assembly is complete.

CARE INSTRUCTIONS:

Wipe all surfaces with a soft dry cloth. Clean glass with a mild soap and water mixture. Do not use any harsh cleaners (including ammonia-based products) or abrasives, as they will damage the finish.