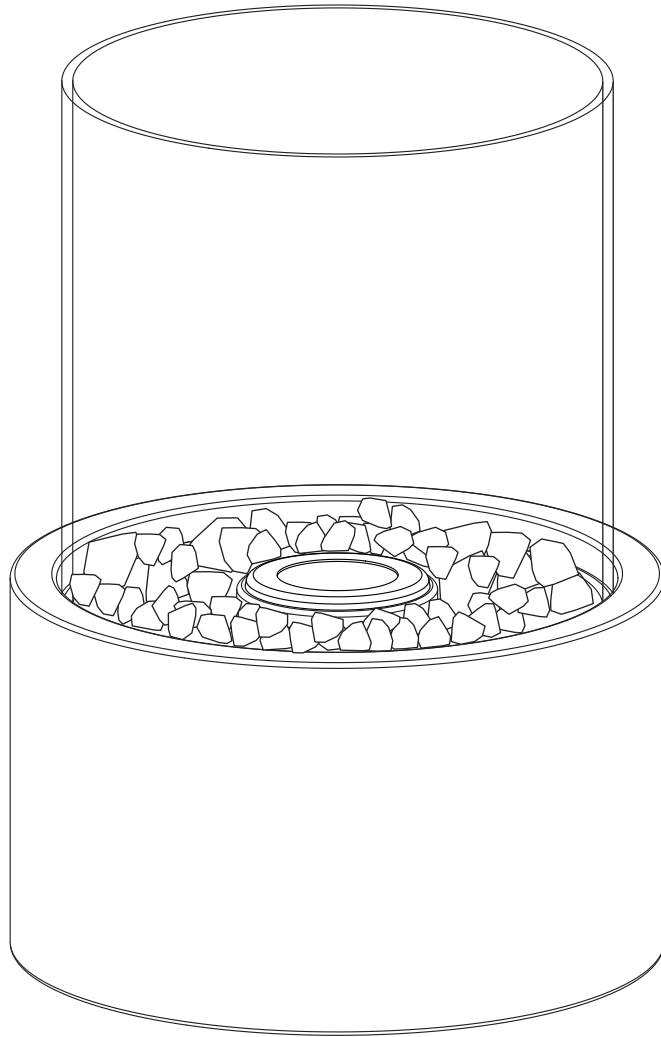


RESTORATION HARDWARE

WARNINGS



Style # 26100122

Laguna 14" Table Top Fire Column

1. **Risk of explosion**

- Do not attempt to pour gel on a fire that is already burning.
- Restoration Hardware recommends that only Real Flame[®] gel fuel be used with this product. Do not use with any other gel fuel or flammable material.
- Do not attempt to refill Gel can. Can is intended for single use only.
- Do not store or use gasoline or other flammable materials, including gel fuel, near this product. Vapors from these types of items may collect and increase the risk of fire, explosion or injury.
- In case of an emergency use a CO2 extinguisher or baking soda to extinguish the fire.

2. **Read entire label and instructions before using gel fuel.**

3. Keep away from children and pets. Unit is not to be operated by children.
4. Never leave a burning fire unattended, especially around children or pets.
5. When operating unit be sure that the material surrounding the fireplace is non-combustible and it is clear and free of all flammable materials.
6. Never touch unit during or after burning gel fuel. Base and glass surround may be extremely HOT. Allow base, glass and gel fuel cans to cool for 20 minutes before touching.
7. Make sure unit and gel fuel are burned on a flat and level surface. Avoid locations where it can be knocked over as contents may pour out.
8. Do not alter unit in any matter.
9. Do not wear flammable or loose clothing when using the unit.
10. Do not attempt to move or store the unit until 20 minutes after gel fuel has been extinguished.
11. Do not lean over unit when lighting or when in use.
12. Do not burn gel fuel outside designated burn area.
13. If above warnings are not followed correctly death, serious injury or property damage may result.

NOTICE: Buyer assumes all responsibility for safety and use that is not in accordance with instructions and warnings.

Using your Fire Column

- Unit can be used indoors or outdoors. There is no need for ventilation.
- Use extreme caution while burning. Some surfaces become extremely hot during use.
- Follow all instructions included with gel fuel before use.
- Before using unit, be sure you have read and understood the step-by-step instructions.
- During the initial burn you may experience a slight odor. Odor is temporary and will be absent on following burns.

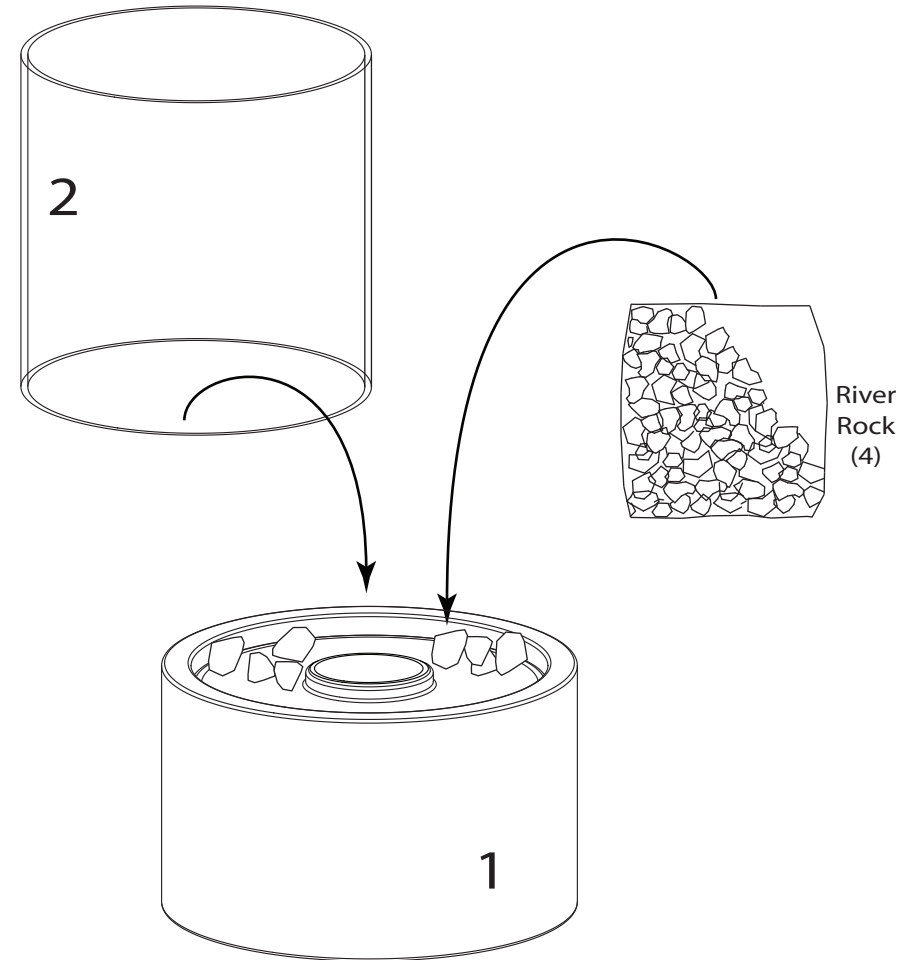
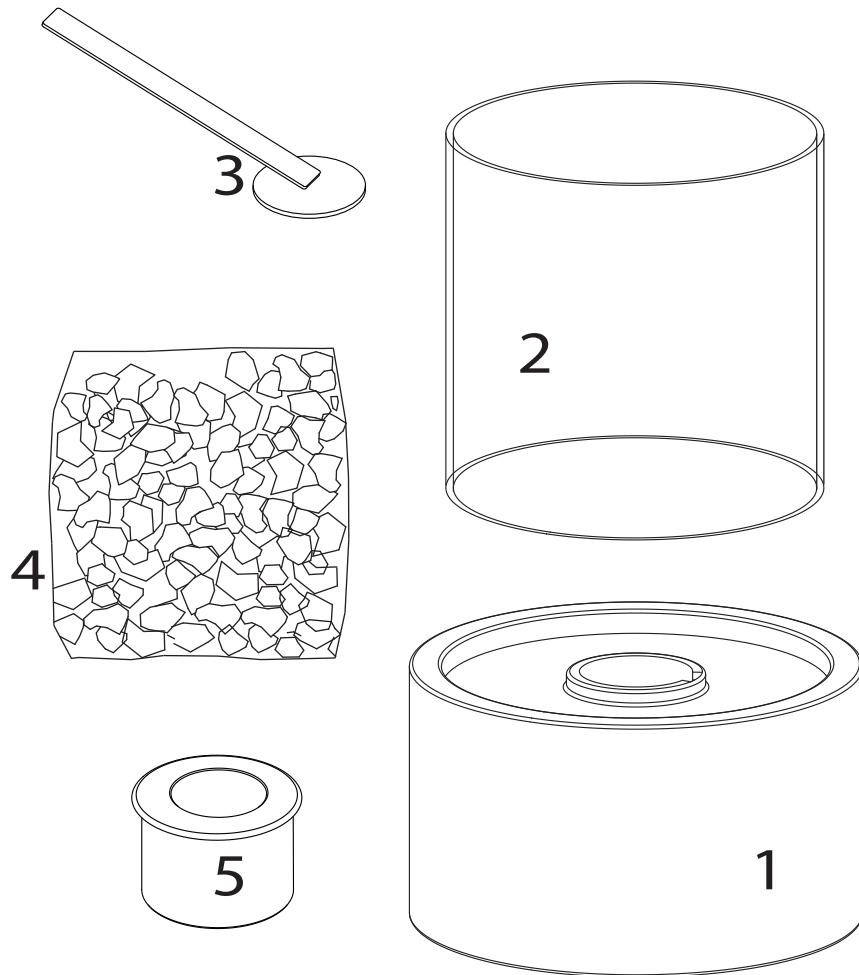
Parts List

Number	Description	Part Number	Quantity
1	Laguna Column	0804-01	1
2	Glass	0804-02	1
3	Snuffer	04342400	1
4	River Rock	0804-03	1 Bag
5	Burn Cup	0540	1

Step One

Place the Glass (2) on top of the Modesto Burner so that it fits securely inside the outer rim.

Place the river rock (4) around the can recess. Any rocks that fall in the recess must be removed prior to placing the can into the recess.



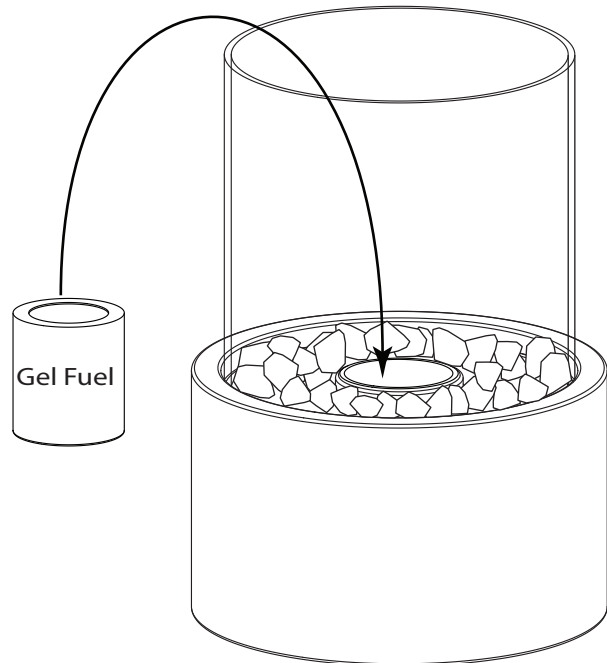
Fuel Use - Option 1

Preferred Method

After removing paper label from gel fuel can (sold separately), remove lid and place open can into the center recess. Set the lid aside.

WARNING: RISK OF EXPLOSION

- Do not attempt to pour gel on a fire that is already burning.
- Restoration Hardware recommends that Real Flame® 13oz. Gel Fuel cans be used for safe operation of this appliance. Do not use with any other gel fuel or flammable material.
- Do not attempt to refill Gel can. Can is intended for single use only.
- Do not store or use gasoline or other flammable materials, including gel fuel, near this product. Vapors from these types of items may collect and increase the risk of fire, explosion or injury.
- In case of an emergency use a CO2 extinguisher or baking soda to extinguish the fire.

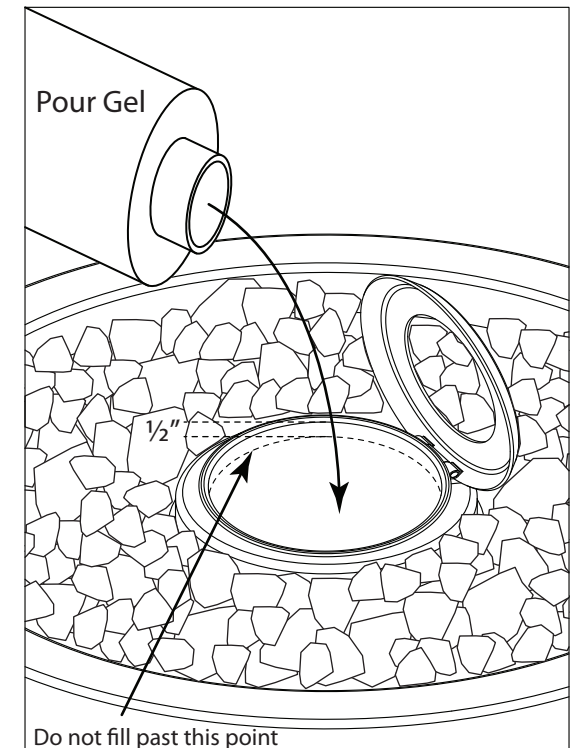
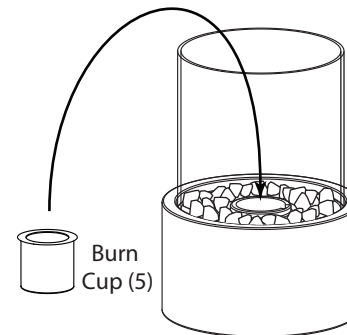


Fuel Use - Option 2

A burn cup is included for use with pourable gel fuel (sold separately). Place the burn cup into the recess in the center of the column. Fill the burn cup with gel fuel until it is approximately 1/2" below the rim of the cup. DO NOT overfill and cleanup any spills prior to lighting.

WARNING: RISK OF EXPLOSION

- Do not attempt to pour gel on a fire that is already burning.
- It is recommended that only Real Flame® gel fuel be used with this product. Do not use with any other gel fuel or flammable material.
- Do not store or use gasoline or other flammable materials, including gel fuel, near this product. Vapors from these types of items may collect and increase the risk of fire, explosion or injury.
- In case of an emergency use a CO2 extinguisher or baking soda to extinguish the fire.



Care and Cleaning

Real Flame Gel Fireplace Fuel cans are for single use only. Allow to cool for at least 20 minutes after use and then discard. Remember to recycle.

A standard household glass cleaner can be used to clean the glass parts of the fireplace.

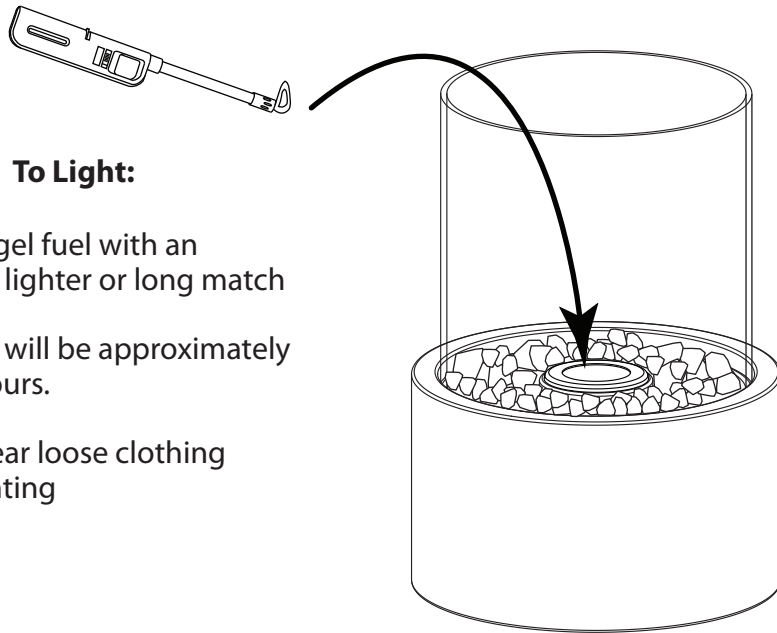
A damp rag and mild soap can be used to clean the body of the fireplace.

To Clean Burn Cup

Burn cup should be cleaned every two burns. This can be cleaned with the snuffer tool included.

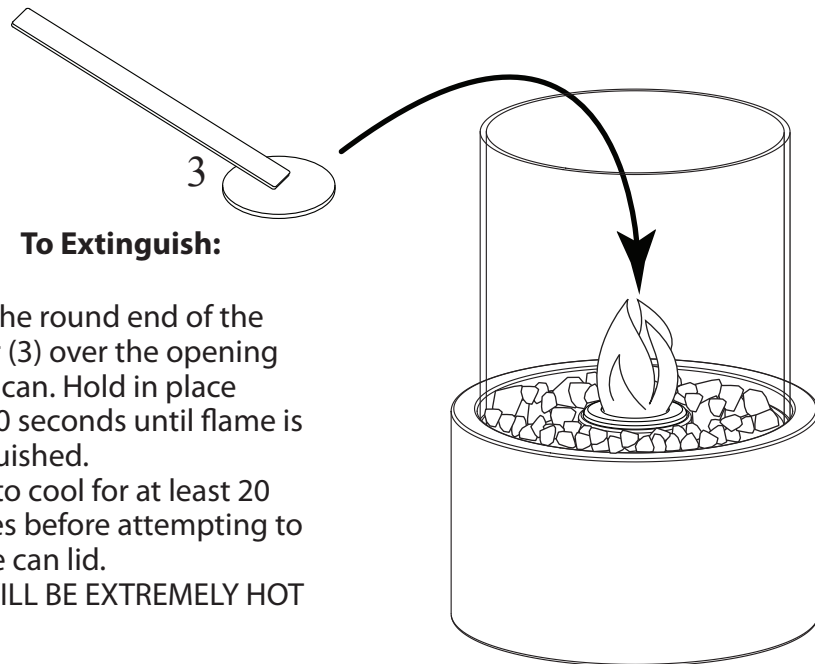
- Allow can to cool completely before attempting to clean. Please wait a minimum of 20 minutes after burning before attempting to clean.

- Place the straight edge of the snuffer into the cup and pull along the edge. Residue should be thrown away in the trash.



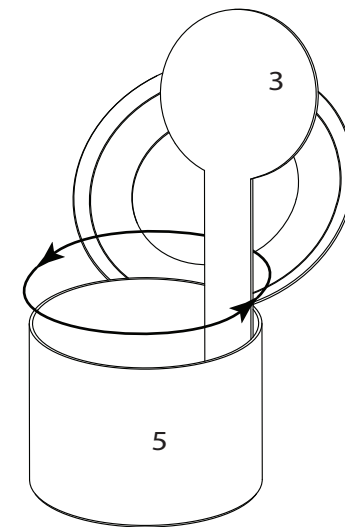
To Light:

- Light the gel fuel with an extended lighter or long match
- Burn time will be approximately 1.5 to 2 hours.
- Do not wear loose clothing when lighting



To Extinguish:

- Place the round end of the snuffer (3) over the opening on the can. Hold in place for 5-10 seconds until flame is extinguished.
- Allow to cool for at least 20 minutes before attempting to replace can lid.
CAN WILL BE EXTREMELY HOT



RESTORATION HARDWARE
Customer Service
1-800-816-0901