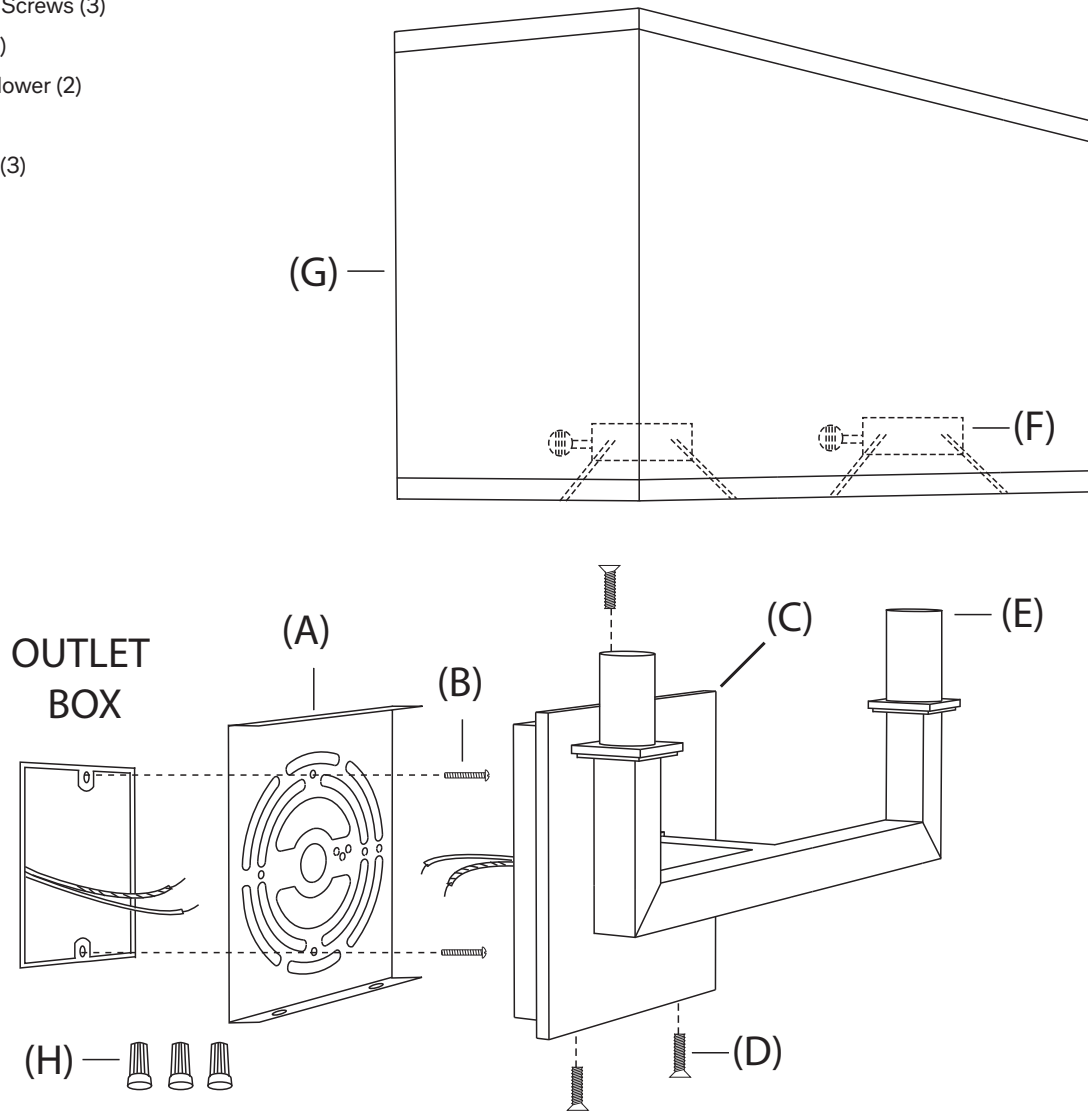


RH

NOLAN DOUBLE SCONCE

PARTS ENCLOSED:

- (A) Mounting Plate (1)
- (B) Mounting Plate Screws (2)
- (C) Backplate (1)
- (D) Backplate Screws (3)
- (E) Sockets (2)
- (F) Candle Follower (2)
- (G) Shade (1)
- (H) Wire Nuts (3)



IMPORTANT PLEASE READ**WE RECOMMEND INSTALLATION BY A LICENSED ELECTRICIAN.****SAFETY INSTRUCTIONS:**

These instructions are provided for your safety. It is very important that they are read completely before beginning the installation of your fixture.


This fixture has been rated for up to two (2) 60-watt maximum Type B candelabra base bulbs or two (2) 4.7-watt LED candelabra base bulbs. To avoid risk of fire, do not exceed the recommended wattage.

If any special control devices are used with this fixture, follow the instructions carefully to assure full compliance with N.E.C. requirements. If there are any questions, contact a qualified electrical contractor.

WARNINGS:

All wires are connected. When unpacking, be careful not to pull wires as a bad connection may result. Do not connect electricity until your fixture is fully assembled. To reduce the risk of fire, electrical shock or personal injury, always turn off fixture and allow it to cool prior to replacing the lightbulb. Do not touch bulb when fixture is turned on or look directly at lit bulb. Keep flammable materials away from the lit bulb.

This lighting fixture contains lead, a chemical known to the State of California to cause cancer, birth defects and other reproductive harm. Wash hands after installing, handling, cleaning, or otherwise touching this light fixture.

 **WARNING:** This product can expose you to lead, which is known to the State of California to cause cancer and birth defects or other reproductive harm. For more information, go to www.P65Warnings.ca.gov.

THIS IS NOT A TOY AND THE PRODUCT HAS NO PLAY VALUE.

 **WARNING: STRANGULATION HAZARD**

Keep cord at least 3 ft away from cribs, bassinets, and toddler beds. Keep out of reach of children under 3.

ASSEMBLY & INSTALLATION:

1. SHUT OFF THE MAIN ELECTRICAL SUPPLY FROM THE MAIN FUSE BOX/ CIRCUIT BREAKER.
2. Remove fixture and all parts from carton. Do not throw away any parts.
3. Remove all packaging material from lamp.
4. Remove mounting plate (A) from backplate (C) by removing backplate screws (D).
5. Guide wiring from wall outlet through center hole in mounting plate (A). Affix mounting plate (A) to wall outlet using mounting plate screws (B) provided.
6. Lift fixture to exposed wiring from wall outlet and make proper electrical connection. A LICENSED ELECTRICIAN IS RECOMMENDED.
7. Attach ground wire from fixture (green or copper in color) to ground wire from outlet box. Fasten wires together with wire nut (H) and tightly wrap connection with electrical tape.
8. Attach hot wire from fixture (black in color or smooth side of wire) to hot wire from outlet box. Fasten wires together with wire nut (H) and tightly wrap connection with electrical tape.
9. Attach neutral wire from fixture (white in color or ribbed side of wire) to neutral wire from outlet box. Fasten wires together with wire nut (H) and tightly wrap connection with electrical tape.
10. Slide backplate (C) over mounting plate (A). Align screw holes in backplate (C) with screw holes in mounting plate (A). Secure backplate (C) to mounting plate (A) by inserting backplate screws (D).
11. To install shade (G), slide candle follower (F) over socket (E). Make sure candle follower (F) sits level on top of the socket (E) and tighten the thumbscrew to secure the shade in place.
12. Install two (2) 60-watt maximum Type B candelabra base bulbs or two (2) 4.7-watt LED candelabra base bulbs into sockets (E).
NOTE: Pass bulbs down through top of shade (G) when installing bulbs into sockets (E).

CARE INSTRUCTIONS:

Wipe clean with a soft, dry cloth or static duster. Always avoid the use of harsh chemicals or abrasive cleaners as they may cause damage to the fixture's finish.