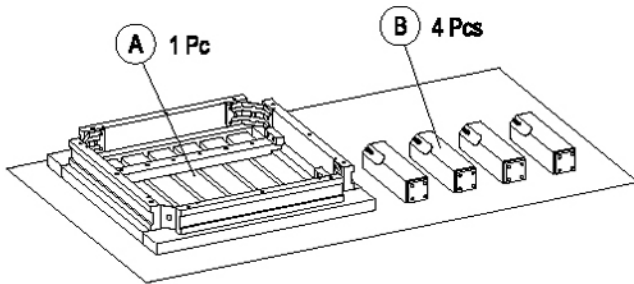
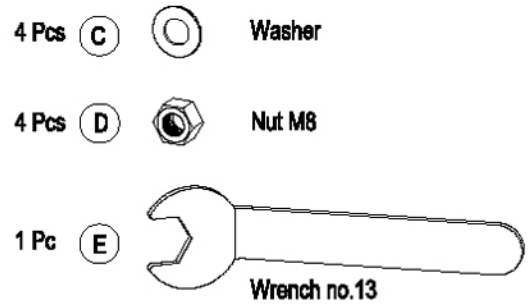


## HAMPTONS OTTOMAN, HAMPTONS END TABLE, HAMPTONS COFFEE TABLE ASSEMBLY INSTRUCTIONS

### Components list :



### Hardware list :



Open and unpack all contents on a clean, flat surface with a soft floor cover to protect the wood from scuffing: rug or blanket.  
Lay out hardware and count pieces.

1. With table top facing down, insert leg bolts into corner holes.  
Place washer (C) closest to the metal frame and then nut (D) in each corner.  
Tighten with wrench (E).  
See diagram 1.

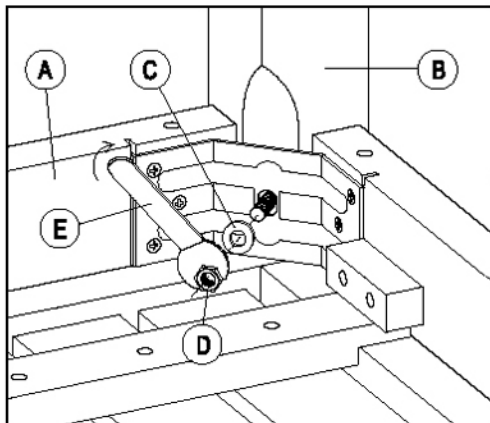
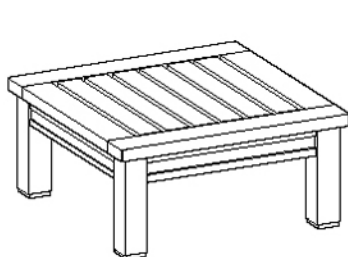
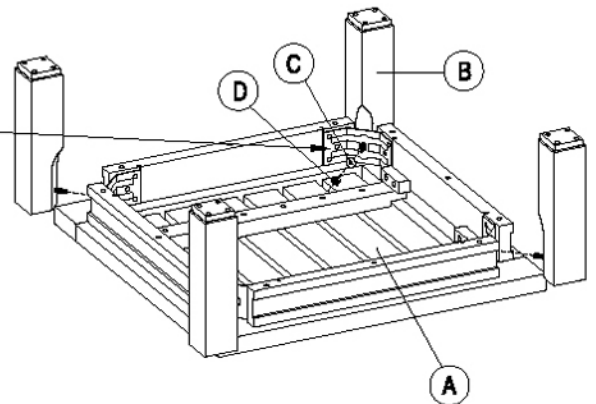
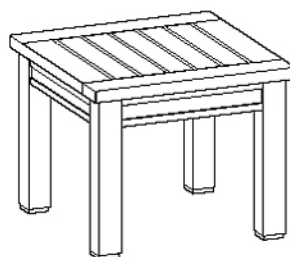


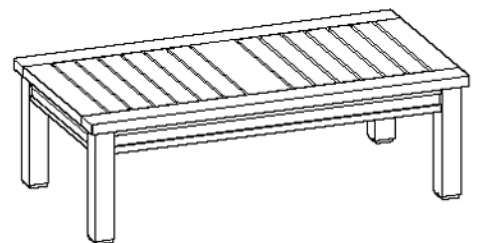
Diagram 1



Hamptons Ottoman



Hamptons End Table



Hamptons Coffee Table