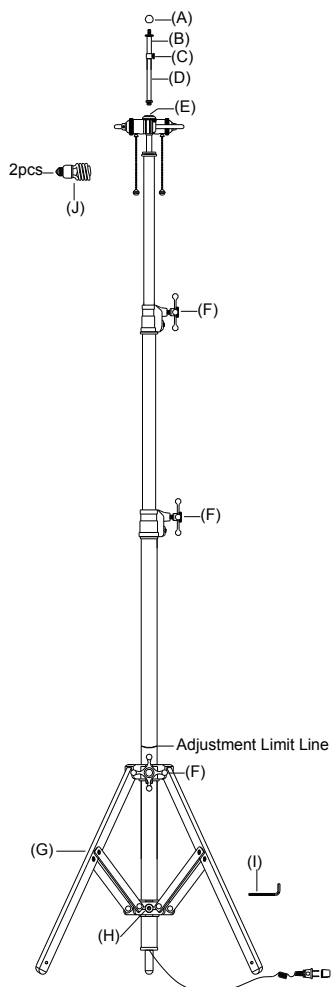


RESTORATION HARDWARE

PARTS ENCLOSED

- (A) Finial (1)
- (B) Upper Rod (1)
- (C) Adjustment Knob (1)
- (D) Shade Support Tube (1)
- (E) "S" Cluster (1)
- (F) Adjustment Key (3)
- (G) Sliding carriage base (1)
- (H) Set screw (1)
- (I) Allen wrench (1)
- (J) Compact Fluorescent bulb (2)

PHOTOGRAPHER'S TELESCOPING FLOOR LAMP



IMPORTANT SAFETY INSTRUCTIONS:

For safety purposes, this lamp is equipped with a polarized plug (one blade is wider than the other). If the plug does not fit securely into outlet, do not force it - contact a professional electrician. Use the plug with an extension cord only if it can be fully inserted into the cord's socket. Never alter the plug in any way.

This fixture has been rated for one (2) 100 watt maximum TYPE A bulbs (not included) OR (2) 23 watt Compact Fluorescent bulbs (included) to avoid the risk of fire, do not exceed the recommended wattage.

WARNINGS:

1. All wires are connected.
2. Do not remove the lamp from its packaging by pulling on the power cord, as a bad connection may result.
3. Do not connect electricity until your lamp is fully assembled.
4. To reduce the risk of fire, electrical shock, or personal injury, always turn off and unplug lamp and allow it to cool prior to replacing light bulb.
5. Do not touch bulb when fixture is turned on or look directly at lit bulb.
6. Keep flammable materials away from lit bulb.

TO ASSEMBLE:

1. Carefully remove all parts from the box and remove all plastic covering.
2. Loosen set screw (H) using Allen wrench (I), loosen lower adjustment key (F), push the sliding carriage base (G) down the pole until the adjustment limit line is visible above the carriage, then slide up slightly so that it just covers the line. NOTE: THE CARRIAGE MUST BE AT OR BELOW THE ADJUSTMENT LIMIT LINE TO MAINTAIN STABILITY OF YOUR LAMP.
3. Thread shade support tube rod (D) into "S" cluster (E).
4. Remove finial (A) from upper rod (B), place lamp shade (not included) over top threaded section of rod (B), and secure with finial (A).
5. Insert the recommended bulbs either standard incandescent or Compact Fluorescent bulbs (J) into threaded sockets.
6. Install shade by slipping the center ring over the top of the upper rod (B), and tighten with finial (A).
7. Plug into proper electrical outlet and test fixture.
8. Assembly is complete.

TO ASSEMBLE:

1. Loosen adjustment knob (C) found on Shade support tube.
2. Adjust lamp by pulling or pushing upper rod (B) up or down to desired height.
3. Tighten adjustment knob (C).
4. Loosen adjustment keys (F) found on lamp stem.
5. Adjust lamp by pulling or pushing lamp pole up or down to desired height.
6. Tighten adjustment keys (F).

CARE INSTRUCTIONS

Your lamp is not lacquered and will develop a beautiful patina finish over time. Avoid the use of all polishers, cleaners, and abrasives, as they will damage the finish of your lamp. To remove dust or fingerprints, just wipe gently with a soft, clean cloth.