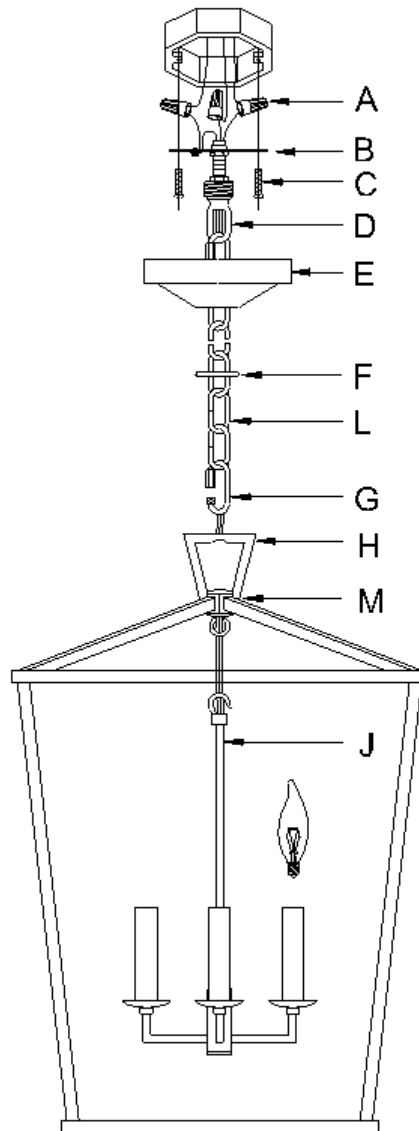


19TH C. ENGLISH OPENWORK PENDANT 17"

PARTS ENCLOSED

- (A) Wire Nuts (3)
- (B) Cross Bar (1)
- (C) Mounting Screws (2)
- (D) Ceiling Loop (1)
- (E) Canopy (1)
- (F) Lock Collar (1)
- (G) Carabiner (1)
- (H) Top Ring (1)
- (J) Center Tube (1)
- (L) Chain (1)
- (M) Fixture Body (1)



19TH C. ENGLISH OPENWORK PENDANT 17"

IMPORTANT SAFETY INSTRUCTIONS

INSTALLATION BY A LICENSED ELECTRICIAN IS STRONGLY RECOMMENDED.

This fixture has been rated for up to four (4) 60-Watt E12 Type CA candelabra bulbs (not included), or four (4) 13-Watt compact fluorescent light bulbs (not included), or four (4) 5-Watt LED light bulb (not included).

To avoid the risk of fire, do not exceed the recommended wattage.

WARNINGS

All wires are connected. When unpacking, be careful not to pull wires, as a bad connection may result. Do not connect electricity until your fixture is fully assembled. To reduce the risk of fire, electrical shock, or personal injury, always turn off fixture and allow it to cool prior to replacing the light bulb. Do not touch or look directly at the bulb when fixture is illuminated. Keep flammable materials away from lit bulb.



WARNING: This product can expose you to lead, which is known to the State of California to cause cancer and birth defects or other reproductive harm. For more information, go to www.P65Warnings.ca.gov.

THIS IS NOT A TOY AND THE PRODUCT HAS NO PLAY VALUE.



WARNING: STRANGULATION HAZARD

Keep cord at least 3 ft away from cribs, bassinets, and toddler beds. Keep out of reach of children under 3.

ASSEMBLY & INSTALLATION

SHUT OFF THE MAIN ELECTRICAL SUPPLY FROM THE FUSE BOX OR CIRCUIT BREAKER PANEL.

- Carefully remove all parts from the box and remove all plastic covering.
- Carefully hook Center Tube (J) onto Fixture Body (M).
- Install the Cross Bar (B) with Ceiling Loop (D) to outlet box by using Mounting Screws (C) provided.
- Put Canopy (E) to ceiling loop, and secure with Lock Collar (F).
- Using the dimensions of the fixture as a guide, shorten the Chain (L) as needed using a pair of chain pliers.

ASSEMBLY & INSTALLATION CONT.

- Take into consideration that you will use the Carabiner (G) to mount the chandelier once you have removed the excess chain.
- Unscrew the threaded collar on the Carabiner (G). Attach the Chain (L) to the Ceiling Loop (D). Close the threaded collar to secure the chain.
- Unscrew the threaded collar on the other Carabiner (G). Raise the fixture and attach chain end link to the Top Ring (H). Close the threaded collar to secure the fixture body.
- Unwrap the wiring from the top of the fixture body. Weave the power supply cord and the ground wire through the Chain (L).
- When you reach the canopy and ceiling loop, measure the wires and cut. Be certain to leave enough to connect inside the canopy.
- Strip the insulation back on the two power supply wires about 5/8".
- Twist the power supply and ground wires together and push through the center hole in the ceiling loop.
- Loosen the Lock Collar (F), let the Canopy (E) slip down the chain carefully. **DO NOT REVERSE THE HOT AND NEUTRAL CONNECTIONS OR SAFETY WILL BE COMPROMISED.**
- Connect the ground (bare) fixture wire with the ground (usually bare) wire from your ceiling box using Wire Nut (A). If your house does not have ground wire, then attach this wire to the green grounding screw inside of outlet box. **IT IS IMPERATIVE THAT THE J-BOX IN YOUR HOME BE PROPERLY GROUNDED.**
- Connect the neutral fixture wire with the neutral (usually WHITE) wire from your ceiling box using Wire Nut (A).
- Connect the hot (smooth edge, markings, or black) fixture wire with the hot (usually BLACK) wire from your outlet box using Wire Nut (A).
- Tuck these wire connections neatly into Ceiling Loop (D) to secure.
- Put Canopy (E) to ceiling loop, and secure with Lock Collar (F).
- Install the light bulbs (not included) into each sockets.
- Installation is complete. Turn on power at fuse or circuit breaker.

CARE INSTRUCTIONS

Do not use polishes or cleaners on your lamp. Just wipe clean with a soft cloth.