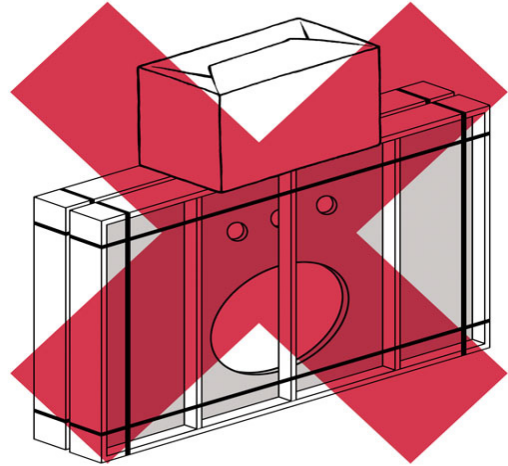
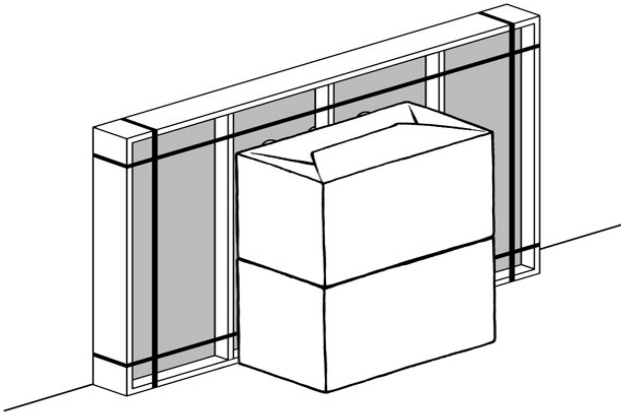


# RESTORATION HARDWARE

## LOUIS XVI TREILLAGE DOUBLE WASHSTAND SINK ASSEMBLY INSTRUCTIONS

### I. Storage

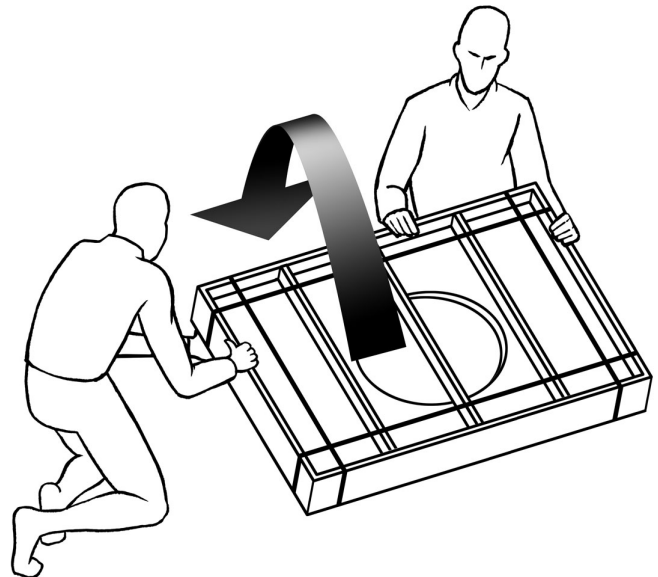
1. Keep marble top in it's crate until installation.
2. Store crate vertically in a place safe from being hit or knocked over
3. Do not stack anything on top of the crate.



### 2. Opening crate

1. Before unpacking make sure you have installation requirements present:
  1. A professional two man crew
  2. Sink base installed according to instructions with plumb wall and floor.
  3. Ensure the marble top is the correct one for the base.
4. Tools and materials required:
  1. Flat, non-abrasive work surface, such as a blanket or smooth cardboard
  2. Carpenter's level
  3. Phillips head screwdriver
  4. Sealant

2. Carefully, without allowing any free fall, rotate the crate from vertical to flat. This is the only time the crate should be horizontal.



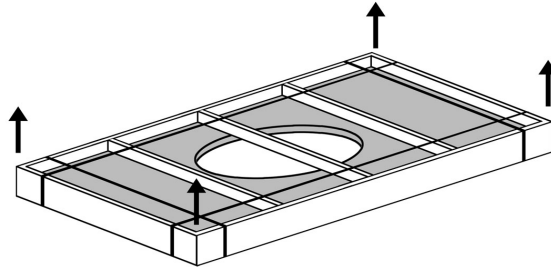
# RESTORATION HARDWARE

## LOUIS XVI TREILLAGE DOUBLE WASHSTAND SINK ASSEMBLY INSTRUCTIONS

---

3. Remove metal bands

4. Unscrew the slats or lid and remove.



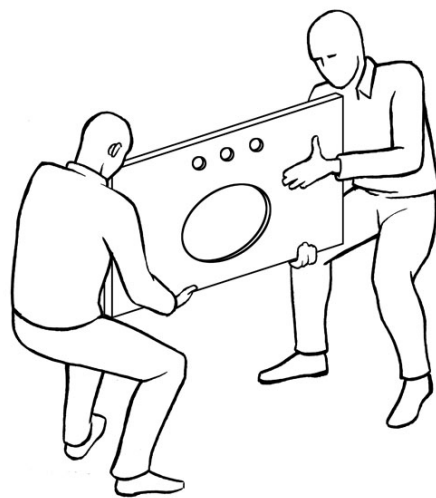
### 3. Examination of marble top

1. Examine the marble top for cracks or defects.
2. If defects are detected, please call 877-777-7059, do not install.
3. To clean the marble top, wipe with a soft cloth.

### 4. Installation of marble top

1. Always use a two man crew, a single person crew is much more likely to break or chip the marble top.

Double tops might require a 3 man crew.



# RESTORATION HARDWARE

## LOUIS XVI TREILLAGE DOUBLE WASHSTAND SINK ASSEMBLY INSTRUCTIONS

---



Caution! Installation between two walls requires special care.

### 2. Specific Instructions for installation between two walls

1. Set top on it's edge at back of counter.
2. Lower the front of the marble top to the sink base, making sure both ends come down at the same rate.
3. Do not shimmie, twist or turn the top as you lower it. - risk of breakage!



If defects are detected please call 877-777-7059 - do not install.

# RESTORATION HARDWARE

## LOUIS XVI TREILLAGE DOUBLE WASHSTAND SINK ASSEMBLY INSTRUCTIONS

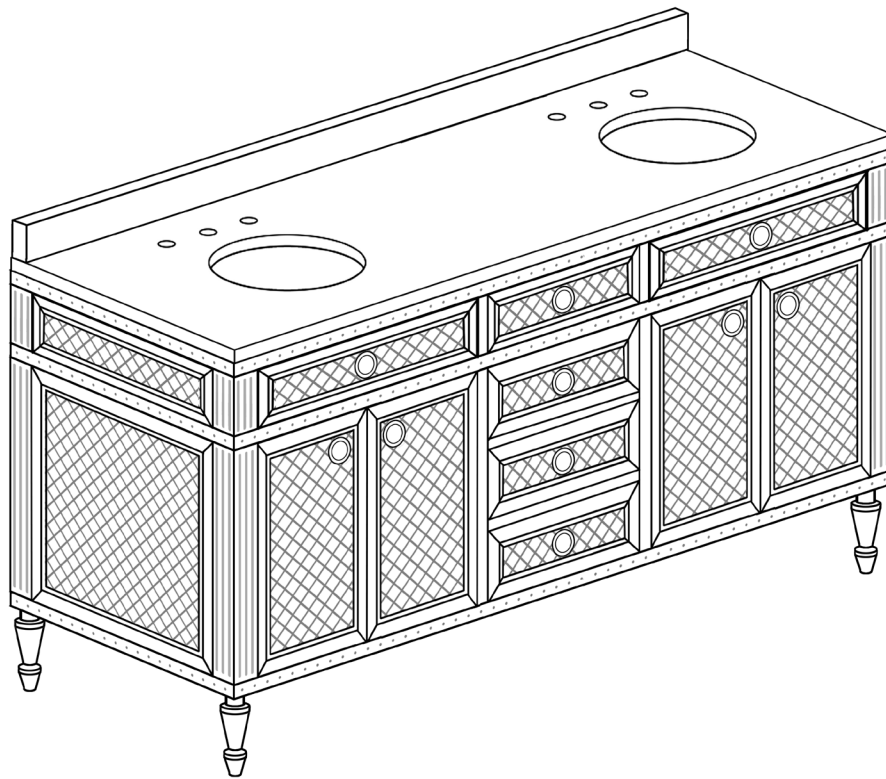
---

### Before You Begin:

Professional installation by two-person crew is required for this fixture. Install water supply and drain piping according to local plumbing and building codes. Insure that wall and floor are square and plumb at site of installation.

### Tools and Materials Required:

1. Flat, nonabrasive work surface such as a blanket or smooth cardboard
2. Carpenter's level
3. Sealant
4. Phillips head screwdriver



ASSEMBLED SINK

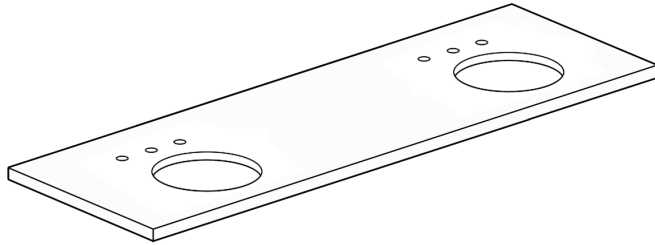
# RESTORATION HARDWARE

## LOUIS XVI TREILLAGE DOUBLE WASHSTAND SINK ASSEMBLY INSTRUCTIONS

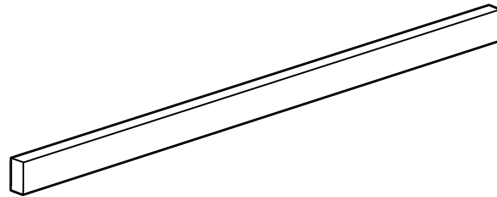
---

### Parts List

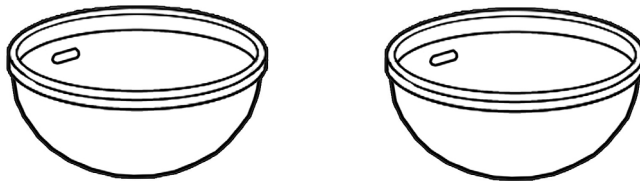
- A. Stone top (sold separately)



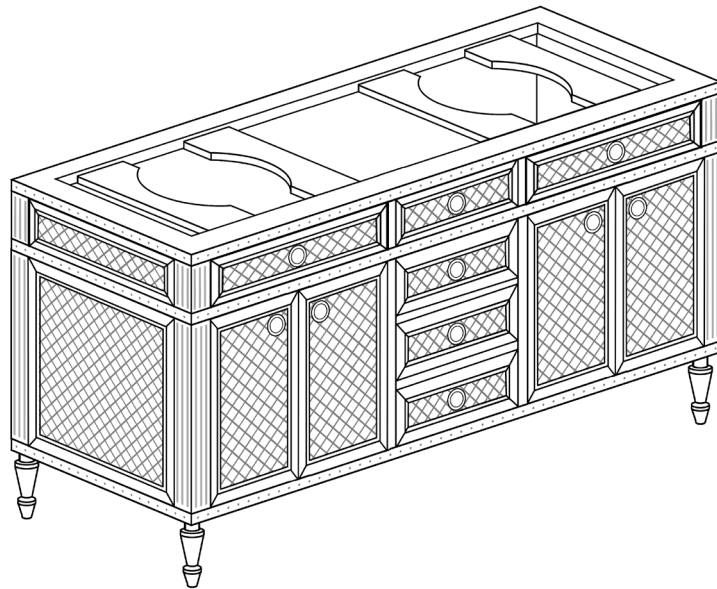
- B. Backsplash (sold separately)



- C. Lavatory basins



- D. Washstand base



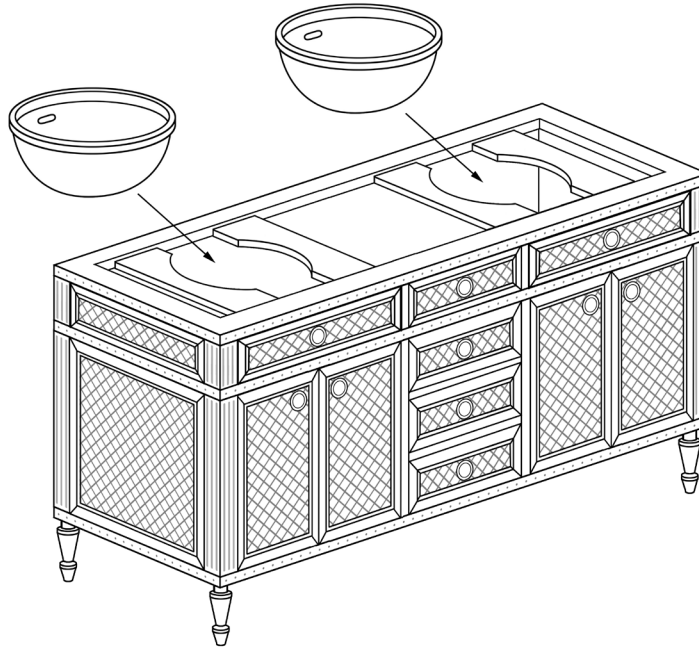
# RESTORATION HARDWARE

## LOUIS XVI TREILLAGE DOUBLE WASHSTAND SINK ASSEMBLY INSTRUCTIONS

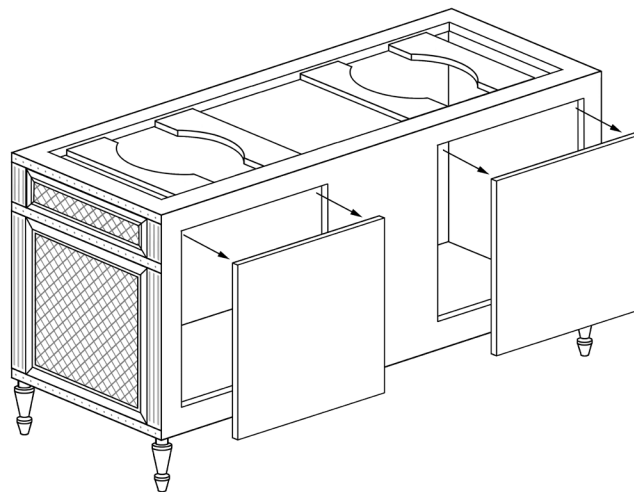
---

### Assembly Instructions:

1. Place the basins (C) on the support bars of washstand (D). (See Illustration) Overflow of Lavatory basin should be on the same side as pre-drilled faucet holes on the stone top.



2. Remove screws and back panels when installing faucet to sink. (See Illustration). Back panels can be discarded or reattached with cutouts to accommodate plumbing.



3. Apply a continuous bead of sealant to the top surface of rim of lavatory basin where it will contact underside of stone top.
4. Using two people, lift stone top (A), carefully place it in position on top of washstand base.
5. Apply silicone sealant to bottom and back of backsplash (B) and attach to wall and marble top.

# RESTORATION HARDWARE

## LOUIS XVI TREILLAGE DOUBLE WASHSTAND SINK ASSEMBLY INSTRUCTIONS

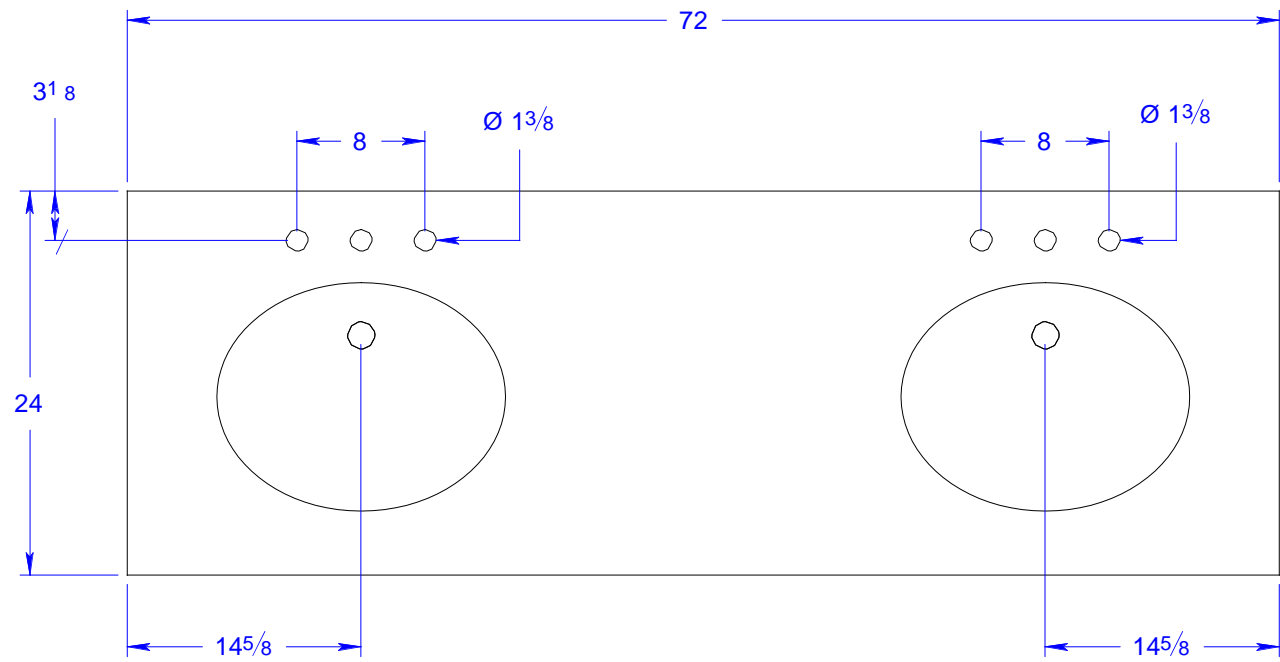
---

### **Cleaning and Maintenance Instructions:**

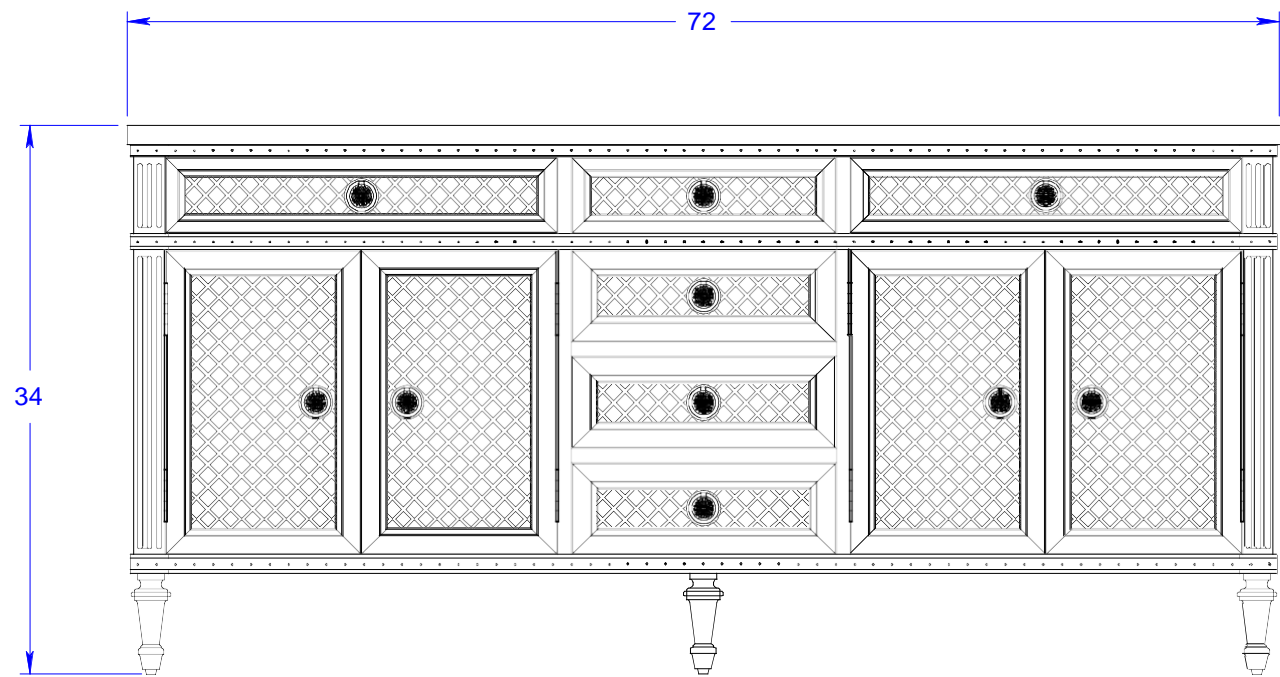
Avoid abrasive and harsh chemical cleaners.

To maintain and protect luster of vanity sink components, Restoration Hardware Bathroom Cleaning Products are recommended.

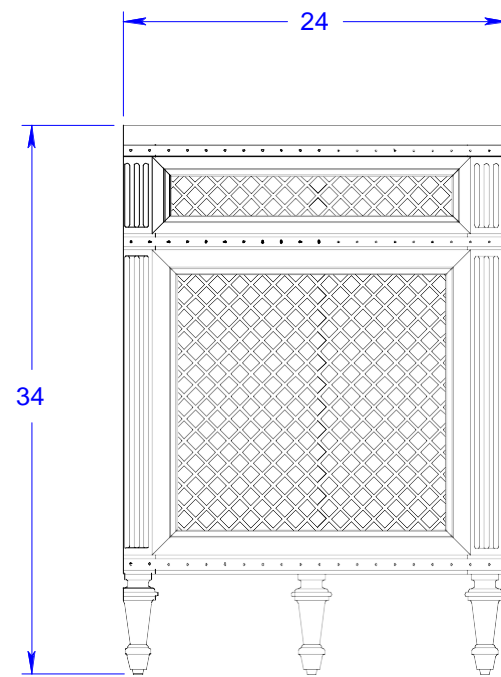
Restoration Hardware natural stone tops have a honed finish and hand-polished edges. They are sealed twice before shipment with inert silicone sealant. For cleaning and maintenance, Restoration Hardware Stone Care Products are recommended. To maintain your natural stone top, reseal it once a year.



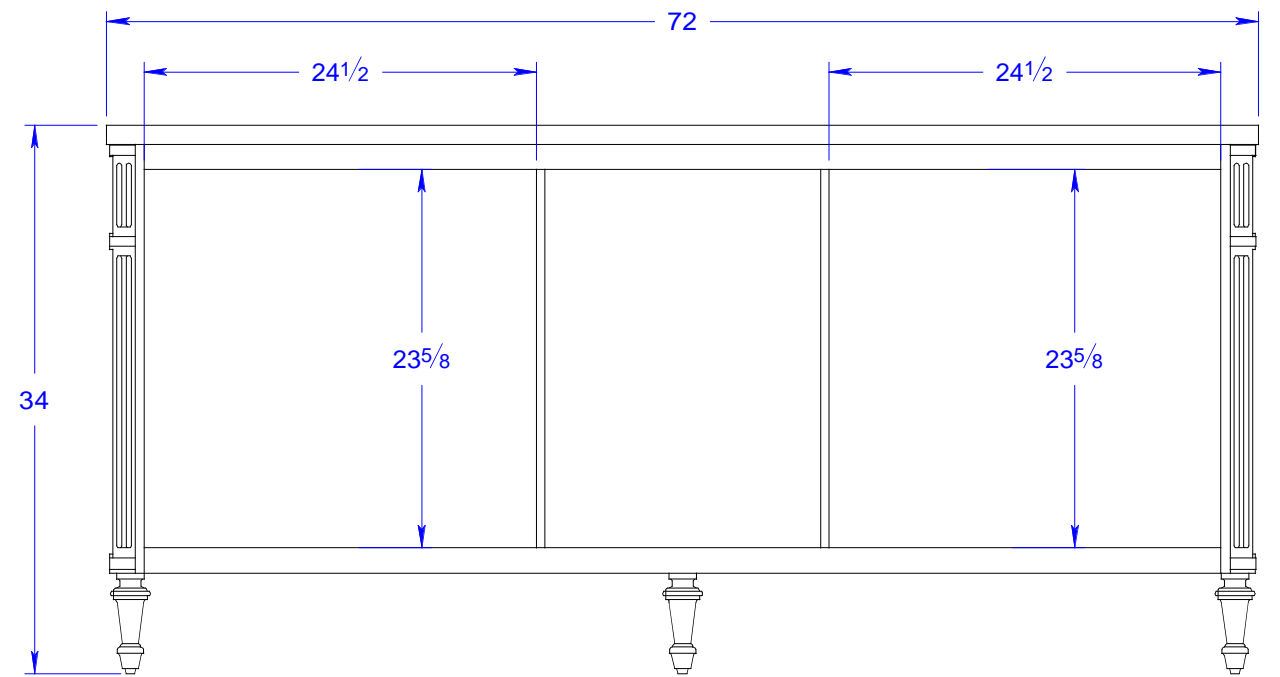
TOP VIEW



FRONT VIEW

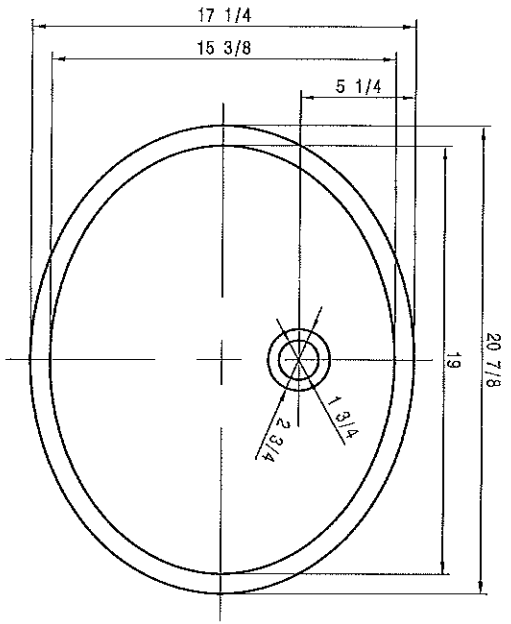


SIDE VIEW

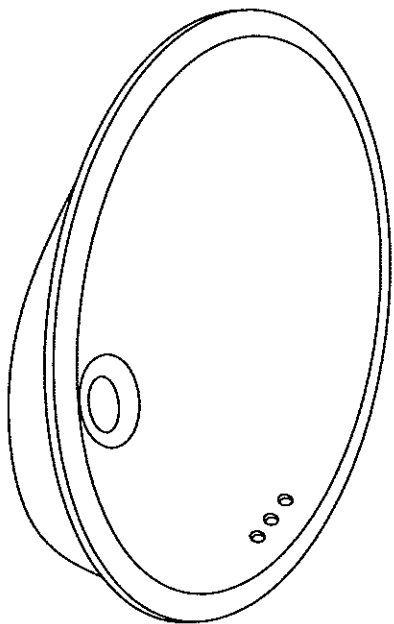


BACK VIEW

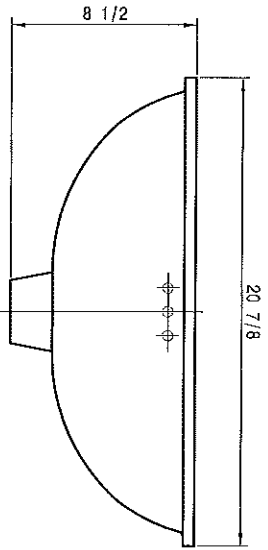




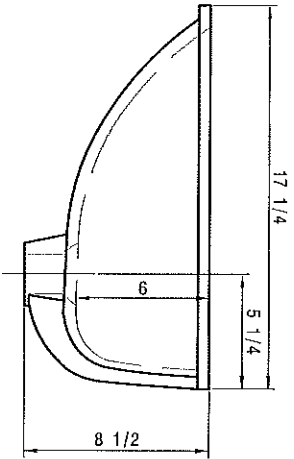
TOP VIEW



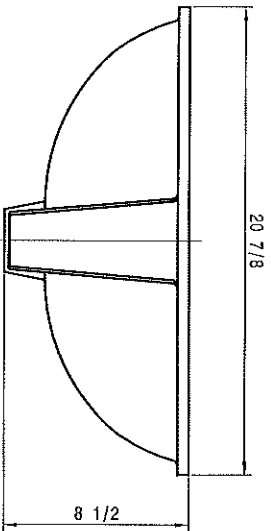
3D VIEW



FRONT VIEW



SIDE VIEW



BACK VIEW

19" BASIN TOLERANCE: ± 3%