

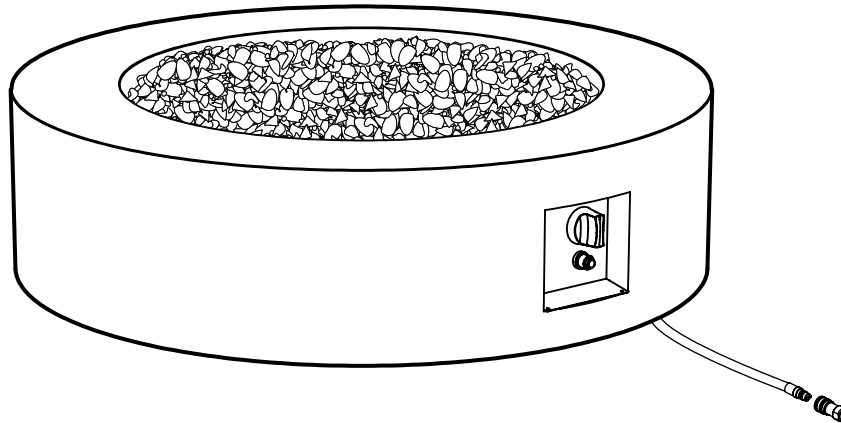
Lot: \_\_\_\_\_

PO: \_\_\_\_\_

# RESTORATION HARDWARE

## Natural Gas Round Fire Table Owner's Manual

### Style # 26100232



**For Technical Support call  
1-800-654-1704**



## Warning:

For outdoor use only  
**DO NOT** use for cooking  
**DO NOT** use under any  
overhead enclosure

## Warning:

- ▲ If the information in this manual is not followed exactly, a fire or explosion may result causing property damage, personal injury or loss of life.
- ▲ Installation and service must be performed by a qualified installer, service agency or gas supplier.
- ▲ Improper installation, adjustment, alteration, service or maintenance can cause injury or property damage.
- ▲ Read the installation, operation and maintenance instructions thoroughly before installing or servicing this equipment.
- ▲ Save these instructions for future reference. If you are assembling this unit for someone else, give this manual to him or her to read and save for future reference.

## DANGER

If you smell gas:  
1. Shut off gas to the appliance.  
2. Extinguish any open flame.  
3. If odor continues, keep away from the appliance and immediately call your gas supplier or fire department.

## WARNING

Do not store or use gasoline or other flammable vapors and liquids in the vicinity of this or any other appliance.

This unit is not for use with propane.  
Use only with Natural Gas.



C



US



**Designed and Engineered by  
Real Flame. Manufactured as  
Model # 11507N in China**



## DANGER

### CARBON MONOXIDE HAZARD

**This appliance can produce carbon monoxide which has no odor.**

**Using it in an enclosed space can kill you.**

**Never use this appliance in an enclosed space such as a camper,tent,car or home.**



## Table of Contents

Important Safety Information	3
Natural Gas Warnings	5
Parts List and Descriptions	7
Base Assembly Instructions	8
Pre-Use Instructions	9
Assembly Instructions	10
Connecting to Natural Gas Source	11
Lighting	13
Care and Cleaning	14
Gas Component Connection Checks	15
Troubleshooting	17

# Important Safety Information

 **WARNING** FIRE TABLE IS FOR OUTDOOR USE ONLY

 **WARNING** NOT FOR USE WITH LIQUID PROPANE

## IF YOU SMELL GAS:

- Shut off gas supply to the fire table.
- Extinguish any open flame.
- Do not try lighting any appliance.
- Do not touch any electrical switch; do not use any phone in your building.
- Immediately call your gas supplier from a neighbor's phone.
- Follow the gas supplier's instructions.
- If you cannot reach your gas supplier, call the fire department.

- **WARNING** Always shut off gas supply at the shut-off valve and disconnect the quick disconnect socket from the main gas supply when the fire table is not in use.
- **WARNING** Installation and service must be performed by a qualified installer, service agency or gas supplier.
- **WARNING** Failure to follow the dangers, warning and cautions in this manual may result in serious bodily injury or death, or in a fire or an explosion causing damage to property.
- **IMPORTANT NOTICE** Read and understand all warnings and precautions prior to assembly and use of your gas fire table. Improper installation, adjustment, alteration, service or maintenance can cause injury or property damage.
- **NOTE** The use and installation of this product must conform to local codes. In the absence of local codes, use the National Fuel Gas Code, ANSI Z223.1/NFPA547. Reference to Natural Gas and Propane Installation code CSA B149.1 or Propane Storage and Handling code B149.2.
- **NOTE** When an appliance is for connection to a fixed piping system, the installation must conform with local codes, or in the absence of local codes with the *National Fuel Gas Code, ANSI Z223.1/NFPA 54, or International Fuel Gas Code.*
- **Minimum Clearance from Unit to Combustible Materials**  
72”(182.9cm) from the top; 48” (121.9 cm) from all sides and back. Do not locate this fire table under any overhead enclosure.
- Always use this outdoor fire table on a hard, level non-combustible surface such a concrete, rock or stone. An asphalt or blacktop surface may not be acceptable for this purpose. Surfaces such as dirt and grass may prevent the unit from having proper ventilation.
- This gas fire table and its individual shutoff valve must be disconnected from the gas supply piping system during any pressure testing of that system at test pressures in excess of 1/2 of psi (3.5 kPa). The appliance must be isolated from the gas supply piping system by closing its individual manual shutoff valve during any pressure testing of the gas supply piping system at test pressures equal to or less than 1/2 psi (3.5 kPa).
- Keep these instructions for future reference. If you are assembling this unit for someone else, give this manual to him or her to read and keep for future reference.
- This gas fire table must be used ONLY outdoors in a well-ventilated space and shall NOT be used inside a building, garage, or any other enclosed area.
- DO NOT use this outdoor gas fire table for indoor heating. TOXIC carbon monoxide fumes can accumulate and cause asphyxiation.
- NEVER LEAVE this gas fire time unattended when in use.
- Children should be alerted to the hazards of high surface temperatures and kept at a safe distance while fire table is in use.

## Important Safety Information (Continued)

- Do not store or use gasoline or other flammable vapors and liquids within 25 feet (7.62m) of this or any other appliance.
- Do not store any combustible materials in the base enclosure.
- DO NOT use in an explosive atmosphere. Keep gas fire table area clear and free from combustible materials, gasoline and other flammable vapors and liquids.
- This outdoor fire table is NOT to be operated by children. Young children should be closely supervised when in the vicinity of this outdoor fire table.
- This outdoor fire table is not to be installed or used in or on recreation vehicles and/or boats.
- Always use in accordance with all applicable local, state and national codes. Contact your local fire department for details on outdoor burning.
- Use the same precautions you would with any open fire when using this outdoor fire table.
- DO NOT burn solid fuels such as: wood, charcoal briquettes, lump charcoal, manufactured logs, driftwood, trash, leaves, paper, cardboard, plywood, painted or stained or pressure treated wood in this outdoor fire table.
- DO NOT use this outdoor fire table until it is COMPLETELY assembled and all parts are securely fastened and tightened.
- DO NOT use this outdoor fire table near automobiles, trucks, vans or recreational vehicles.
- DO NOT use this outdoor fire table under any overhead structure or near any unprotected combustible constructions. Avoid using near or under overhanging trees and shrubs.
- The use of alcohol, prescription or non-prescription drugs may impair an individual's ability to properly assemble or safely operate this outdoor fire table.
- DO NOT use this outdoor fire table if any part has been under water. Immediately call a qualified service technician to inspect the fire table and to replace any part or control system and any gas control which has been under water.
- DO NOT wear flammable or loose clothing when operating this outdoor fire table.
- DO NOT use in windy conditions.
- Keep all electrical cords away from a hot outdoor fire table.
- Certain areas of this outdoor fire table when in use will become too hot to touch. Do not touch hot surfaces until the unit has cooled unless you are wearing protective gear such as insulated pot holders or heat resistant gloves or mittens to avoid burns.
- DO NOT hang or place clothing or other flammable materials on or near the gas fire table.
- Any guard or other protective device removed for servicing the fire table must be replaced prior to operating the fire table.
- DO NOT attempt to move or store this outdoor fire table until all parts are cool.
- DO NOT lean over this outdoor fire table when lighting or when in use.
- Use only the Natural Gas hose and quick disconnect assembly provided. The replacement Natural Gas hose and quick disconnect assembly shall be that specified by the manufacturer.
- DO NOT attempt to disconnect Natural Gas hose or quick disconnect socket from the main gas supply or any gas fitting while the outdoor fire table is in use.
- Always shut off gas supply at the shut-off valve and disconnect the quick disconnect socket from the main gas supply when the fire table is not in use
- DO NOT sit on the fire table when the unit is in operation.
- DO NOT throw anything onto the fire when the unit is in operation.
- Lava rocks are very hot; please keep children and pets at a safe distance.
- It is essential to keep the outdoor fire table valve compartment, burners, and circulating air passages clean. Inspect outdoor fire table before each use.
- Prior to each fire table operation, check the hose for evidence of excessive abrasion or wear by looking through the visual check hole. If the hose is damaged, cracked or cut, it must be replaced before using the gas fire table. The hose assembly can only be replaced with a hose assembly specified by the manufacturer. Please call Real Flame at 1-800-654-1704.

## Important Safety Information (Continued)

- Before each use, remove the lava rocks. Examine the burner and its components. If dirty, clean with a soft brush and soapy water solution. Also examine the area around the burner. Any dirt or foreign material, such as spider webs or nests in this area should be removed. If it is evident that the burner is damaged, the fire table must not be used. The burner assembly can not be replaced. Please contact Real Flame at 1-800-654-1704 for technical support.
- Place the hose out of the pathways where people may trip over it. Do not place the hose in areas where it may be subjected to accidental damage.

### **DANGER**

This outdoor fire table is for use with Natural Gas only. The conversion to or attempted use of Liquid Propane in this outdoor fire table is dangerous and could result in serious personal injury, or property damage.

**ATTENTION:** Any alteration of the outdoor fire table that is not specifically directed in the operations manual will void manufacturer warranty.

## NATURAL GAS DANGERS AND WARNINGS

Natural Gas is flammable and hazardous if handled improperly. Become aware of the characteristics before using any natural gas product.

### Natural Gas Characteristics

- Flammable, explosive under pressure, lighter than air and settles in pools in high areas.
- In its natural state, Natural Gas has no odor. For your safety, an odorant has been added.
- Contact with Natural Gas could burn the skin.
- Natural Gas is extremely flammable and hazardous if handled improperly.

Chemicals known to the state of California to cause cancer, birth defects, or other reproductive harm are created by the combustion of Natural Gas.

Your Natural Gas fire pit is designed to operate on Natural Gas only, at a pressure of seven inches water column (7" W.C.) Check with your gas utility for local gas pressure, because in some areas Natural Gas pressure varies. Also, check with your gas company or with local building codes for instructions to install gas supply line, or call a licensed and qualified installer.

It is recommended that an ON/OFF manual shut-off valve be installed at the gas supply source, outdoors: after the gas line exits outside wall and before quick disconnect or before gas supply line enters ground, indoors: in the branch gas line in an accessible location near the gas supply line.

Pipe sealing compound or pipe thread tape of the type resistant to the action of Natural Gas must be used on all male pipe threads. Apply compound or tape to at least the first three to four threads when making a connection.

# NATURAL GAS DANGERS AND WARNINGS (Continued)

Never store or use gasoline or other volatile substance in the vicinity of this fire table.

## Natural Gas Connection

Connect a manual shutoff valve to gas supply line. Apply sealing compound or pipe thread tape of the type resistant to the action of Natural Gas on all male pipe threads. Connect the end, with the quick release connector, of the Natural Gas hose to manual shut-off valve at the gas supply.

### **Caution:**

During any high pressure testing of the gas supply piping system at test pressures in excess of 1/2 psi (3.5 kPa), the appliance and its individual shutoff valve must be disconnected from the gas supply piping system.

The outdoor fire table must be isolated from the gas supply piping system by closing the individual manual shutoff valve during any pressure testing of the gas supply piping system at least equal to or less than 1/2 psi (3.5 kPa).

### **Warning:**

Burner valves are pre-tested at the factory to operate on Natural Gas. Do not attempt to convert or change.

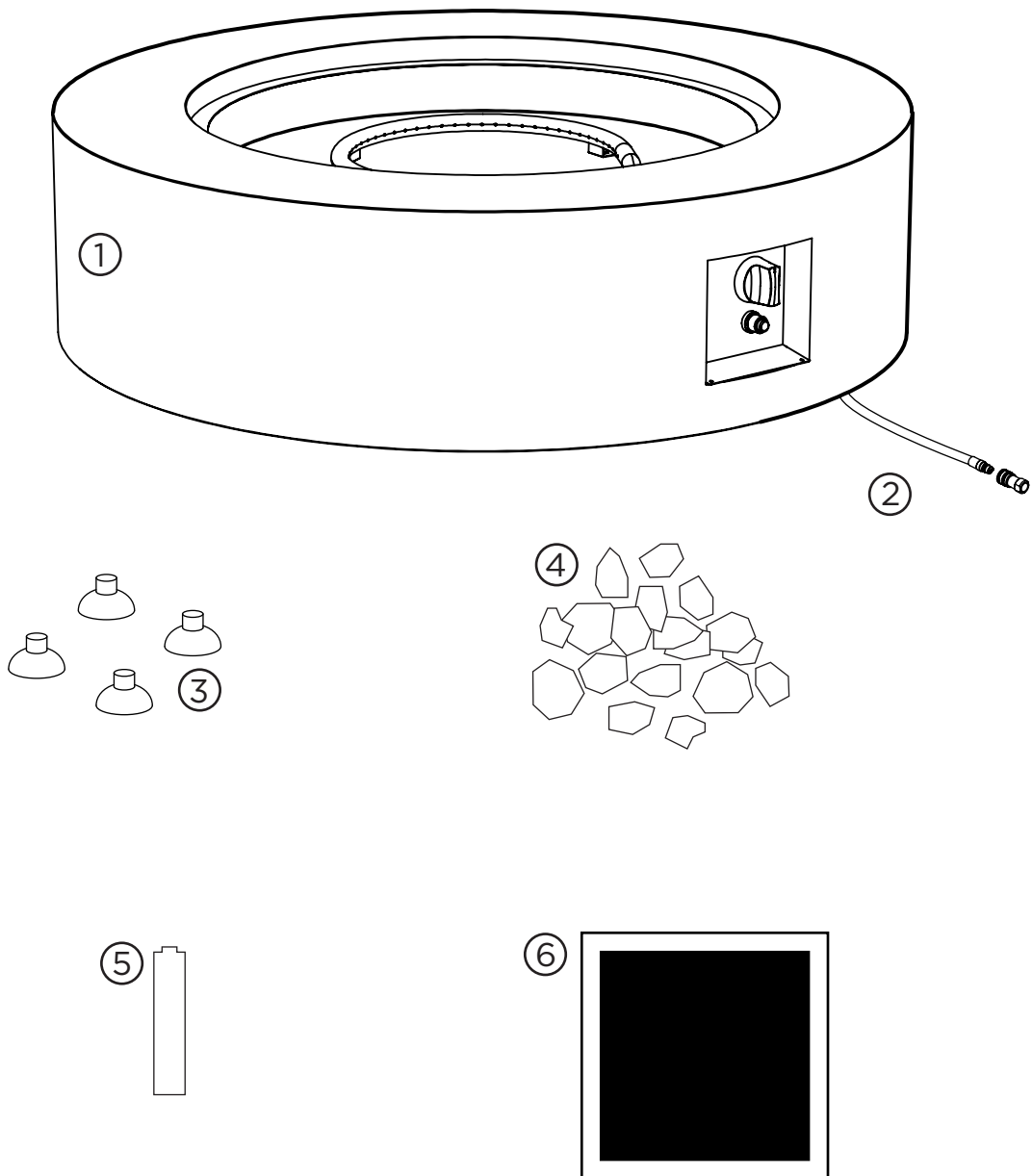
- (i) Children and adults should be alerted to the hazards of high surface temperatures and should stay away to avoid burns or clothing ignition.
- (ii) Young children should be carefully supervised when they are in the area of the appliance.
- (iii) Clothing or other flammable materials should not be hung from the appliance, or placed on or near the appliance.
- (iv) Any guard or other protective device removed for servicing the appliance shall be replaced prior to operating the appliance.
- (v) Installation and repair should be done by a qualified service person. The appliance should be inspected before use and at least annually by a qualified service person. More frequent cleaning may be required as necessary. It is imperative that the control compartment, burners, and circulating air passageways of the appliance are kept clean.

## Lava Rock Warning:

1. Do not light or use this firetable if lava rocks are wet. Ensure lava rocks are completely dry before lighting. Intense heat can cause wet lava rocks to explode and they could hit someone causing injury.
2. Please keep away from the firetable for at least 20 minutes during initial start-up as lava rocks could retain some moisture from manufacturing and shipping.

# Parts List

①	Fire Table		1
②	Natural Gas Hose and Quick Disconnect	056NG010	1
③	Feet	05600006	4
④	Lava Rock	05603408	9 kgs (1 box)
⑤	AAA Battery	00500000	1
⑥	Vinyl Cover		1



# Assembly Instructions

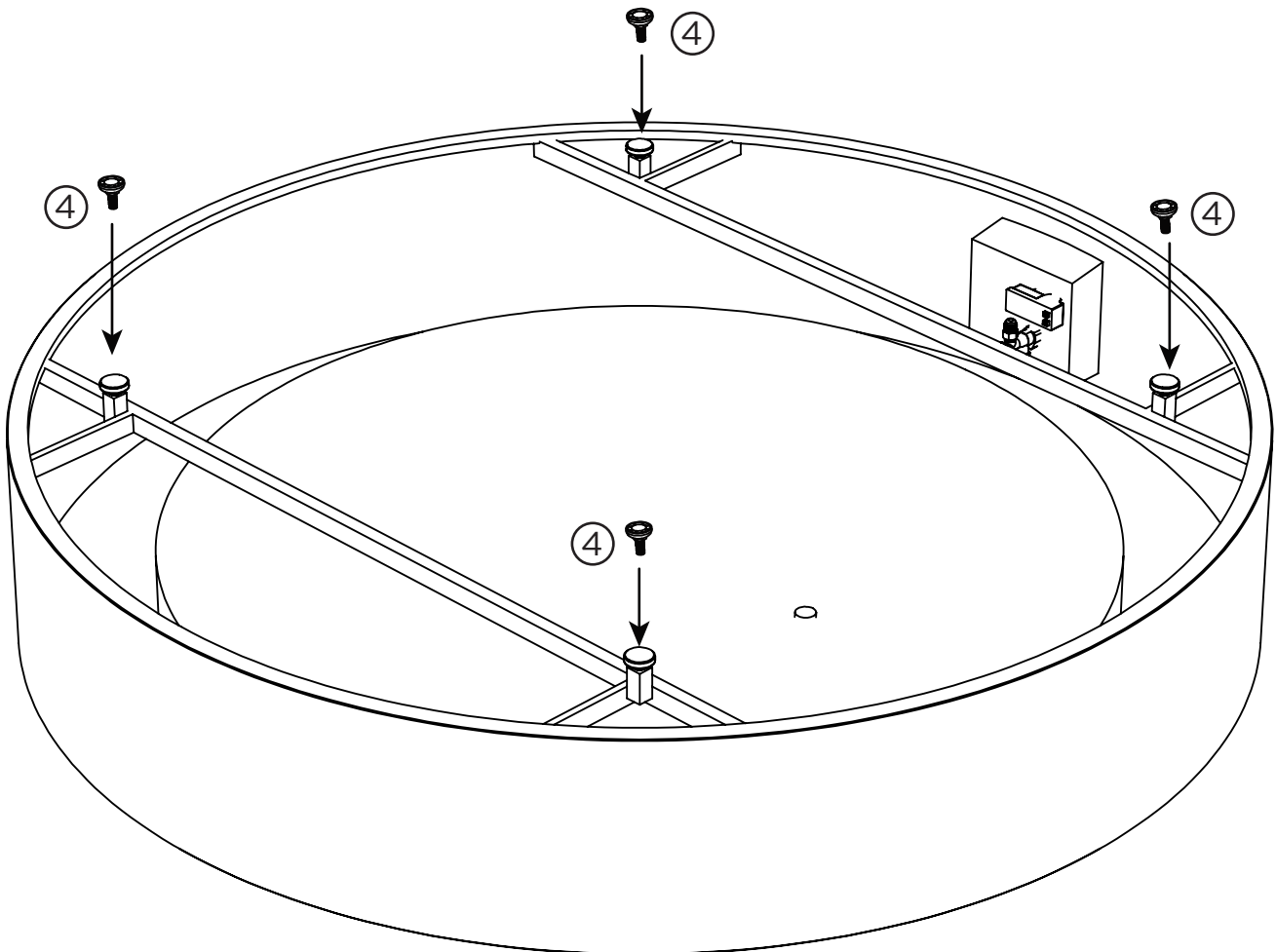
1

The fire table is very heavy, make sure that another person is available to help you when moving it or flipping it over.

With the fire table upside down, install the four feet (3) by screwing them into the holes located in the corners of the unit.

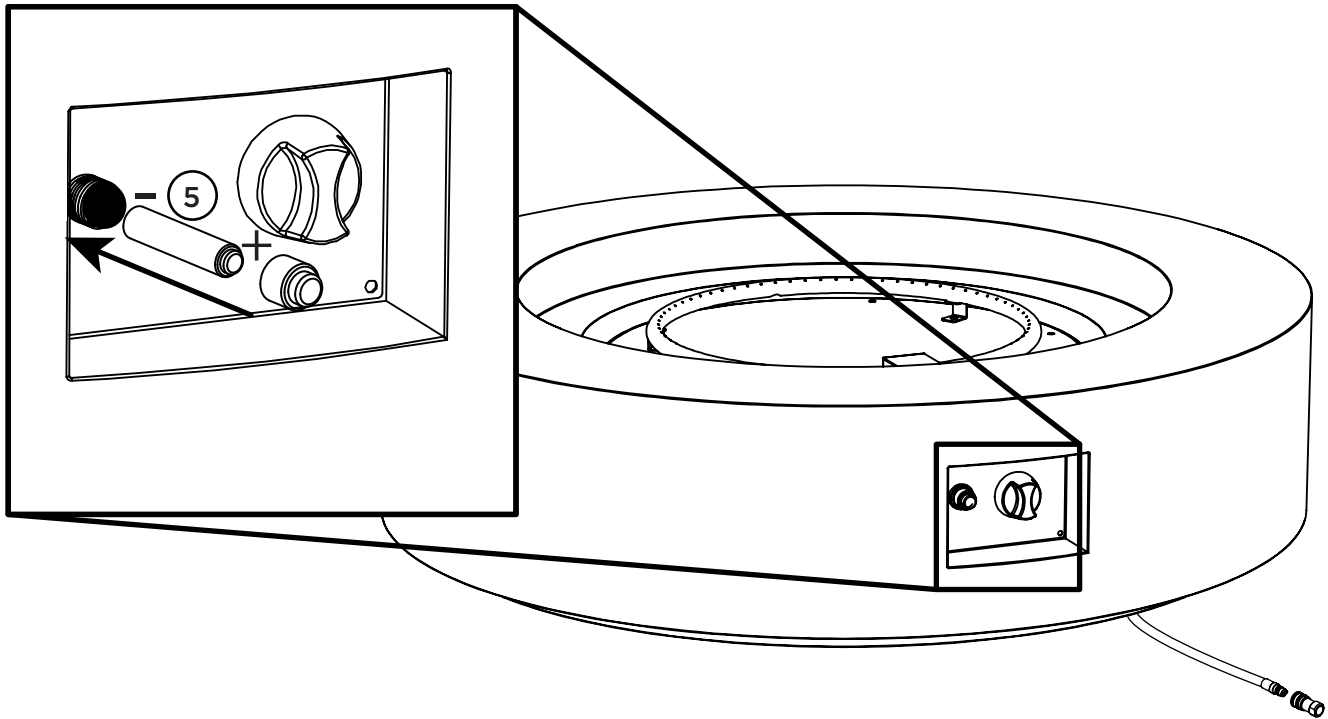
## WARNING

Flip the table over with the help of another person. Do not attempt to turn the table upright by yourself as injury to yourself or damage to the table may occur.



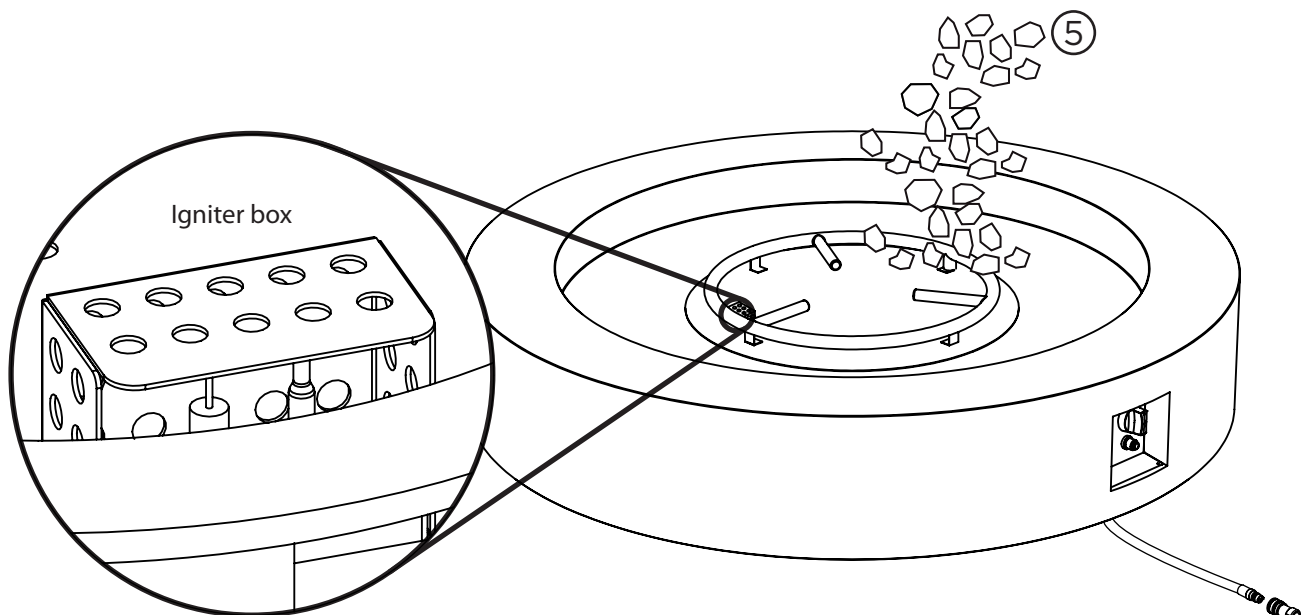


Install the AAA battery as shown in the diagram below.



Remove the blue protective film from stainless burn tray.

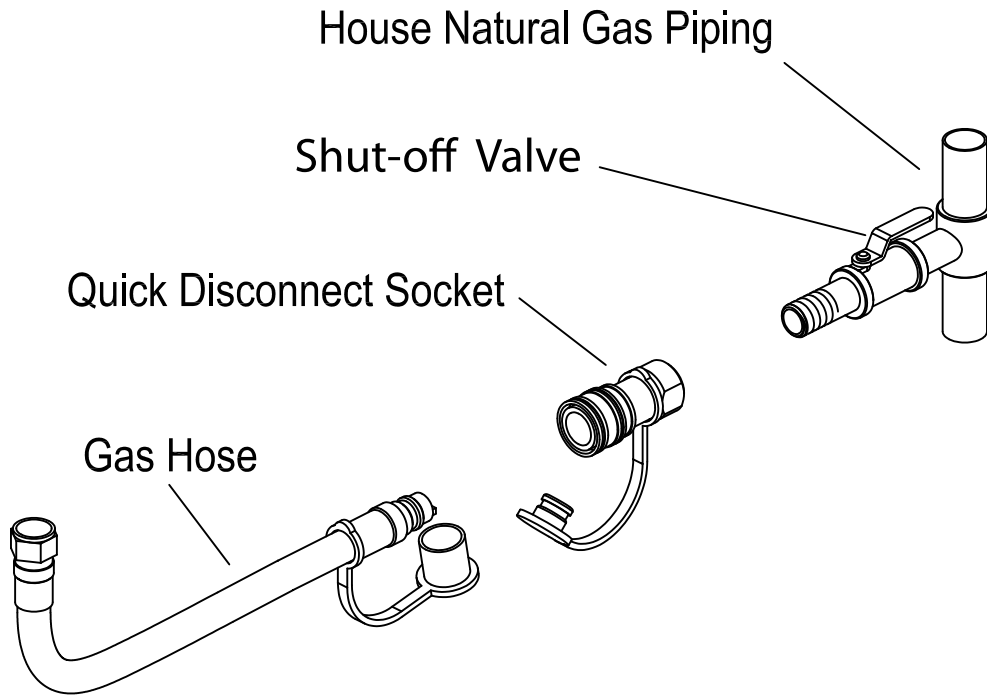
Place lava rock by hand. DO NOT dump bag out into tray to avoid clogging the burner with dust. Position the lava rock (9kgs) across the bowl to a level about 1" above the top of the burner. Make sure that you do not block the igniter box with lava rock to ensure proper ignition.



# 4

## Connecting your fire table to the Natural Gas source:

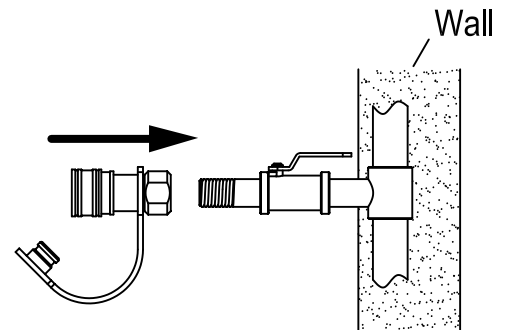
A professionally installed shut-off valve between the supply piping and the socket is recommended by the National Fuel Gas Code. Socket connection must be made outdoors.



## Connecting the Socket

Coat the gas supply pipe nipple with gas resistant pipe compound or approved teflon tape. Screw socket onto gas supply pipe (house gas source) as shown to the right, and wrench tighten.

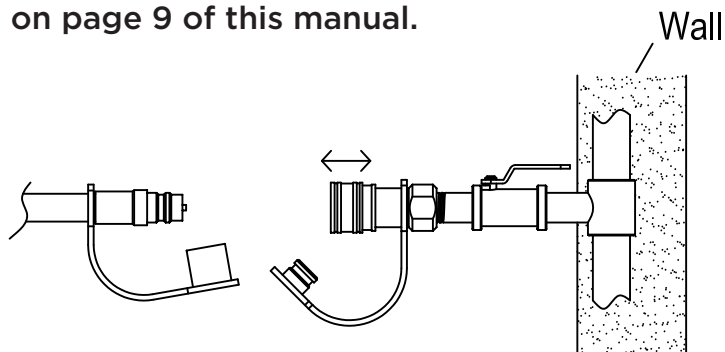
The quick disconnect socket should never be connected to the fire table. Direction of gas flow is indicated on the socket.



## Using the Quick Connect Socket

Pull back the sleeve on the quick disconnect socket and insert the unattached end of the gas hose into the socket. Release the sleeve and continue pushing the hose into the socket until the sleeve snaps into the locked position.

After making all connections, perform a leak test as described on page 9 of this manual.



# Pre-Use Instructions

## 7

**⚠ WARNING** Before using this outdoor fire table, make sure you have read, understand and are following all information provided in the Important Safety Information section of this manual. Failure to follow those instructions can cause death, serious injury or property damage.

Prior to each gas fire table operation, check the hose and valve for evidence of excessive abrasion or wear.

### BURNER CONNECTIONS

Make sure the Natural Gas hose and quick disconnect socket connections are securely fastened to the burner and the gas supply. If your unit was assembled for you, visually check the connection between the burner pipe and orifice. Make sure the burner pipe fits over the orifice.

**⚠ Warning:** Failure to inspect this connection or follow these instructions could cause a fire or an explosion, which can cause death, serious bodily injury, or damage to property.

Please refer to diagram for proper installation.

If the burner pipe does not rest flush to the orifice please contact Real Flame at 1-800-654-1704 for assistance.

### CHECKING FOR LEAKS

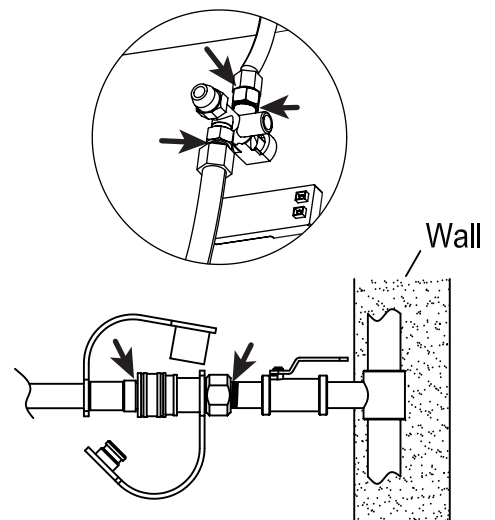
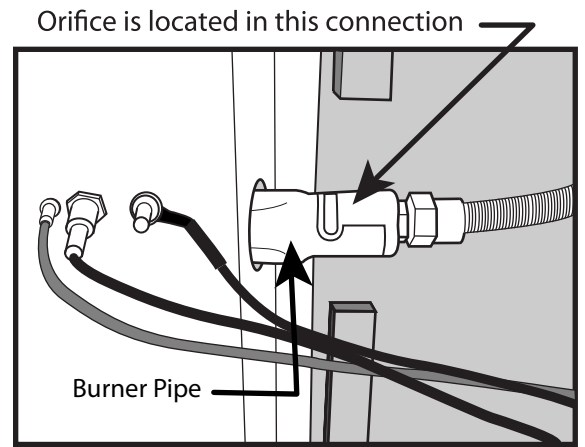
Make a leak check solution by mixing 1 part dishwashing soap with 3 parts water in a spray bottle.

Make sure control knob is "OFF." Then, turn Natural Gas on at its source.

Spray leak solution on valve connections paying particular attention to the areas indicated by arrows.

If any bubbles appear turn Natural Gas off, reconnect and re-test. If you continue to see bubbles after several attempts, disconnect Natural Gas source and contact Real Flame® at 1-800-654-1704 for assistance.

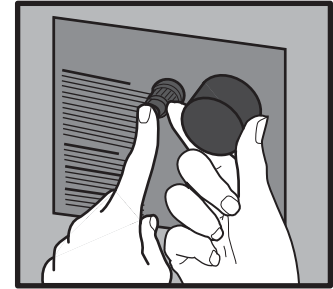
If no bubbles appear after one minute turn source OFF, wipe away solution and proceed.



Check for leaks at these locations

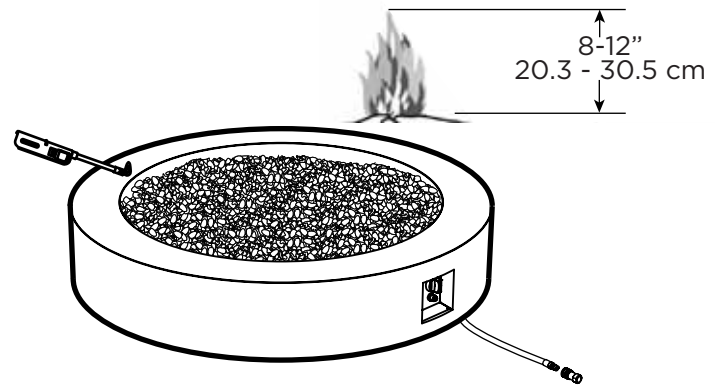
## Using the Igniter

1. Read and understand all operating instructions before lighting. Ensure that all protective film has been removed from stainless burn tray prior to lighting.
2. Burner control knob must be in the "OFF" position.
3. Connect Natural Gas source (see above pages).
4. Open the Natural Gas supply to the unit.
5. Push and hold igniter button to create sparks.
6. While holding the igniter button with one hand, use your other hand to push and turn the control knob to the "LIGHT" position to light the burner.
7. Keep Burner Control Knob pressed in for 15-30 seconds after ignition.
8. If ignition does not occur in 30 seconds, turn control knob to the "Off" position and turn gas off at the source, wait 5 minutes until gas has cleared and repeat lighting procedure.
9. After lighting, rotate the Burner Control Knob counter clockwise to "Low" setting. Observe flame, make sure all burner ports are lit. Flame height should be no higher than 13 inches tall.
10. Adjust the flame to the desired height with the control knob.



## Using a Long Match or Lighter

1. Prior to lighting, use a shovel to move the lava rocks for access to the burner.
2. Wearing heat resistant gloves, position the burning long match or burning butane lighter near the side of the burner. DO NOT lean over the firetable while lighting!
3. Turn control knob counter clockwise to "LIGHT".
4. Remove long match/long butane lighter.
5. After lighting, use a shovel and heat resistant gloves to carefully move the lava rocks back into their proper position.
6. After lighting, rotate the Burner Control Knob counter clockwise to "Low" setting. Observe flame, make sure all burner ports are lit. Flame height should be no higher than 13 inches tall.
7. Adjust the flame to the desired height with the control knob.



### **WARNING**

When using this method to light your fire table use heat resistant gloves and follow the step by step instructions. Failure to do so could result in severe injury.

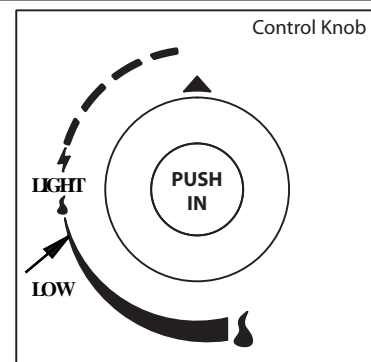
### **WARNING**

Do not wear loose or flammable clothing while lighting fire table.

### **WARNING**

If burner flame goes out during operation, immediately turn the control knob "OFF" and let the gas clear a minimum of 5 minutes before attempting to re-light the fire table.

**Please refer to the trouble shooting pages for additional support, beginning on page 17.**



# Care and Cleaning

## Inspecting

This outdoor fire table must be inspected regularly to ensure that the product is safe to use and to extend product life.

**⚠ WARNING DO NOT** inspect this outdoor fire table until the fire is COMPLETELY out.

1. Check the burner to make sure it is securely in place.
2. Check the venturi tube to make sure it is clear and free of insects, spider nests and other debris.
3. Check all gas connections for leaks.
4. Check ignition system to insure proper sparking.
5. Check components for any signs of damage, rust or excessive wear.

**⚠ WARNING DO NOT** tamper with this appliance. This is DANGEROUS and will void the warranty. Any part found to be faulty must be replaced with an approved part, confirmed by the manufacturer. For technical support contact Real Flame at: 1-800-654-1704. For replacement parts contact Restoration Hardware at: 1-800-816-0901.

## General Care and Cleaning

This outdoor fire table should be cleaned regularly to ensure safe use and extend product life.

Note: After repeated use, a slight discoloration of the finishes may occur.

**⚠ WARNING DO NOT** attempt to clean this outdoor fireplace unless the fire is completely out and the unit is cool to the touch.  
DO NOT use oven cleaner or abrasive cleaners as they will damage this product.  
DO NOT USE SOLVENTS while in closed spaces or while smoking.

## Table and Glass

1. Wipe exterior surfaces with a mild dishwashing soap or baking soda, then rinse clean with water.

## Stainless Steel

1. For general cleaning use warm water, soap, ammonia, or detergent apply with a soft cloth or sponge.
2. For finger prints or smears use 3M Stainless Steel Cleaner and Polish, Arcal 20, Lac-O-Nu, Lumin Wash, O’Cedar Cream Polish, Stainless Shine, this will provide a barrier film to minimize fingerprints. \*
3. For stubborn stains and discoloration use 3M Stainless Steel Cleaner and Polish, Allchem Concentrated Cleaner, Samae, Twinkle, Cameo Copper Cleaner, Liquid Nu Steel, Copper’s or Revere Stainless Steel Cleaner, apply using a soft cloth in the same direction of the polish lines.\*
4. NOTE: Even the finest cleaning powders can scratch or burnish a mill-rolled finish. On polished finishes, rubbing or wiping should be done in the direction of polish lines.

\* Use of proprietary names is intended only to indicate a type of cleaner and does not constitute an endorsement. Omission of any proprietary cleanser does not imply its inadequacy. All products should be used in strict accordance with instructions on package.

## Storage:

**⚠ WARNING DO NOT** move or store this fire table unless the fire is COMPLETELY out and is cool to the touch.

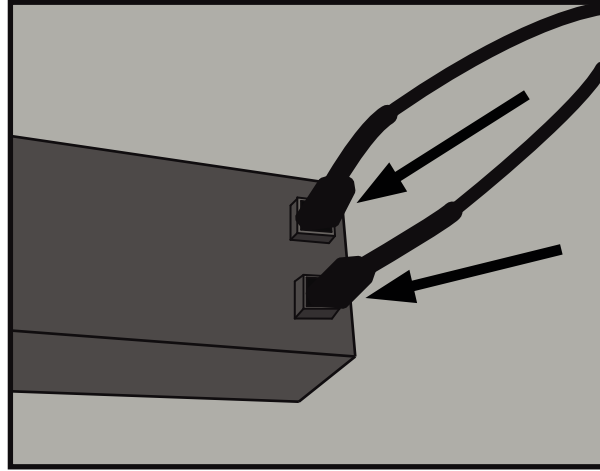
1. Turn off the gas supply and disconnect the quick connect valve.
2. Carefully remove rock filler and store components flat to protect them from breakage.
3. ALWAYS cover your outdoor fire table when not in use. The cover will protect the mechanical components from dirt and debris, prevent water from pooling on the surface of the fiber cast concrete and will prevent fading and discoloration of the finish.
4. Store in a cool, dry location away from children and pets.

## Gas Component Connection Checks

If the burner will not light or stay lit, please perform the following checks.

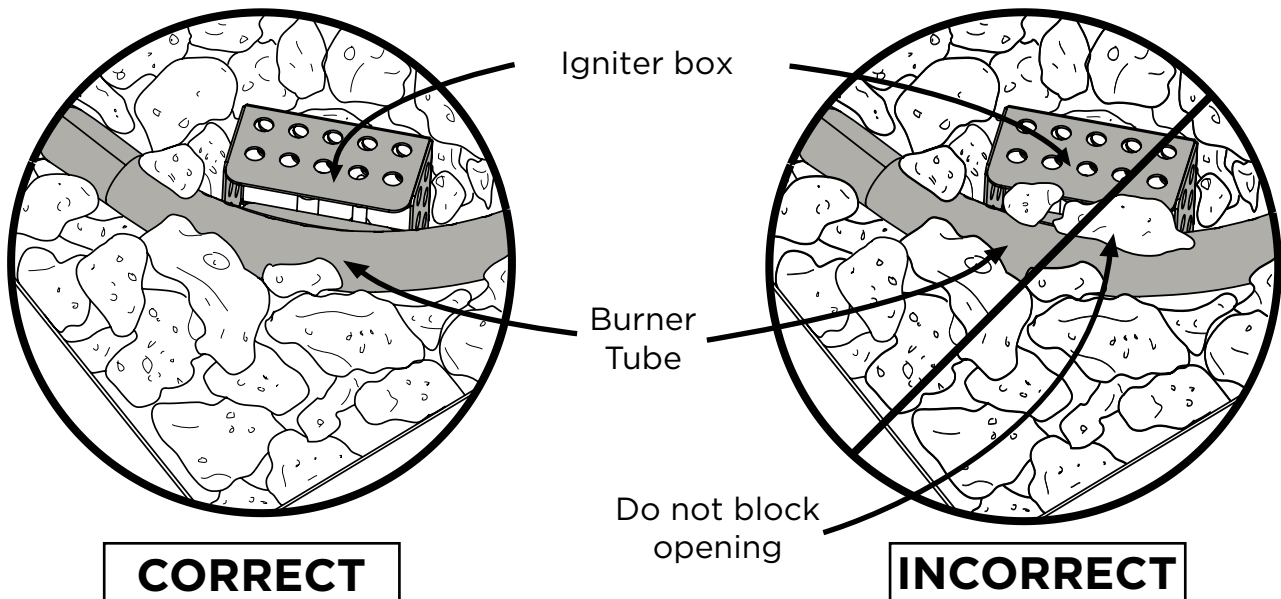
1. Make sure the electrode wire is correctly connected.

Both electrode wires must be fully inserted into the igniter box.

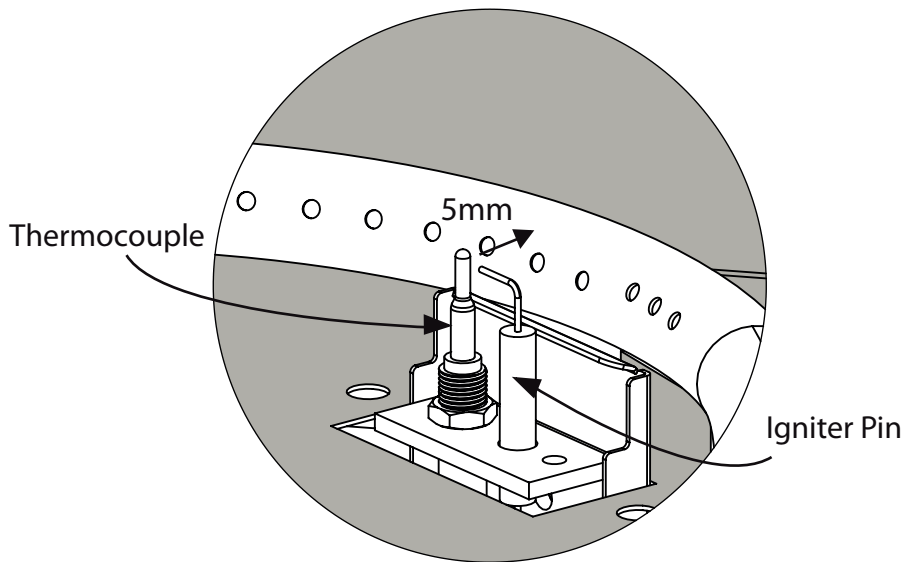


2. Make sure that the igniter box is unobstructed.

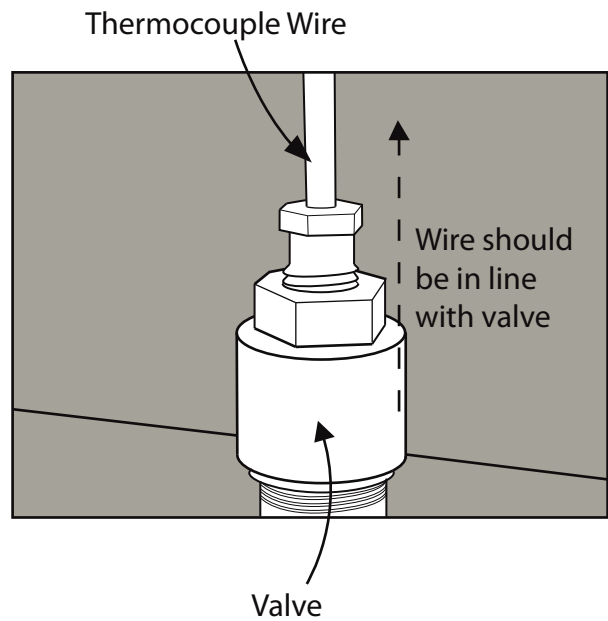
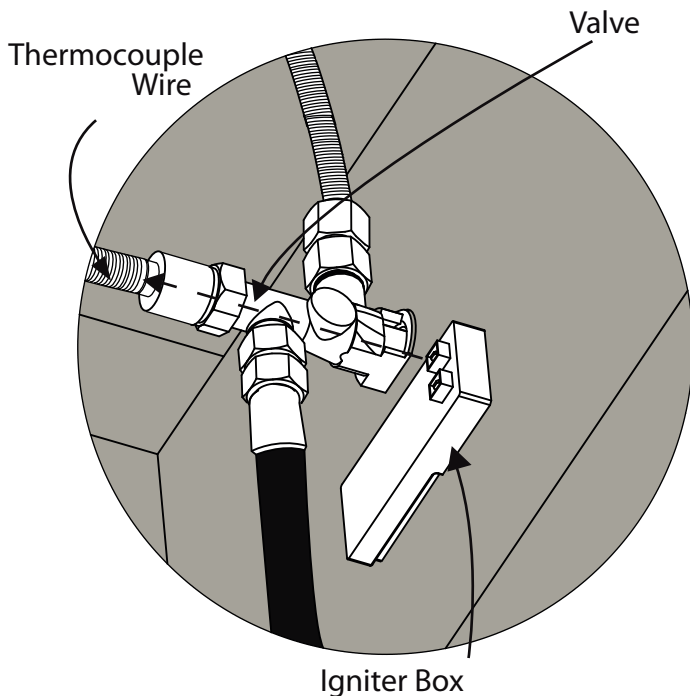
Clear any debris on top of the igniter box and make sure there is no debris between the igniter pin, thermocouple and the burner tube.



## Gas Component Connection Checks (Cont.)



3. Make sure that the igniter pin and thermocouple are correctly positioned.
- The igniter pin should be pointed straight to the thermocouple.
  - The thermocouple should be positioned 5mm away from the burner tube.



4. Make sure that the thermocouple wire is correctly positioned. The thermocouple wire should be in line with the valve.



# Troubleshooting

## Problem: Burner will not light using igniter

### Possible Cause 1: Electrode and burners are wet.

-Wipe dry with cloth.

### Possible Cause 2: Igniter battery is dead.

-Check or replace the AAA battery in the igniter.

### Possible Cause 3: Igniter Pin cracked or broken - sparks at crack.

-Call Real Flame at 1-800-654-1704 for technical support.

### Possible Cause 4: Wire loose or disconnected.

-Reference page 15, step 1, reconnect wire. Call Real Flame at 1-800-654-1704.

### Possible Cause 5: Wire is shorting (sparking) between igniter and electrode.

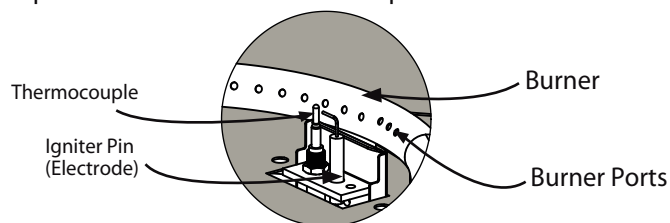
-Call Real Flame at 1-800-654-1704 for support.

### Possible Cause 6: Igniter Pin not pointing at thermocouple.

-Reference page 16, turn electrode to point at the thermocouple.

### Possible Cause 7: Bad Igniter

-Call Real Flame at 1-800-654-1704 for support.



## Problem: Burner will not light with match

### Possible Cause 1: No Gas Flow.

-Check if Natural Gas supply is stopped. If it is not stopped, refer to "Problem: Sudden drop in gas flow" on the following page.

### Possible Cause 2: Quick Connect not fully engaged.

-Disconnect the quick connect at the gas supply and reconnect to ensure a proper connection is made.

### Possible Cause 3: Obstruction of gas flow.

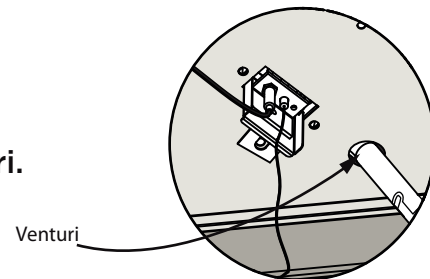
- Check for bent or kinked hose.

### Possible Cause 4: Spider webs or insect nest in the venturi.

- Clean the venturi.

### Possible Cause 5: Burner ports clogged or blocked.

-Reference "Problem: Irregular flame pattern" on the following page. Clean the burner ports as described there.



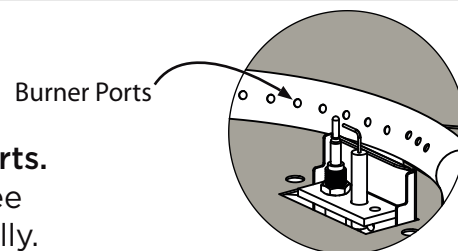
## Problem: The fire table emits a lot of black smoke when in use

### Possible Cause 1: Hose from gas fire table is pinched.

-Make sure the hose is not pinched between the fire table and the source of the gas.

### Possible Cause 2: Flame is being obstructed at burner ports.

-Make sure that the gas ports on the burner are free of any lava rocks so that the flame can flow naturally.



**For Technical Support Contact Real Flame at: 1-800-654-1704**

# Troubleshooting

## Problem: Sudden drop in gas flow, or a reduced flame height

### Possible Cause 1: Out of gas.

-Call your local gas company.

### Possible Cause 2: Excess flow safety device may have been activated.

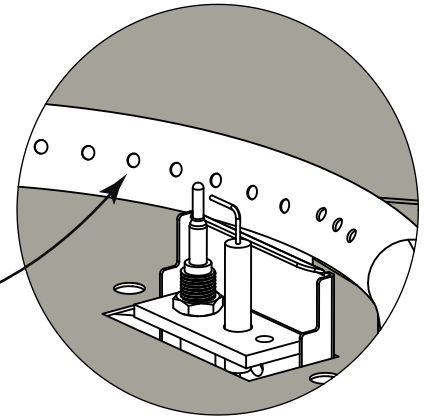
-Turn control knob to “OFF”, wait 30 seconds and light outdoor fire table. If flames are still too low reset the excessive flow safety device by turning off the control knob and the gas supply. Disconnect the quick disconnect socket. Turn Burner Control Knob to “HIGH”. Wait 1 minute. Turn Burner Control Knob off. Reconnect the quick disconnect socket, turn on the main gas supply and perform a leak check at the Natural Gas connection.

## Problem: Irregular flame pattern, flame does not run the full length of the burner

### Possible Cause: Burner ports are clogged or blocked.

-Clean burner ports. Do this by inserting a paperclip into each of the burner ports to ensure they are not clogged. **WARNING:** Make sure burner is not on, and has had sufficient time to cool before touching it.

Burner Ports



## Problem: Flame blow out

### Possible Cause 1: High or gusting winds.

-Increase flame to “HIGH” setting.

### Possible Cause 2: Low on Natural gas.

-Call your local gas company.

### Possible Cause 3: Excess flow valve tripped.

-Refer to “Problem: Sudden drop in gas flow”

If these trouble shooting steps are unable to resolve the problem,  
please call the number listed below

**For Technical Support Contact Real Flame at: 1-800-654-1704**

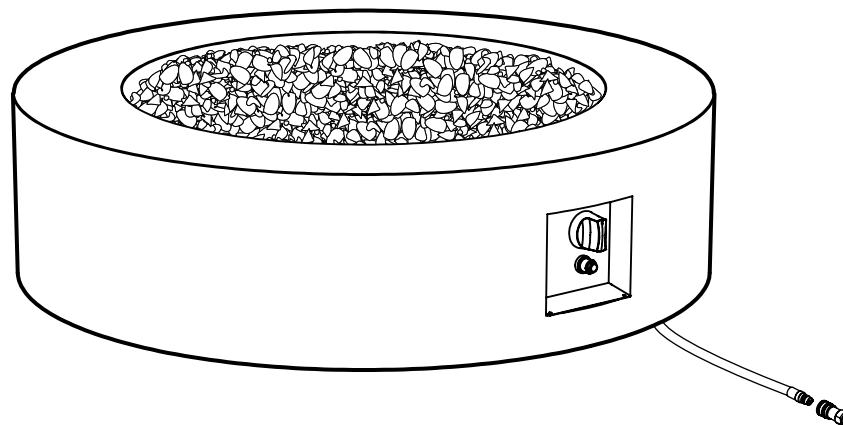
Lot: \_\_\_\_\_

PO: \_\_\_\_\_

# RESTORATION HARDWARE

Manuel Du Propriétaire De La Table-foyer Circulaire Laguna

Style # 26100232



Pour le support technique  
S'il vous plaît nous contacter:  
1-800-654-1704



**! IMPORTANT**  
**CONSERVER CES**  
**INSTRUCTIONS**

**! AVERTISSEMENT**  
Pour un usage extérieur  
exclusivement. **NE PAS**  
utiliser pour la cuisson. **NE**  
**PAS** utiliser sous une  
enceinte couverte.



Designed and Engineered by  
Real Flame. Manufactured as  
Model # 11507N in China

## **! AVERTISSEMENT**

La négligence à suivre  
scrupuleusement les instructions  
contenues dans ce manuel peut  
provoquer un incendie ou une  
explosion occasionnant des  
dommages à la propriété, des  
blessures sérieuses et même la  
mort.

L'installation et l'entretien doivent  
être faits par un installateur qualifié,  
une compagnie d'entretien ou un  
fournisseur de gaz.

Une installation, une mise au point, une  
modification ou un entretien inappropriés  
peuvent occasionner des blessures ou des  
dommages à la propriété.

Lire attentivement les instructions  
concernant l'installation, l'utilisation et  
l'entretien avant d'installer ou d'utiliser  
l'appareil.

Garder ces instructions pour une  
consultation future. Si vous assemblez cet  
appareil pour quelqu'un d'autre, lui  
donner le manuel pour lecture et  
consultation futures.

## **! DANGER**

Si vous percevez une odeur de gaz :

1. Couper l'alimentation en gaz de l'appareil.
2. Éteindre toute flamme nue.
3. Si l'odeur persiste, vous éloigner de l'appareil et appeler immédiatement votre fournisseur de gaz ou le service des incendies.

## **! AVERTISSEMENT**

Ne pas entreposer ou utiliser d'essence,  
de vapeurs ou liquides inflammables à  
proximité de cet appareil ou de tout  
autre appareil.

Cet appareil n'est pas conçu pour être  
utilisé avec du propane. Utiliser du gaz  
naturel uniquement.



## DANGER

### DANGER DE MONOXYDE DE CARBONE

Cet appareil peut produire du monoxyde de carbone, lequel est toujours inodore.

Utiliser cet appareil dans un endroit fermé peut causer la mort.

Ne jamais utiliser cet appareil dans un espace fermé comme une fourgonnette de camping, une tente, une voiture ou à l'intérieur de la maison.



## Table Des Matières

Instruction de sécurité importante	3
Avertissements de gaz naturel	5
Liste des pièces	7
Les instructions d'assemblage de base	8
Instructions Avant Usage	9
Instructions pour l'assemblage	10
Connexion à une source de gaz naturel	11
Instructions pour l'allumage	13
Entretien Et Nettoyage	14
Vérifications entourant le gaz	15
Dépannage	17

# Instruction De Sécurité Importante



**AVERTISSEMENT** LA TABLE-FOYER EST CONÇUE EXCLUSIVEMENT POUR L'EXTÉRIEUR



**AVERTISSEMENT** N'EST PAS CONÇU POUR ÊTRE UTILISÉ AVEC DU PROPANE LIQUIDE

## SI VOUS PERCEVEZ UNE ODEUR DE GAZ

- Couper l'alimentation en gaz de la table-foyer.
- Éteindre toute flamme nue.
- N'allumer aucun appareil.
- Ne toucher aucun interrupteur électrique; n'utiliser aucun téléphone de l'immeuble.
- Appeler immédiatement un fournisseur de gaz d'un téléphone de votre voisinage.
- Suivre les instructions de votre fournisseur de gaz.
- Si vous ne pouvez parler à votre fournisseur de gaz, appeler le service des incendies.

- **AVERTISSEMENT** Toujours fermer l'alimentation en gaz à la source par la soupape d'arrêt et débrancher l'embout de déconnexion rapide lorsque l'appareil n'est pas en fonction.
- **AVERTISSEMENT** L'installation et le service doivent être faits par un installateur qualifié, une agence de service ou un fournisseur en gaz.
- **AVERTISSEMENT** La négligence à suivre les avertissements de danger et de précautions de ce manuel peut occasionner des blessures corporelles sérieuses ou la mort ou provoquer un incendie ou une explosion occasionnant des dommages à la propriété.
- **AVIS IMPORTANT** Lire et comprendre tous les avertissements et toutes les précautions avant de procéder à l'assemblage et à l'utilisation de votre table-foyer au gaz. Une installation, une mise au point, une modification ou un entretien inappropriés peuvent occasionner des blessures et des dommages à la propriété.
- **NOTE** L'utilisation et l'installation de ce produit doivent être conformes aux règlements en vigueur dans votre région. En l'absence de règlements, utiliser les règlements nationaux régissant l'utilisation du gaz ANSI Z223.1/NFPA547. Se reporter aux codes d'installation du gaz naturel et du gaz propane (CSA B149.1) et à l'entreposage et la manipulation du propane (B149.2).
- **NOTE:** Quand un appareil est conçu pour un branchement sur un système de conduites fixe, l'installation doit être conforme aux règles en vigueur dans votre région, ou en l'absence de règles régionales, au National Fuel Gas code, ANSI Z223.1 / NFPA 54, ou au International Fuel Gas Code.
- **Dégagement minimum de l'unité des matériaux combustibles**  
72" (182.9cm) du dessus; 48" (121.9 cm) de chacun des côtés et du derrière. Ne pas installer cette table-foyer sous une enceinte couverte.
- Toujours utiliser cette table-foyer extérieure sur une surface dure, de niveau et non combustible comme le béton, la roche ou la pierre. L'asphalte et les revêtements hydrocarbonés ne sont pas acceptables pour cet usage
- Cette table-foyer au gaz et sa soupape d'arrêt individuelle doivent être débranchées du système d'alimentation en gaz durant les tests de pression de ce système pour des tests de pressions au-delà de 1/2 psi (3.5 kPa). L'appareil doit être isolé du système d'alimentation en gaz en fermant manuellement sa soupape d'arrêt individuelle durant les tests de pression du système d'alimentation en gaz pour les tests équivalant à 1/2 psi (3.5 kPa) ou moins.
- Garder ces instructions pour une consultation future. Si vous assemblez cet appareil pour quelqu'un d'autre, lui donner le manuel pour une lecture et une consultation futures.
- Cette table-foyer au gaz est conçue pour un usage extérieur SEULEMENT, dans un endroit bien ventilé et ne doit PAS être utilisée dans un immeuble, un garage ou tout autre endroit fermé.
- NE PAS utiliser cette table-foyer extérieure pour chauffer à l'intérieur. Les vapeurs TOXIQUES de monoxyde de carbone peuvent s'accumuler et provoquer une asphyxie.
- NE JAMAIS LAISSER cette table-foyer au gaz sans surveillance lors de son usage.

## Instruction De Sécurité Importante

- Les enfants devraient être prévenus des dangers de brûlures s'ils touchent les surfaces très chaudes et devraient être tenus à une distance sécuritaire du feu lorsque la table foyer est en usage. Ne pas entreposer ou utiliser d'essence, de liquides ou vapeurs inflammables à au moins 25 pieds (7,62 m) de cet appareil ou de tout autre appareil.
- Ne pas entreposer de matériaux combustibles dans l'enceinte de la base.
- NE PAS utiliser dans un environnement où des vapeurs inflammables peuvent s'accumuler. Mettre la table-foyer dans un endroit dégagé et libre de tous matériaux combustibles, d'essence, de liquides et de vapeurs inflammables.
- Cette table-foyer extérieure ne doit PAS être utilisée par des enfants. Les jeunes enfants devraient faire l'objet d'une surveillance constante lorsqu'ils sont à proximité de la table-foyer extérieure.
- Cette table-foyer extérieure ne doit pas être installée ou utilisée dans ou sur des véhicules récréatifs et /ou sur des bateaux.
- Toujours utiliser selon les règlements locaux, nationaux ou provinciaux en vigueur. Contacter le service des incendies de votre localité pour connaître les détails concernant les feux extérieurs.
- User, avec cette table-foyer extérieure, des mêmes précautions que vous le feriez avec un feu extérieur.
- NE PAS brûler de combustibles solides tels que du bois, des briquettes de charbon, du charbon de bois en blocs, des bûches manufacturées, du bois de grève, des déchets, des feuilles, du papier, du contreplaqué, du bois traité peint ou teint dans cette table-foyer extérieure.
- NE PAS utiliser cette table-foyer extérieure avant qu'elle soit complètement assemblée et que toutes les pièces soient fixées et solidifiées de façon sécuritaire.
- NE PAS utiliser cette table-foyer extérieure près des voitures, des camions, des fourgonnettes ou des véhicules récréatifs.
- NE PAS utiliser cette table-foyer extérieure sous des abris couverts ou près de constructions combustibles non protégées. Éviter l'utilisation près ou sous les arbres et les arbustes.
- L'utilisation d'alcool, de médicaments ou de drogues peut altérer les capacités d'un individu et l'empêcher de bien assembler ou d'utiliser de façon sécuritaire cette table-foyer extérieure.
- NE PAS utiliser cette table-foyer extérieure si des parties sont sous l'eau. Appeler immédiatement un technicien qualifié pour inspecter la table-foyer et pour remplacer toute pièce ou système de commande et toute commande de gaz qui auraient été sous l'eau.
- NE PAS porter de vêtements inflammables ou amples lors de l'utilisation de cette table-foyer extérieure.
- NE PAS utiliser par temps venteux.
- Garder les rallonges électriques éloignées d'une table-foyer extérieure qui est chaude.
- Certaines parties de cette table-foyer extérieure deviennent trop chaudes pour être touchées lors de l'utilisation. Ne pas toucher les surfaces chaudes avant que l'appareil n'ait refroidi, à moins que vous n'utilisiez un dispositif de protection comme des gants isolés pour le four ou des poignées afin d'éviter des brûlures
- NE PAS accrocher ou placer des vêtements ou matériaux inflammables sur ou près de la table-foyer au gaz.
- Toute protection ou tout autre dispositif de sécurité enlevé lors de l'entretien courant doit être remplacé avant de réutiliser la table-foyer.
- NE PAS tenter de déplacer ou d'entreposer cette table-foyer extérieure avant que toutes les pièces n'aient refroidi.
- NE PAS vous pencher au-dessus de cette table-foyer lorsque le feu est allumé ou qu'elle est en usage.
- Toute protection ou tout autre dispositif de sécurité enlevé lors de l'entretien courant doit être remplacé avant de réutiliser la table-foyer.
- NE PAS tenter de débrancher le tuyau de gaz naturel ou l'embout du mécanisme de déconnexion rapide du système central d'alimentation en gaz, ou de tout autre raccord de gaz lorsque le foyer est en fonction.

# Instruction De Sécurité Importante

- Toujours fermer l'alimentation en gaz par la soupape d'arrêt et débrancher l'embout de déconnexion rapide de la source de gaz principale lorsque l'appareil n'est pas en fonction.
- NE PAS vous asseoir sur le manteau lorsque l'appareil est en usage.
- NE PAS lancer d'objets sur le feu lorsque l'appareil est en usage.
- Les pierres de lave sont très chaudes; tenir les enfants et les animaux domestiques à une distance sécuritaire.
- Il est très important de garder le compartiment à soupape de la table-foyer extérieure, ses brûleurs et les passages de circulation d'air toujours propres. Inspecter votre table-foyer extérieure avant chaque usage.
- Avant chaque utilisation, vérifier le tuyau à l'affût d'abrasion excessive, d'usure en regardant à travers le trou d'inspection visuelle. Si le tuyau est endommagé, fissuré ou coupé, il doit être remplacé avant d'utiliser la table-foyer au gaz. L'ensemble de tuyaux ne peut être remplacé que par un ensemble recommandé par le fabricant. Contacter Real Flame au 1 800-654-1704.
- Avant chaque usage, retirer les pierres de lave. Examiner le brûleur et ses composantes. S'il y a des saletés, nettoyer avec une brosse douce et une solution d'eau savonneuse. Examiner ce qui entoure le brûleur, toutes saletés ou tous matériaux étrangers tels que des nids ou des toiles d'araignée devraient être enlevés. S'il y a évidence de dommage au brûleur, la table-foyer ne devrait pas être utilisée. L'ensemble du brûleur ne peut être remplacé. Contacter Real Flame au 1 800-654-1704 pour un soutien technique.
- Garder le tuyau hors de la circulation afin que personne ne trébuche sur celui-ci. Ne pas placer le tuyau dans un endroit où il pourrait subir des dommages accidentels.

## AVERTISSEMENT

Cette table-foyer extérieure est conçue pour être utilisée avec du gaz propane exclusivement (PL). Convertir ou tenter d'utiliser du gaz naturel dans cette table-foyer extérieure est dangereux et peut occasionner des blessures sérieuses ou des dommages à la propriété

ATTENTION: Toute modification de la table-foyer en plein air qui n'est pas spécifiquement dirigée dans le manuel d'exploitation annule la garantie constructeur.

## Dangers Et Mises En Garde Concernant Le Gaz Naturel

Le gaz naturel est inflammable et dangereux s'il n'est pas manipulé selon les règles. Soyez bien au fait de ses caractéristiques avant d'utiliser des produits utilisant le gaz naturel.

Les caractéristiques du gaz naturel

- Il est inflammable, explosif sous pression, plus léger que l'air, et s'accumule en se dirigeant vers le haut.
- À son état naturel, le gaz naturel est inodore. Pour votre sécurité, une matière odorante a été ajoutée.
- Le contact avec le gaz naturel peut brûler votre peau.
- Le gaz naturel est extrêmement inflammable et dangereux s'il n'est pas manipulé selon les règles.

Des produits chimiques générés par la production du gaz naturel et reconnus par l'État de Californie peuvent occasionner le cancer, des anomalies congénitales ou d'autres dangers pour l'appareil reproducteur.

Votre foyer au gaz naturel est conçu pour être utilisé avec du gaz naturel seulement, à une pression de sept pouces de colonne d'eau (7 po CE). Vérifier, avec votre service de distribution de gaz, la pression de gaz ayant cours dans votre région parce que cette pression peut varier d'une région à l'autre. Consulter votre distributeur de gaz ou votre code du bâtiment régional pour connaître les instructions d'une bonne installation d'une conduite de gaz ou contacter un installateur qualifié et agréé.

# Dangers Et Mises En Garde Concernant Le Gaz Naturel

Il est recommandé d'installer une soupape d'arrêt manuel ON / OFF à la source de l'alimentation en gaz. À l'extérieur : tout juste à l'endroit où la conduite de gaz sort du mur extérieur et avant l'embout de débranchement rapide ou avant que la conduite de gaz entre dans le sol.

À l'intérieur : dans un branchement de gaz situé dans un endroit accessible près de la conduite d'alimentation en gaz.

Mettre un mastic d'étanchéité ou du ruban à filetage de conduite résistant à l'action du gaz naturel sur tous les filetages mâles de la tuyauterie. Mettre le mastic ou le ruban aux trois ou quatre premiers fils lors du branchement.

Ne jamais entreposer ou utiliser d'essence ou toutes autres substances volatiles à proximité de cette table-foyer.

## Branchement du gaz naturel

Mettre un mastic d'étanchéité ou du ruban à filetage de conduite résistant à l'action du gaz naturel sur tout le filetage de la tuyauterie mâle. Brancher l'extrémité du tuyau de gaz (avec l'embout de débranchement rapide) à la soupape d'arrêt manuel branchée à l'alimentation en gaz.

### MISE EN GARDE

Durant les tests de haute pression du système d'alimentation en gaz supérieurs à  $\frac{1}{2}$  lb/po<sup>2</sup> (3,5 kPa), votre table-foyer et sa soupape d'arrêt individuelle doivent être débranchées du système d'alimentation en gaz.

La table-foyer extérieure doit être isolée du système d'alimentation en gaz en fermant la soupape d'arrêt individuelle pendant les tests de pression du système d'alimentation en gaz égaux ou inférieurs à  $\frac{1}{2}$  lb/po<sup>2</sup> (3,5 kPa).

### AVERTISSEMENT

Les soupapes du brûleur sont prétestées à l'usine pour fonctionner avec le gaz naturel. Ne pas tenter de les transformer ou de les modifier.

Il faut que les enfants et adultes soient avertis des dangers des surfaces chaudes et qu'ils se tiennent à une distance sécuritaire afin d'éviter les brûlures ou l'inflammation des vêtements.

Il faut surveiller soigneusement les jeunes enfants quand ils sont à proximité de cet appareil d'extérieur.

Ne suspendez ni placez jamais les vêtements ni d'autres matériaux inflammables au-dessus ou à proximité de l'appareil.

Il faut remplacer tout revêtement de protection ou autre dispositif de sécurité enlevé pour l'entretien de l'appareil avant de faire fonctionner cet appareil.

L'installation et la réparation doivent se faire par un technicien d'entretien qualifié. L'appareil doit être inspecté par un technicien d'entretien qualifié avant l'usage et au moins une fois par an. Un nettoyage plus fréquent peut être nécessaire au besoin. Il faut garder propres le compartiment de commande, les brûleurs et les voies de circulation d'air.

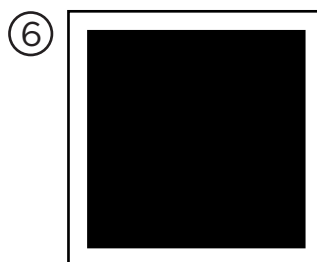
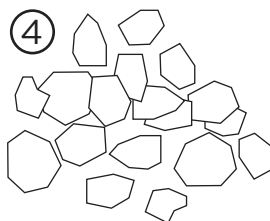
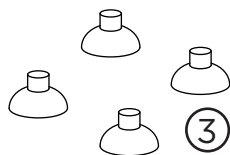
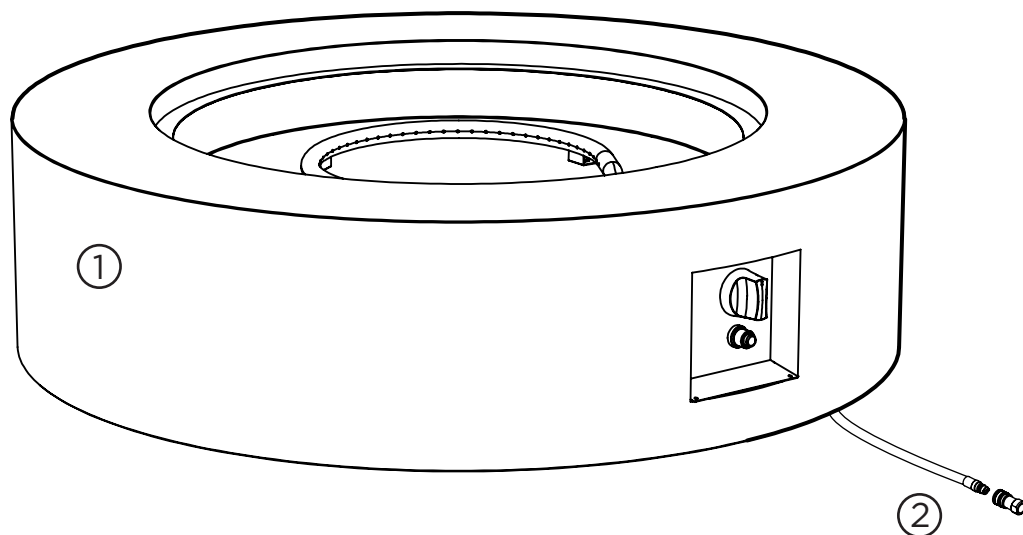
## Avertissement pour pierres de lave:

1. N'allumez ni utilisez pas la table-foyer si les pierres de lave sont mouillées. Assurez-vous que les pierres de lave sont complètement sèches avant d'allumer. La chaleur intense peut fêler les pierres de lave et elles pourraient frapper quelqu'un occasionnant une blessure.
2. Écartez-vous de la table-foyer pendant les premières 20 minutes après son allumage initiale puisque les pierres de lave peuvent retenir de l'humidité provenant de la fabrication et le transport.



# Liste Des Pièces

①	Table-foyer		1
②	Tuyau de gaz naturel et connecteur rapide	056NG010	1
③	Pieds	05600006	4
④	Pierres de lave	05603408	9 kgs (1 boîte)
⑤	Pile AAA	00500000	1
⑥	Couvercle en vinyle		1



# Instructions Pour L'assemblage

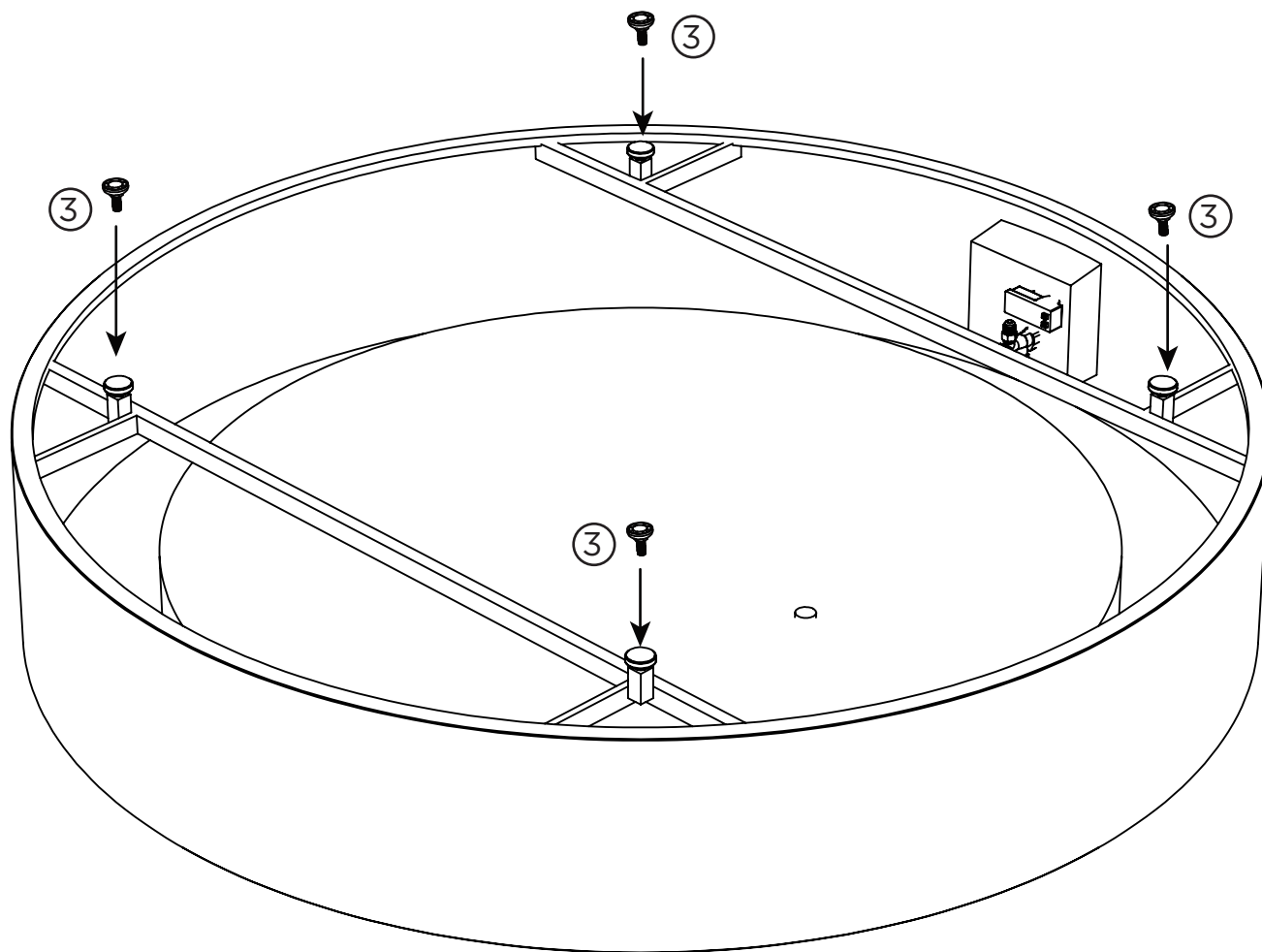
1

La table-foyer est très lourde, toujours être accompagné d'une autre personne pour vous aider lorsque vous déplacez ou retournez l'appareil.

Mettre la table à l'envers, installer les quatre pieds en les vissant dans les trous situés aux coins de l'appareil.

## AVERTISSEMENT

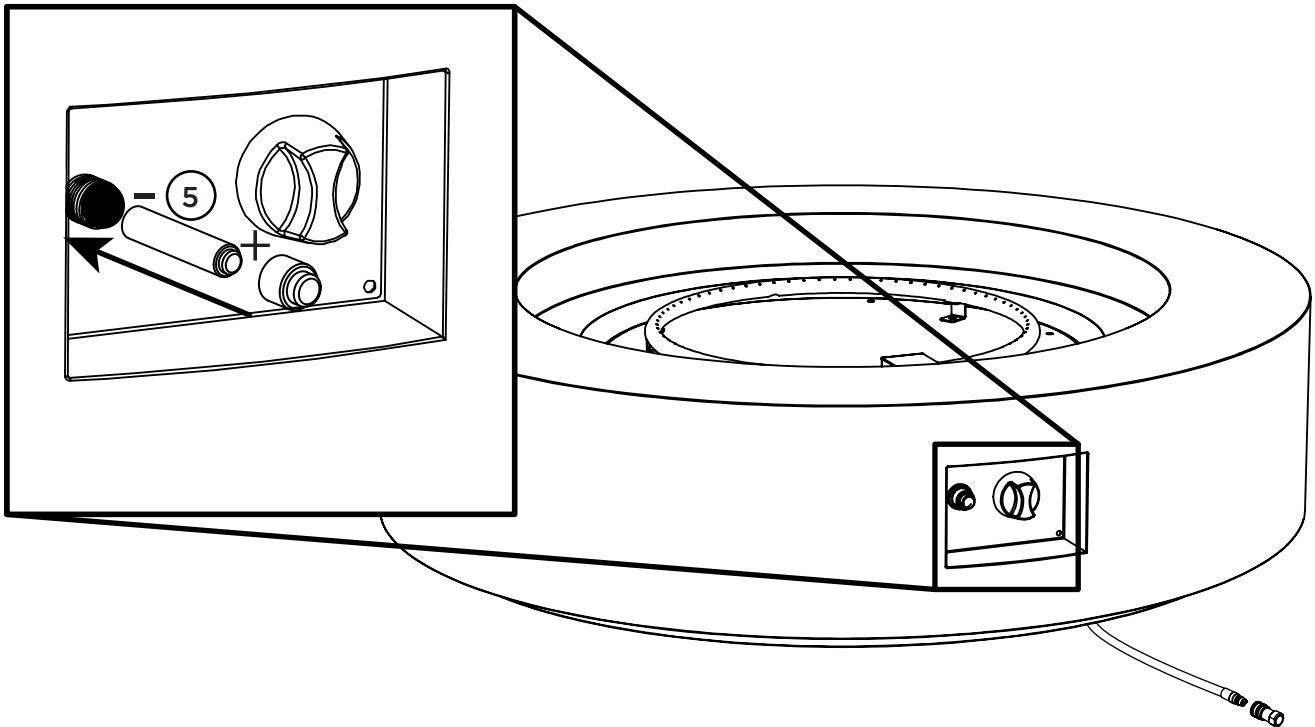
Retourner la table avec l'aide d'une autre personne. Ne pas tenter de retourner la table par vos seules forces afin d'éviter des blessures ou des dommages à la table.



# INSTRUCTIONS POUR L'ASSEMBLAGE

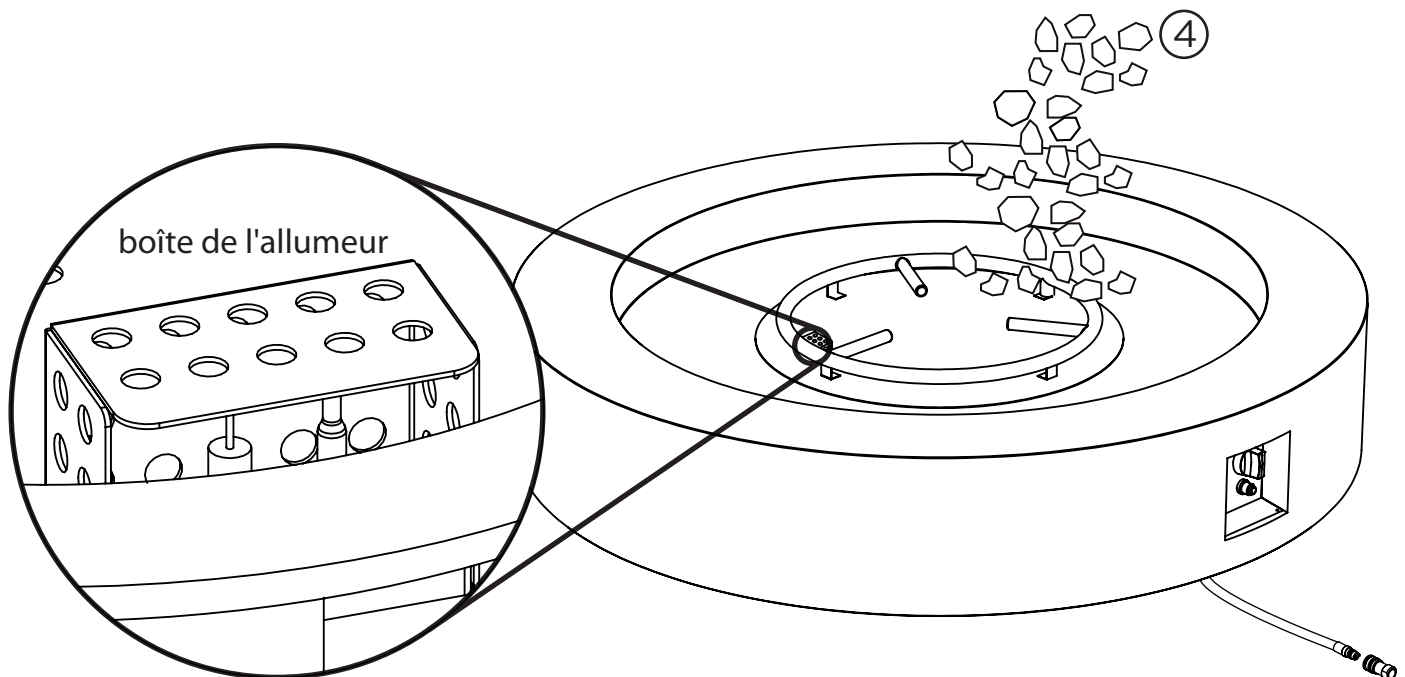
Installer la pile AAA (voir le diagramme ici-bas).

2



5

Retirez la pellicule de protection bleue à partir du bac de combustion en acier inoxydable. Étendre la pierre de lave à la main. NE PAS vider le sac sur la grille afin d'éviter de boucher le brûleur avec de la poussière. Mettre la pierre de lave (9kgs) jusqu'à 1 pouce (2,54cm) au-dessus de la partie supérieure du brûleur. Vous assurer de ne pas bloquer la boîte d'allumage avec la pierre de lave afin d'avoir un bon allumage.

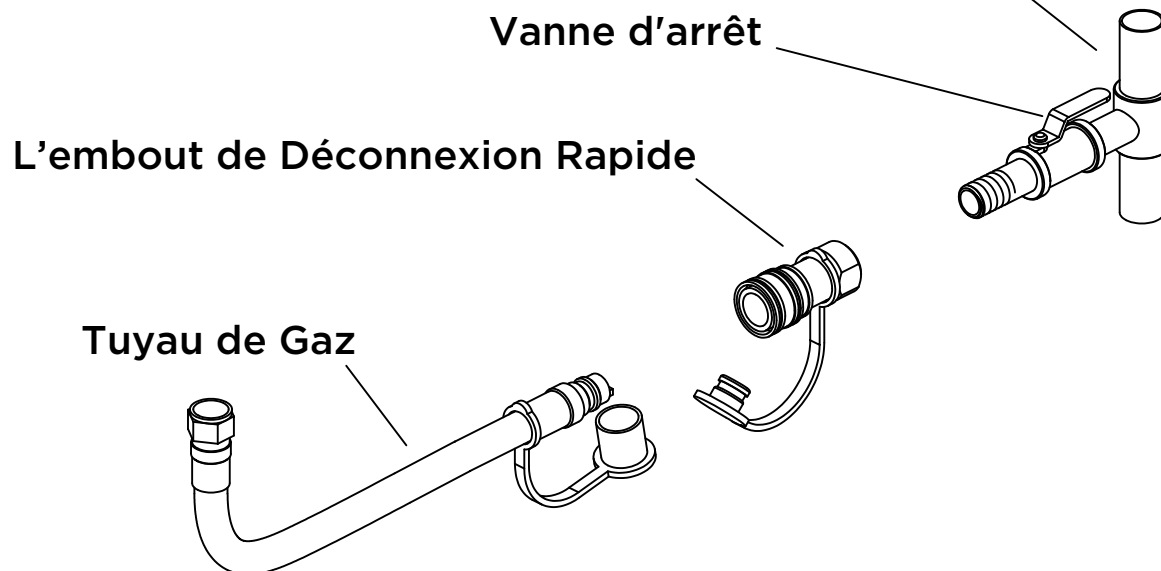


## Branchement de votre table-foyer à la source d'alimentation en gaz

Le National Fuel Gas Code recommande l'installation professionnelle d'une soupape d'arrêt entre la conduite d'alimentation et l'embout. Le branchement de l'embout doit être fait à l'extérieur.

6

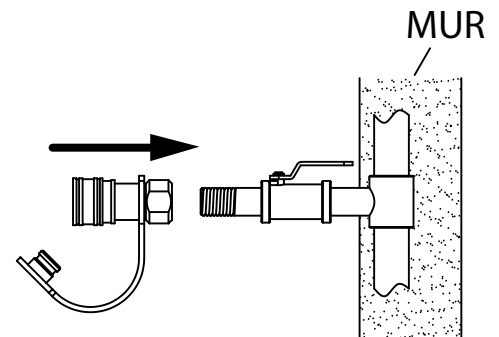
### Tuyauterie Maison de Gaz Naturel



### Branchement de l'embout

Enrober le raccord fileté de la conduite de gaz de mastic résistant au gaz ou d'un ruban teflon approuvé. Visser l'embout sur le tuyau de gaz (à la source de gaz de la résidence) tel que montré à la droite et serrer fermement.

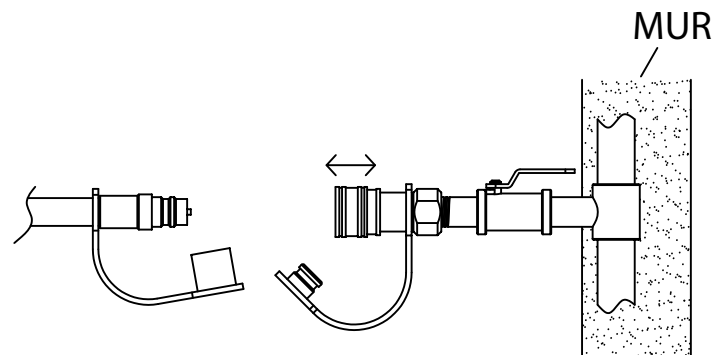
L'embout de débranchement rapide ne devrait jamais être branché à la table-foyer. La direction de l'écoulement gazeux est indiquée sur l'embout.



### Utilisation de l'embout de branchement rapide

Repousser la douille de l'embout de débranchement rapide et insérer l'extrémité du tuyau de gaz dans l'embout. Relâcher la douille et continuer de pousser le tuyau dans l'embout jusqu'à ce que la douille s'engage par un claquement et soit bien bloquée.

Après avoir fait tous les branchements, procéder à un test d'étanchéité tel que décrit à la page 9 de ce manuel.



# INSTRUCTIONS AVANT USAGE

## 7

**⚠ AVERTISSEMENT** Avant d'utiliser la table-foyer extérieure, vous assurer d'avoir lu, compris et suivi toutes les informations fournies dans la partie « Importante information de sécurité » de ce manuel. La négligence à suivre ces instructions peut occasionner des blessures sérieuses, des dommages à la propriété et même la mort.

Avant chaque utilisation du foyer au gaz, vérifier le tuyau et la soupape par l'ouverture d'inspection visuelle sur le côté de la base afin de détecter une abrasion ou une usure excessive.

### RACCORDS DU BRÛLEUR

Vous assurer que le tuyau du gaz naturel et l'embout de déconnexion rapide sont serrés de façon sécuritaire au brûleur et à l'alimentation en gaz. Si l'appareil a été assemblé par quelqu'un d'autre que vous, vérifier visuellement le raccord entre le tuyau du brûleur et l'orifice. Vous assurer que le tuyau du brûleur s'ajuste parfaitement par-dessus l'orifice.

**⚠ AVERTISSEMENT** La négligence à inspecter ce raccord ou à suivre ces instructions peut occasionner un incendie ou une explosion causant des blessures sérieuses et même la mort.

Veillez vous reporter au diagramme pour une bonne installation. Si le tuyau du brûleur ne s'ajuste pas parfaitement à l'orifice, contacter le service à la clientèle de Real Flame® 1 800-654-1704 pour assistance.

### VÉRIFICATION DES FUITES

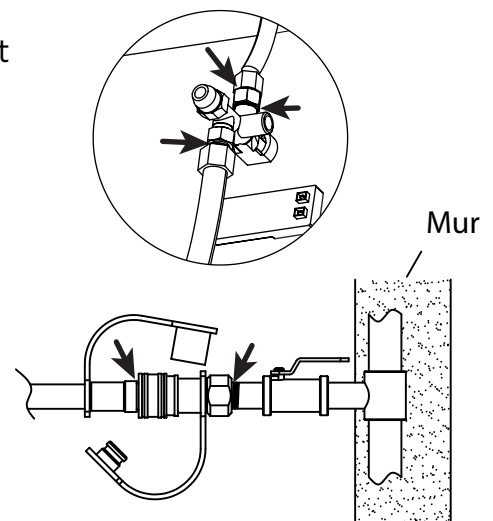
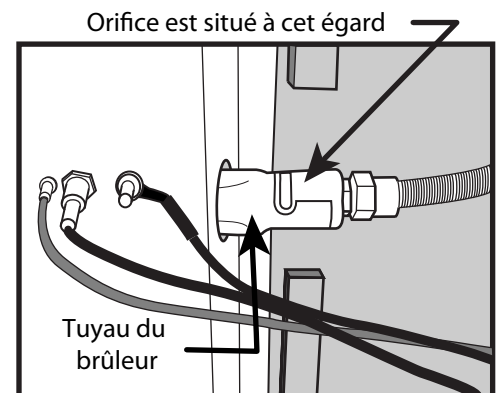
Faire une solution pour détection de fuite en mélangeant 1 partie de savon à vaisselle à 3 parties d'eau dans un flacon de pulvérisation.

Vous assurer que le bouton de contrôle est en position « OFF ». Ensuite, ouvrir le gaz naturel à la source.

Vaporiser la solution de détection de fuite sur les raccords de la soupape en portant une attention particulière aux endroits marqués par des flèches.

Si des bulles apparaissent, fermer l'alimentation en gaz, rebrancher et refaire un test. Si vous voyez toujours des bulles après plusieurs tentatives, débrancher l'alimentation en gaz à la source, et contacter Real Flame au 1 800 654-1704 pour de l'assistance.

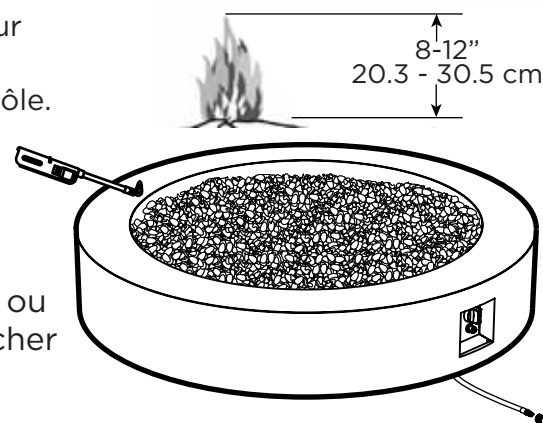
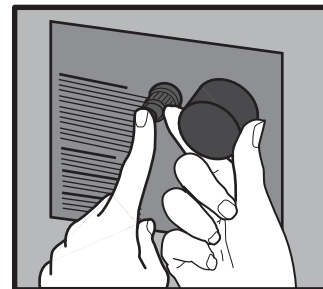
Si aucune bulle n'apparaît après une minute, mettez la source de gaz au large, essayer la solution savonneuse et poursuivre la mise en marche.



Vérifier les fuites à ces endroits précis

**Utilisant l'allumeur**

1. Lire et comprendre toutes les instructions de la mise en marche avant l'allumage. Vous assurer que toutes les pellicules protectrices ont été enlevées autour du plateau du brûleur en inox avant l'allumage.
2. Le bouton de contrôle du brûleur doit être en position « OFF ».
3. Brancher l'alimentation en gaz (voir les pages précédentes).
4. Ouvrir l'alimentation en gaz de l'appareil.
5. Pousser et retenir le bouton d'allumage pour produire des étincelles.
6. Tout en tenant le bouton d'allumage d'une main, avec l'autre main, pousser et tourner le bouton de contrôle en position «LIGHT» pour allumer le brûleur.
7. Continuer la pression sur le bouton de contrôle du brûleur durant 15 à 30 secondes après l'ignition.
8. Si l'allumage ne se produit pas après 30 secondes, mettre le bouton de contrôle en position « OFF » et fermer complètement la source d'alimentation en gaz, attendre 5 minutes pour que les vapeurs de gaz se soient évaporées et répéter la procédure d'allumage.
9. Après l'allumage, tourner le bouton de contrôle du brûleur dans le sens contraire des aiguilles d'une montre à la position « LOW ». Observer la flamme, vous assurer que tous les orifices du brûleur sont allumés. La hauteur des flammes ne devrait pas dépasser 13 pouces (33,02 cm).
10. Ajuster la flamme à la hauteur désirée avec le bouton de contrôle.

**Utilisation d'une longue allumette ou d'un briquet**

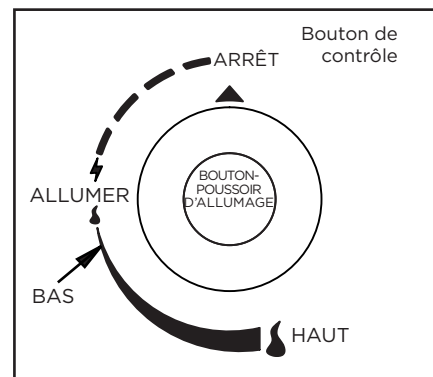
1. Avant l'allumage, avec une pelle, déplacer les pierres de lave pour avoir accès au brûleur.
2. Avec des gants de protection, mettre la longue allumette ou le briquet au butane à côté du brûleur. NE PAS vous pencher au dessus de la table-foyer lors de l'allumage.
3. Tourner le bouton de contrôle dans le sens contraire des aiguilles d'une montre à « LIGHT »
4. Retirer la longue allumette ou le briquet à manche allongé.
5. Après l'allumage, en portant des gants de protection, utiliser une pelle pour replacer doucement les pierres de lave à leur position initiale.
6. Après l'allumage, tourner le bouton de contrôle du brûleur dans le sens contraire des aiguilles d'une montre à la position « LOW ». Observer la flamme, vous assurer que tous les orifices du brûleur sont allumés. La hauteur de la flamme ne devrait pas dépasser 13 pouces (33,02 cm).
7. Ajuster la flamme à la hauteur désirée en vous servant du bouton de contrôle.

**⚠ AVERTISSEMENT**  
En allumant votre table-foyer selon cette méthode, vous devez utiliser des gants de protection résistants à la chaleur et suivre les instructions étape par étape. La négligence pourrait conduire à des blessures sérieuses.

**⚠ AVERTISSEMENT**

Si la flamme du brûleur s'éteint durant cette procédure, mettre immédiatement le bouton de contrôle en position « OFF » et laisser les vapeurs de gaz s'évaporer pendant au moins 5 minutes avant de tenter de rallumer la table-foyer.


**Pour du soutien additionnel, vous reporter aux pages traitant du dépannage à la page 18.**



# Entretien Et Nettoyage

## l'inspection

Cette table-foyer extérieure doit être inspectée régulièrement pour vous assurer de sa sécurité et pour prolonger sa durée de vie.

 **AVERTISSEMENT** NE PAS faire l'inspection de ce foyer extérieur avant qu'il ne soit COMPLÈTEMENT éteint.


1. Vérifier le brûleur en vous assurant qu'il est en place de façon sécuritaire.
2. Vérifier le tube de venturi (diffuseur) en vous assurant qu'il est libre d'insectes, de nids d'araignée ou d'autres débris.
3. Vérifier tous les raccords de gaz en portant attention aux fuites.
4. Vérifier le système d'allumage en vous assurant de la production d'étincelles.
5. Vérifier toutes les composantes, vous assurant de la présence d'aucune usure excessive, d'aucun dommage ou de rouille.
6. Si vous observez des dommages, NE PAS utiliser jusqu'à ce que les réparations soient effectuées.

 **AVERTISSEMENT** NE PAS altérer ou modifier cet appareil. Cela serait très DANGEREUX et annulerait la garantie. Toute pièce qui doit être changée doit être remplacée par une pièce approuvée et confirmée par le fabricant. Pour l'assistance technique, contacter Real Flame au 1 800-654-1704.

## Soin et entretien d'usage

Ce foyer pour l'extérieur devrait être nettoyé régulièrement pour vous assurer de sa sécurité et pour prolonger sa durée de vie.

Note : Après une utilisation répétée, une légère décoloration du fini peut survenir.

 **AVERTISSEMENT** NE PAS tenter de nettoyer ce foyer extérieur à moins que le feu est complètement éteint et l'appareil est froid au toucher.  
NE PAS utiliser de nettoyeur à four ou de nettoyeurs abrasifs car ils peuvent endommager ce produit.  
NE PAS UTILISER DE SOLVANTS tandis que dans les espaces clos ou en fumant.

## Table et le verre


1. Essuyer les surfaces externes avec un chiffon imbibé d'eau savonneuse ou du bicarbonate de soude et rincer avec une eau propre.

## Acier inoxydable

1. Pour l'entretien régulier, utiliser une eau tiède et du savon ou un détergent avec un chiffon doux ou une éponge.
2. Pour les traces de doigt ou les saletés, utiliser le Nettoyeur et Poli à inox 3M, Arcal 20, Lac-O-Nu, Lumin Wash, O'Cedar Cream Polish, Stainless Shine, Il fournira une barrière protectrice qui minimisera les traces de doigt.\*
3. Pour les taches tenaces et la décoloration, utiliser le Nettoyeur et Poli à inox 3M Allchem Concentrated Cleaner, Samae, Twinkle, Cameo Copper Cleaner, Liquid Nu Steel, Copper's or Revere avec un chiffon doux dans le sens des lignes du fini.\*
4. Même les poudres de nettoyages les plus fines peuvent rayer ou brunir une finition d'usine laminés. Le frottement ou l'essuyage doit être fait dans le sens de lignes de la finition sur les finitions polies.

\*L'utilisation des noms de propriété est destinée seulement à nommer un type de nettoyeur et ne constitue pas un endossement. L'omission d'autres noms de propriété de nettoyeurs ne signifie pas que ces produits ne soient pas adéquats. Tout produit doit être utilisé selon les recommandations inscrites sur le produit.

## Stockage

 **AVERTISSEMENT** NE PAS déplacer ou entreposer cette table-foyer tant que le feu ne soit COMPLÈTEMENT éteint et que la table soit froide au toucher.

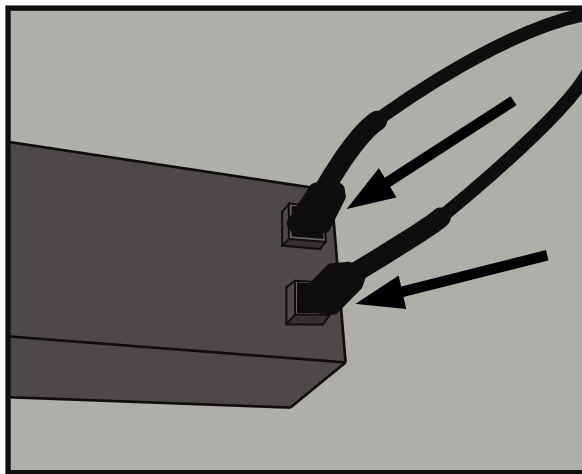
1. FERMER l'alimentation en gaz à partir du raccord du réservoir. Retirer le réservoir et l'entreposer dans un endroit frais et sec à l'extérieur et hors de portée des enfants.
2. Retirer doucement les pierres et entreposer les composantes à plat pour les protéger de tout bris.
3. TOUJOURS couvrir votre table-foyer extérieure avec la housse protectrice fournie avec l'appareil quand il n'est pas en usage.
4. Entreposer dans un endroit frais et sec hors de portée des enfants et des animaux domestiques.



## Vérification Des Composantes Du Raccord En Gaz

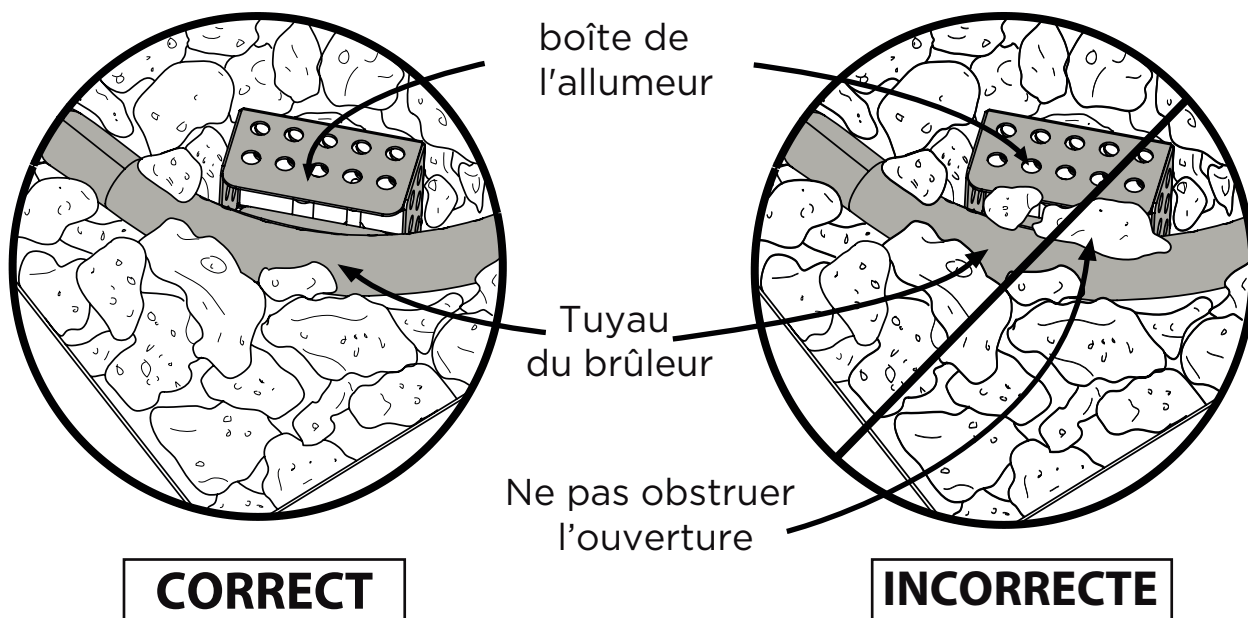
**Si le brûleur ne s'allume pas ou ne reste pas allumé, procédez aux vérifications suivantes.**

1. Vous assurer que le fil de l'électrode est correctement branché. Les deux fils de l'électrode doivent être complètement insérés dans la boîte d'allumage.

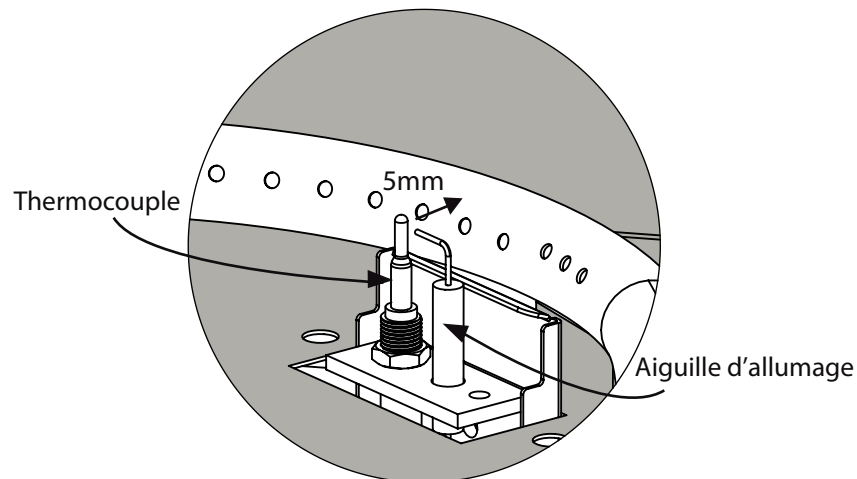


2. Vous assurer que le boîte de l'allumeur n'est pas obstrué.

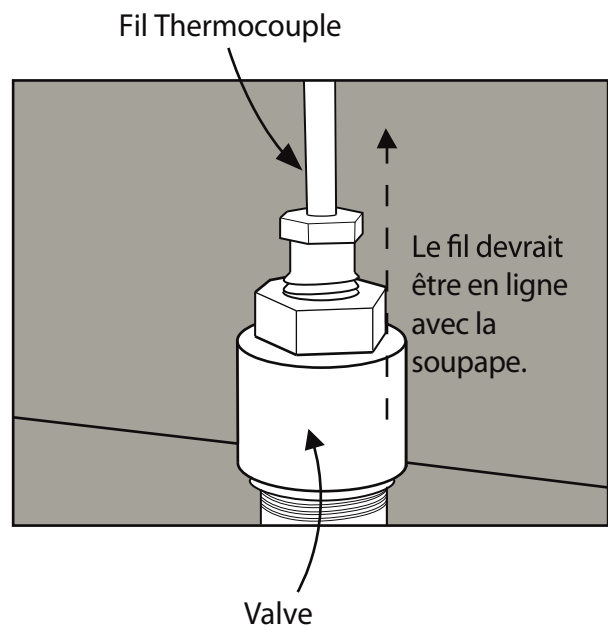
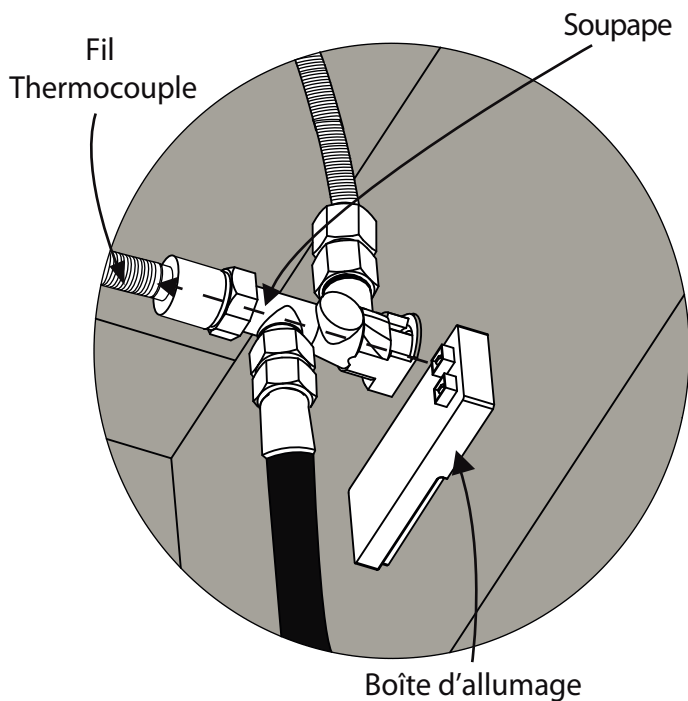
Enlever tous les débris sur le dessus du boîte de l'allumeur et vous assurer qu'il n'y a aucun débris entre l'aiguille d'allumeur, le thermocouple et le tuyau du brûleur.



# Vérification Des Composantes Du Raccord En Gaz



3. Vous assurer que l'aiguille d'allumage et le thermocouple sont correctement positionnés.
- L'aiguille d'allumage devrait pointer directement vers le thermocouple.
  - Le thermocouple devrait se situer à 5 mm de distance du tuyau du brûleur.



4. Assurez-vous que le fil du thermocouple est correctement positionné. Le fil de thermocouple devrait être en ligne avec la valve.

# Dépannage

## Problème: Le brûleur ne s'allume pas en utilisant l'allumeur

### Cause possible 1: L'électrode et les brûleurs sont humides.

- Essuyer avec un linge sec.

### Cause possible 2: La pile de l'allumeur est morte ou à l'envers.

- Vérifier si la pile AAA est insérée correctement dans l'allumeur (voir page 10) ou remplacer la pile.

### Cause possible 3: L'aiguille d'allumage est fissurée ou brisée - étincelles à la fissure.

- Contacter Real Flame au 1 800-654-1704 pour du soutien technique.

### Cause possible 4: Fil lâche ou débranché.

- Voir page 15, étape 1, rebrancher le fil. Contacter Real Flame au 1-800-654-1704.

### Cause possible 5: Le fil est en court-circuit (formation d'étincelles) entre l'allumeur et l'électrode.

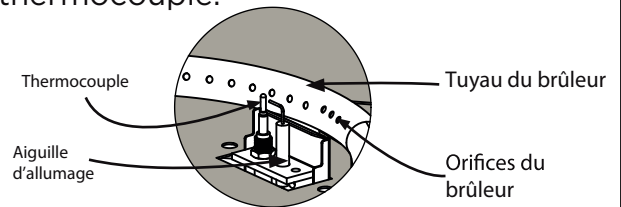
- Call Real Flame at 1-800-654-1704 for support.

### Cause possible 6: L'aiguille de l'allumeur n'est pas pointée vers le thermocouple.

- Voir page 16, tourner l'électrode afin qu'il pointe vers le thermocouple.

### Cause possible 7: Allumeur défectueux.

- Contacter Real Flame au 1 800-654-1704 pour du soutien technique.



## Problème: Le brûleur ne s'allume pas avec une allumette

### Cause possible 1: Le gaz ne circule pas.

- Vérifier si l'alimentation en gaz est fermée. S'il n'est pas fermé, vous reporter au « Problème : Baisse soudaine de la circulation du gaz » à la page suivante.

### Cause possible 2: Le connecteur rapide n'est pas entièrement inséré.

- Débrancher le connecteur rapide de l'alimentation en gaz et rebrancher pour vous assurer d'avoir un bon branchement. Ne pas utiliser d'outil, serrer à la main seulement

### Cause possible 3: Il y a obstruction de la circulation du gaz.

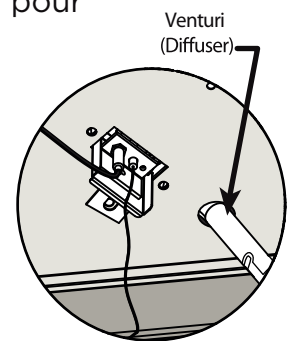
- Vérifier que le tuyau n'est pas plié ou tordu.

### Cause possible 4: Des toiles d'araignée ou des nids d'insecte dans le tube de venturi (diffuseur).

- Nettoyer le tube de venturi (diffuseur).

### Cause possible 5: Les orifices du brûleur sont obstrués ou bouchés.

- Vous reporter à « Problème : Forme de flamme irrégulière » à la page suivante. Nettoyer les orifices du brûleur comme il y est mentionné.



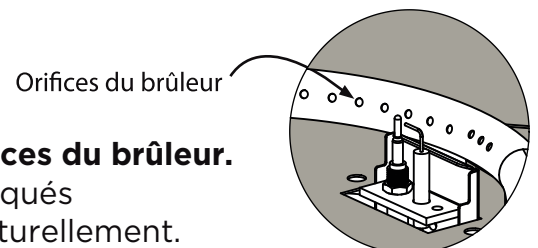
## Problème: La table-foyer émet beaucoup de fumée noire lors de son utilisation

### Cause possible 1: Le tuyau du foyer au gaz est pincé.

- Vous assurer que le tuyau n'est pas pincé entre la table-foyer et la source du gaz.

### Cause possible 2: Il y a obstruction de la flamme aux orifices du brûleur.

- Vous assurer que les orifices du brûleur ne sont pas bloqués par les pierres de lave et que la flamme peut bouger naturellement.



Pour le support technique S'il vous plaît nous contacter: 1-800-654-1704

# Dépannage

## Problème: Chute soudaine de la circulation du gaz ou diminution de la hauteur de la flamme

### Cause possible 1: Manque de gaz.

- Contacter votre fournisseur de gaz.

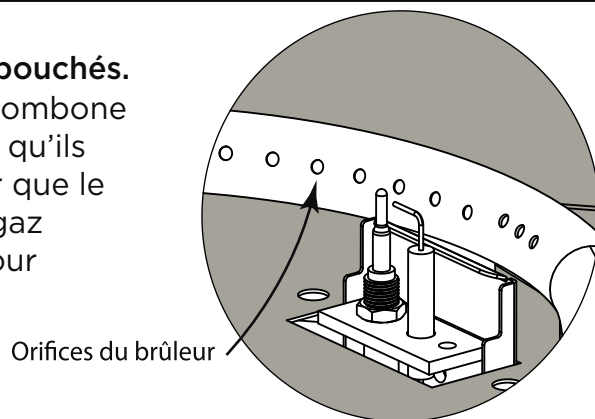
### Cause possible 2: Le dispositif d'écoulement sécuritaire maximal a été activé.

- Mettre le bouton de contrôle en position « OFF », attendre 30 secondes et allumer le foyer extérieur. Si les flammes sont toujours trop basses, réinitialiser le dispositif d'écoulement sécuritaire maximal en refermant le bouton de contrôle et la fourniture de gaz. Débrancher l'embout de débranchement rapide. Attendre 1 minute. Refermer le bouton de contrôle du brûleur. Rebrancher l'embout de débranchement rapide, mettre en fonction l'alimentation en gaz principale et faire un test d'étanchéité autour de la connexion de gaz naturel

## Problème : Forme de flamme irrégulière, la flamme ne court pas sur toute la longueur du brûleur

### Cause possible: les orifices du brûleur sont obstrués ou bouchés.

- Nettoyer les orifices du brûleur. Utiliser le bout d'un trombone dans chacun des orifices du brûleur pour vous assurer qu'ils ne sont pas obstrués. AVERTISSEMENT : Vous assurer que le brûleur n'est pas en fonction et que l'alimentation en gaz a été proprement débranchée. Attendre 15 minutes pour que l'appareil ait refroidi avant de le toucher.



## Problème: La flamme s'éteint

### Cause possible 1: Des vents forts ou des bourrasques de vent.

- Augmenter la flamme en position « HIGH ».

### Cause possible 2: Faible quantité de gaz naturel

- Contacter votre fournisseur de gaz.

### Cause possible 3: La soupape de l'écoulement maximale ne fonctionne pas.

- Vous reporter au « Problème : Chute soudaine de la circulation du gaz »

**Si ces suggestions de dépannage ne résolvent pas le problème, contacter Real Flame au 1 800-654-1704**