

RESTORATION HARDWARE

Thank you for purchasing Restoration Hardware Lighting. Our assortment is crafted with the highest quality details in mind and each collection is clad in one of our signature finish options. Each item's surface is sealed which eliminates the need for polishing and ensures the lasting brilliance of your piece for years to come.

PARTS ENCLOSED:

- (A) CROSS BAR
- (B) MOUNTING PLATE
- (C) ALLEN SCREW
- (D) SOCKET

IMPORTANT SAFETY INSTRUCTIONS :

- These instructions are provided for your safety. It is very important that they are properly read **completely** before beginning the installation of your fixture.

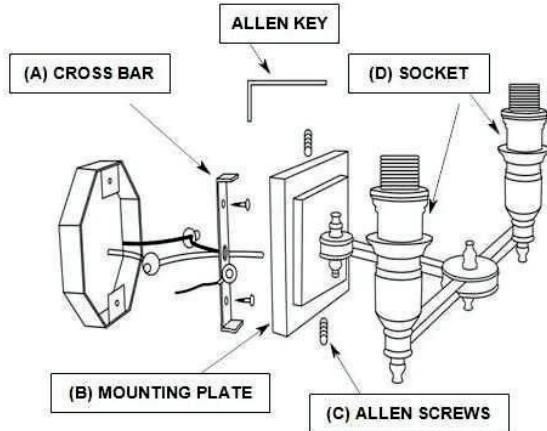
DIRECT WIRE FIXTURE.

WE STRONGLY RECOMMEND INSTALLATION BY A LICENSED ELECTRICIAN.

WARNINGS :

Turn off power before replacing the bulb, making sure, the bulb had sufficient time to cool down. **DO NOT** subject the lamp to any shock while lit as shattering of lamp may result.


CLARIDGE SCONCE DOUBLE



TO ASSEMBLE :

1. Shut off electrical supply at main fuse box / circuit breaker.
2. Remove all parts from carton. Do not throw away any parts.
3. Affix the **Cross Bar (A)** directly to the **Junction Box** using screws provided.
4. Assemble the wires at the back of the **Mounting Plate (B)**.
5. Connect the grounding wire (silver colored, un-laminated) to the grounding screw in the **Cross Bar (A)**.
6. Connect the wires from the sconce to the wires in the junction box, neutral to neutral, live wire to live wire, with plastic wire connectors (not provided) and wrap the wire connector with electrical insulation tape.
7. Fix the **Mounting Plate (B)** on the **Cross Bar (A)** by tightening the **Allen Screws (C)** after matching the holes of **Mounting Plate (B)** over the **Cross Bar (A)**.
8. Remove the Shade ring of **Socket (D)** by turning it anti clockwise direction. Install the shade and fix it with shade ring by turning the shade ring in clockwise direction.
9. Insert a 60-watt Type B bulb (not included) into the **Socket (D)**.
10. Installation is complete

SHADE INSTRUCTIONS :

1. To reduce the risk of fire, use maximum 60W Type B Bulb .
2. Use Open Top, Open Bottom type of shade and dimensions of the shade is as specified.
 - Top size – 12.5 X 12.5 cm
 - Bottom Size – 14.5 X 14.5 cm
 - Height – 14.00 cm
3. Do not use the shade in this position. 

Shade can be of Metal or Fiber..

CARE INSTRUCTIONS:

To clean, use a soft cloth only. Do not use any chemical or abrasive cleaners.