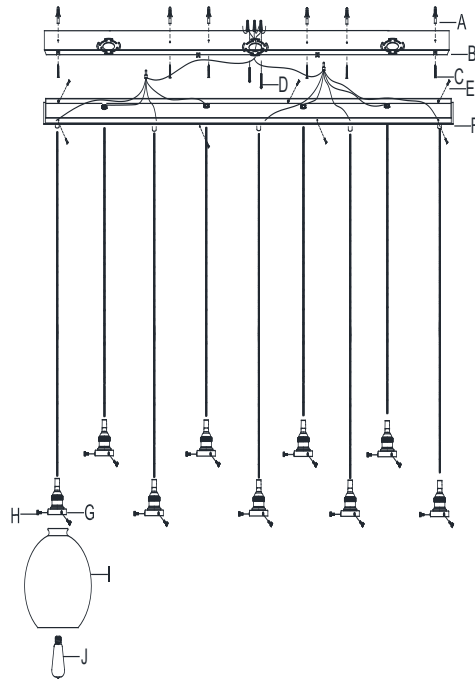


20TH C. FACTORY FILAMENT GLASS CAFÉ RECTANGULAR CHANDELIER (9-CORD)

PARTS ENCLOSED

- (A) Plastic Anchors (6)
- (B) Mounting Plate (1)
- (C) Screws (6)
- (D) Mounting Screws (2)
- (E) Base Screws (8)
- (F) Fixture Base (1)
- (G) Shade Holders (9)
- (H) Thumbscrews (27)
- (I) Shades (9)
- (J) Bulbs (9)



20TH C. FACTORY FILAMENT GLASS CAFÉ RECTANGULAR CHANDELIER (9-CORD)

IMPORTANT SAFETY INSTRUCTIONS

INSTALLATION BY A LICENSED ELECTRICIAN IS STRONGLY RECOMMENDED.

This fixture has been rated for nine (9) 40-Watt max Type A lightbulbs (included) or nine (9) 9-Watt compact fluorescent lightbulbs (not included). To avoid the risk of fire, do not exceed the recommended wattage.

WARNINGS

All wires are connected. When unpacking, be careful not to pull wires, as a bad connection may result. Do not connect electricity until your fixture is fully assembled. To reduce the risk of fire, electrical shock, or personal injury, always turn off fixture and allow it to cool prior to replacing the lightbulb. Do not touch or look directly at the bulb when fixture is illuminated. Keep flammable materials away from lit bulb.



WARNING: This product can expose you to lead, which is known to the State of California to cause cancer and birth defects or other reproductive harm. For more information, go to www.P65Warnings.ca.gov.

THIS PRODUCT IS NOT A TOY AND HAS NO PLAY VALUE.



WARNING: STRANGULATION HAZARD

Keep cord at least 3 feet away from cribs, bassinets, and toddler beds. Keep out of reach of children under 3 years of age.

ASSEMBLY & INSTALLATION

SHUT OFF THE MAIN ELECTRICAL SUPPLY FROM THE FUSE BOX OR CIRCUIT BREAKER PANEL.

1. Carefully remove all parts from the box and remove all plastic coverings.
2. Remove Mounting Plate (B) from Fixture Base (F) by unscrewing Base Screws (E).
3. Affix Mounting Plate (B) to the ceiling outlet box; use it as a template. Using a pencil, mark points for four mounting holes of Mounting Plate (B) on the ceiling. Remove Mounting Plate (B).

ASSEMBLY & INSTALLATION CONT.

4. Drill small holes through the marked points; the holes should be big enough to accommodate Plastic Anchors (A). Push Plastic Anchors (A) into the holes.
5. Place Mounting Plate (B) to ceiling outlet box by aligning the holes. Insert Mounting Screws (D) to the ceiling outlet box and Screws (C) to Plastic Anchors (A) to secure Mounting Plate (B) to the ceiling.
6. Connect the fixture ground wire (green) to the ground wire (usually bare copper) from the ceiling outlet box. Fasten together with a plastic wire connector provided and tightly wrap the wire connector with electrical tape so the end of the connector is sealed. **IT IS IMPERATIVE THAT THE OUTLET BOX IN YOUR HOME BE PROPERLY GROUNDED.**
7. Connect the neutral wire (white) to the neutral outlet wire (usually white) with a plastic wire connector and wrap the connection with electrical tape.
8. Repeat the procedure with the hot wire (black) to hot outlet wire (usually black). Always make sure that no wire strands are left outside of the connections. **DO NOT REVERSE THE HOT AND NEUTRAL CONNECTIONS OR SAFETY WILL BE COMPROMISED.**
9. Affix Fixture Base (F) to Mounting Plate (B). Secure with Base Screws (E).
10. Loosen Thumbscrews (H). Attach Shades (I) to Shade Holders (G), then secure by tightening Thumbscrews (H).
11. Insert Bulbs (J) into the sockets.
12. Restore power to outlet box and check operation of fixture.
13. Assembly is complete.

CARE INSTRUCTIONS

Do not use polishes or cleaners on the fixture. Wipe clean with a soft, dry cloth.