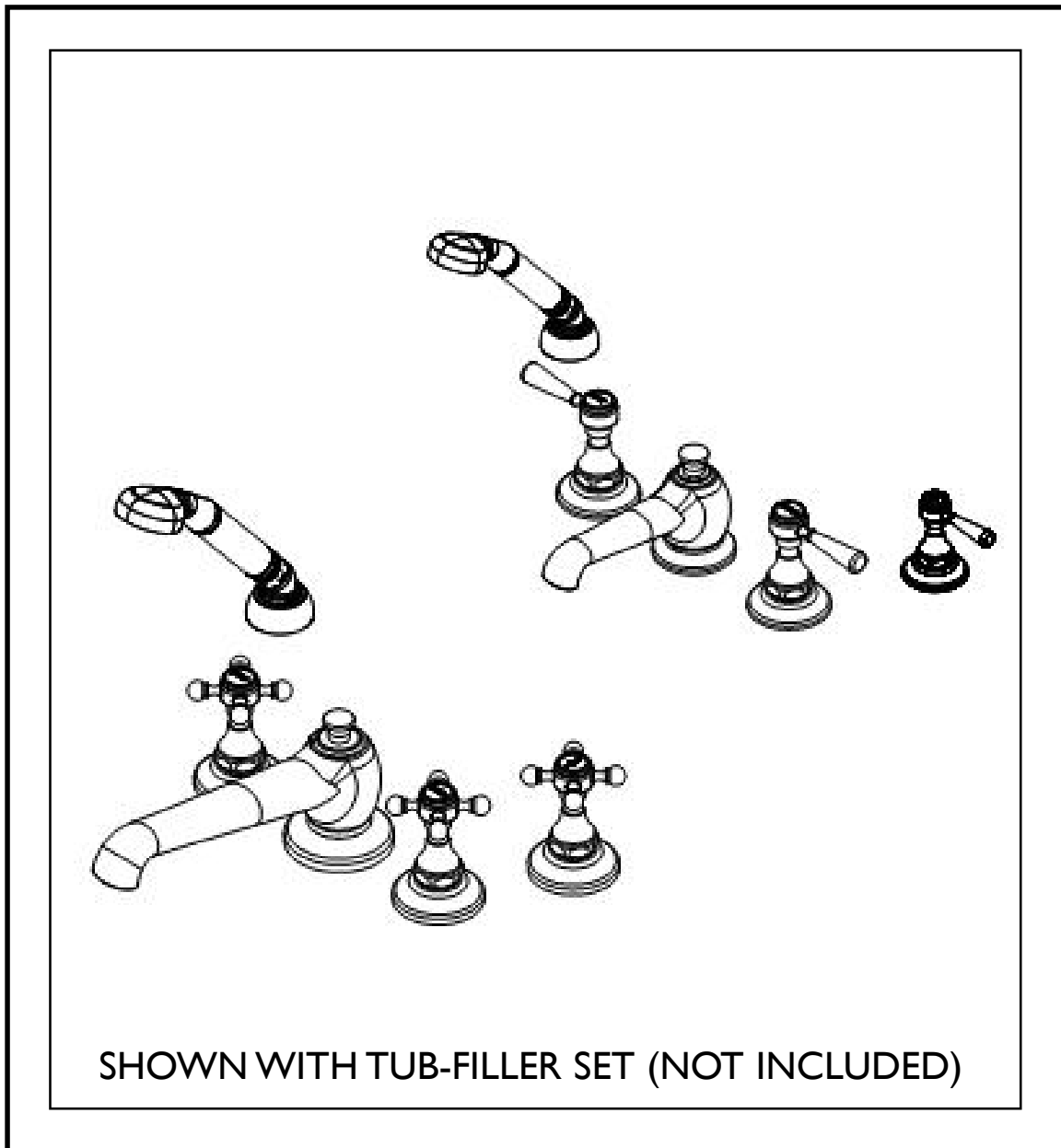


# RESTORATION HARDWARE

## INSTALLATION INSTRUCTIONS

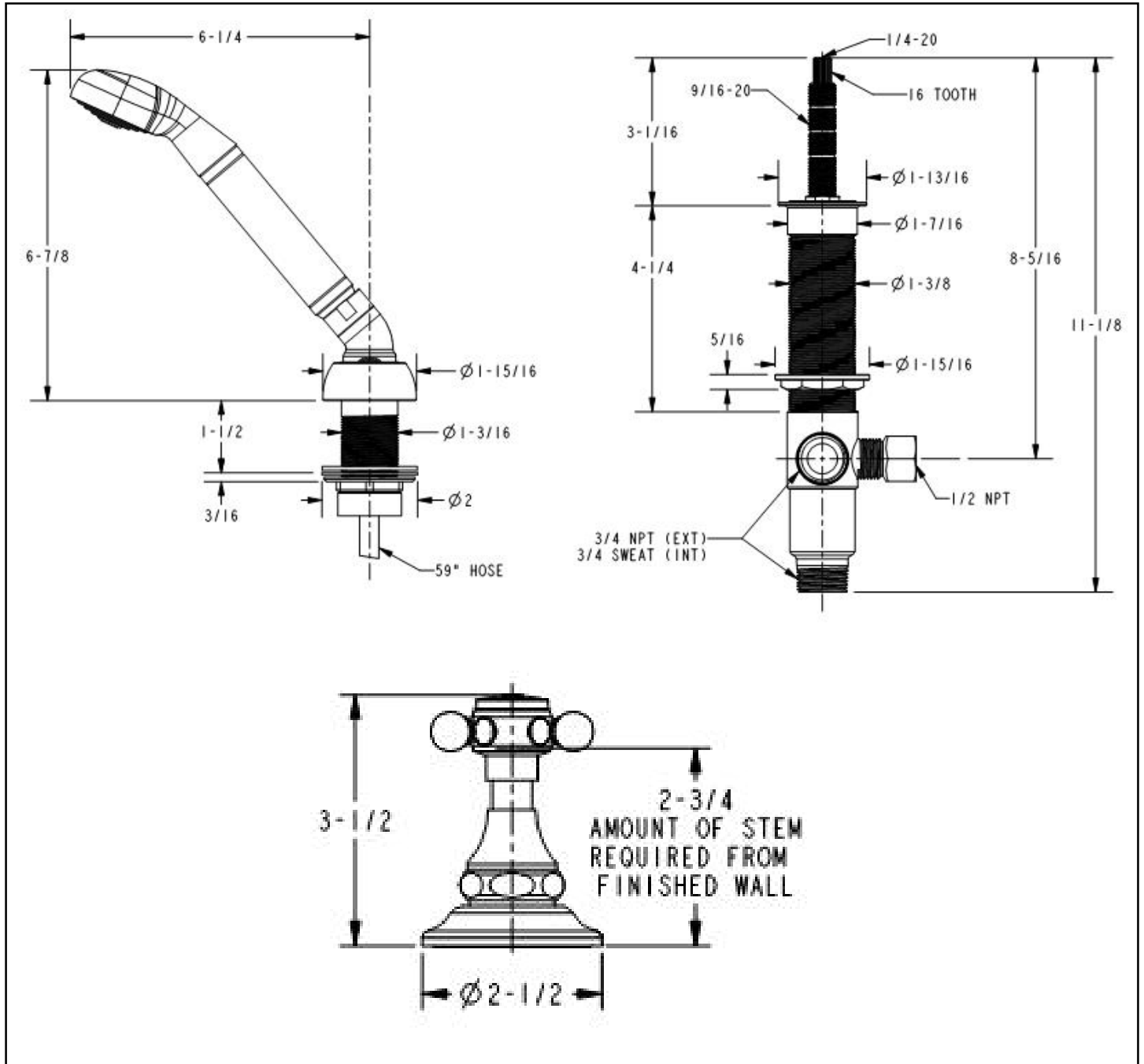


**MODEL: EATON**

23620071 (RH-5461L)

23620038 (RH-5461)

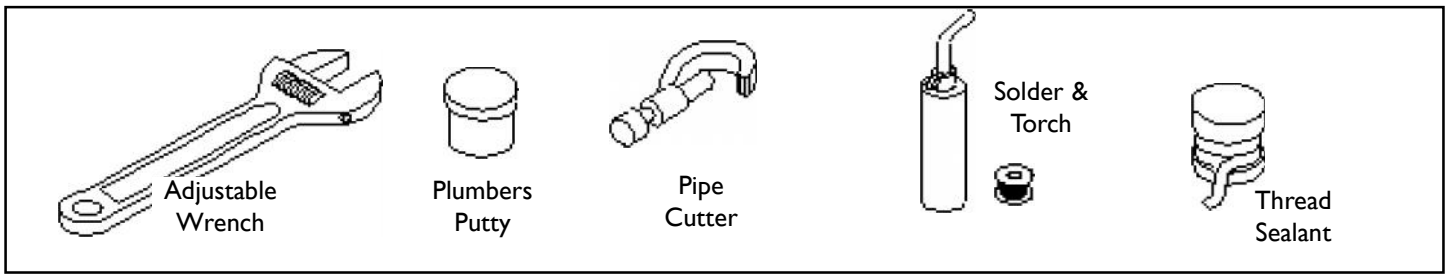
# Restoration Hardware Diverter Trim Kit Product Size Specification Diagram



Dimensions are in inches and Approximation of a Typical Installation

Recommended Deck Hole Sizes:  $1\frac{1}{4}$ " Diameter for Hand-Held Flange Assy and  
 $1\frac{1}{2}$ " Diameter for Diverter Flange Assy

## Common tools needed:

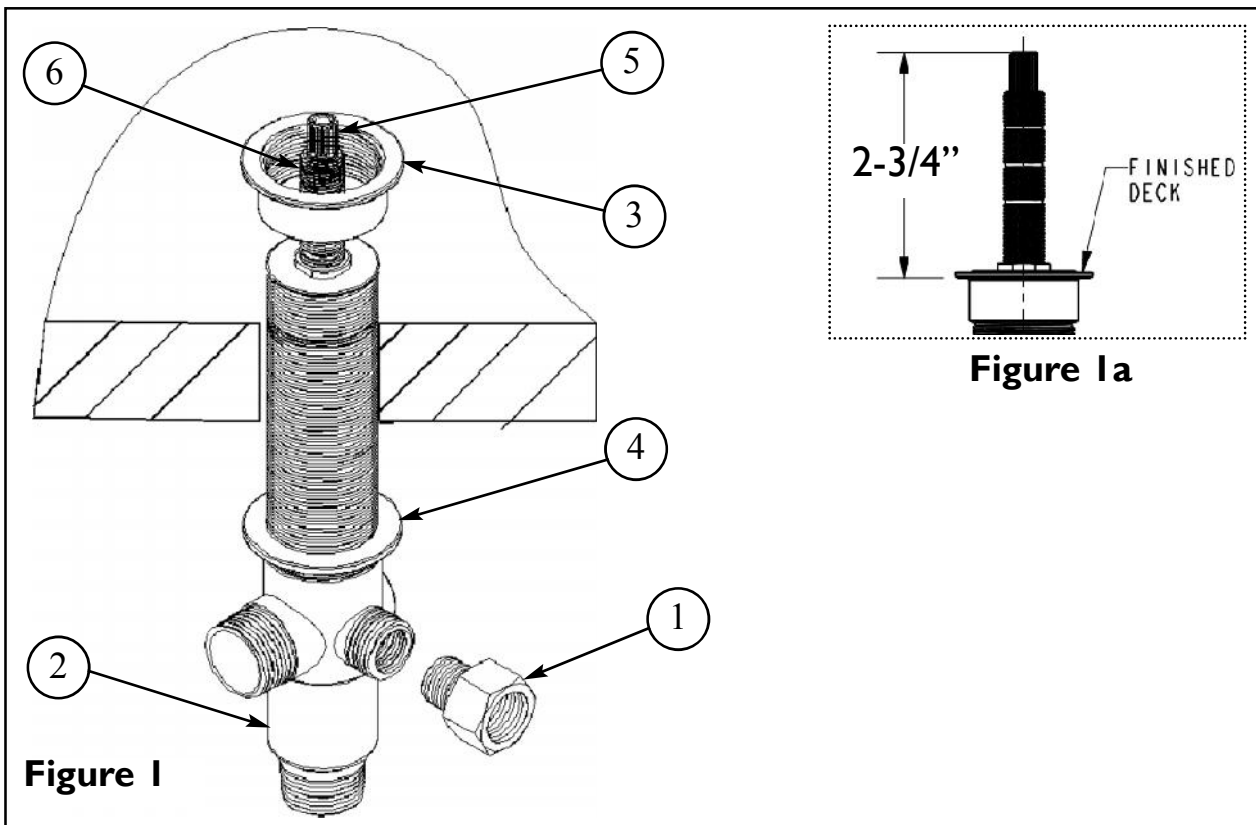


## Installation Instructions

We Recommend Installation by a Licensed Plumbing Professional

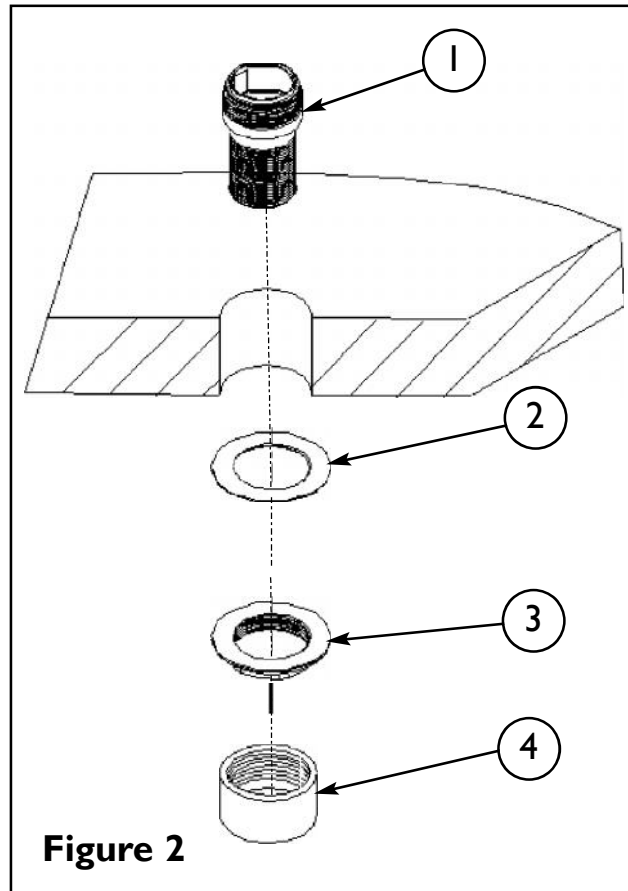
### I. Diverter Assembly

- Apply thread sealant (e.g. Plumber's tape) to hand shower ADAPTER (1) male threads and tighten onto diverter VALVE BODY (2).
- Remove upper FLANGE NUT (3) and install diverter BODY (2) from underside of deck. Reattach upper FLANGE NUT (3) onto diverter valve. **Note:** place FLANGE NUT (3) on finished deck surface. See Figure 1a.
- Secure diverter valve BODY (2) to deck by tightening lower FLANGE NUT (4).
- Cut diverter STEM (5) to 2-3/4" from finished deck. Cut ALL THREAD (6) 1-5/8" shorter than STEM (5).



## 2. Deck Flange Assembly

- Install hand shower NIPPLE (1) through hole on finished deck surface, install WASHER(2) and secure with MOUNTING NUT (3).
- Place plastic SLEEVE (4) onto lower portion of housing threads.



# 3. Water Supply Connections

**Note:** Piping and plumbing fittings are not supplied. It is recommended that all solder operations be performed prior to attaching fittings to valves. Usage of access panel(s) is highly recommended.

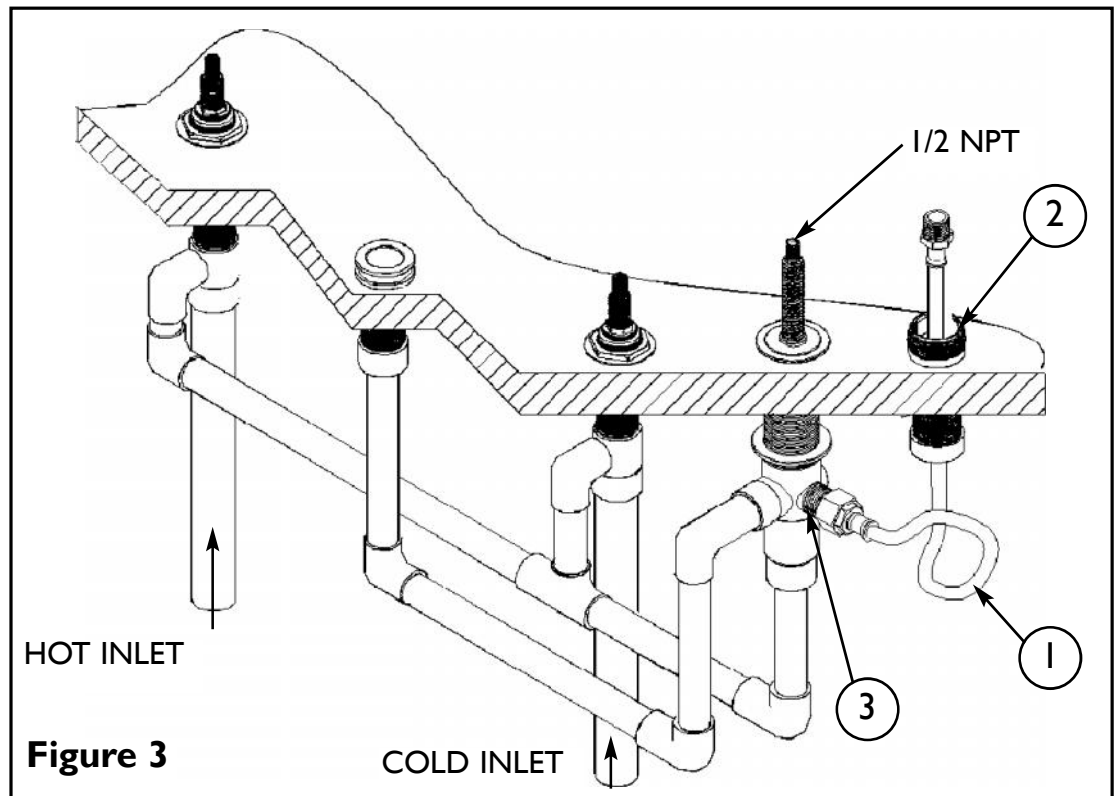
The most common methods of water connections are one of the following:

- a. Flexible Stainless Steel braided hoses
  - i. Access panel(s) are required by plumbing code (UPC).
  - ii. No soldering or brazing is required.
  
- b. Rigid Copper tubing / piping
  - i. Requires soldering or brazing.
  - ii. All soldering must be performed a minimum of 4" from valve ports.
  - iii. Brazing must be performed before attaching to valves.

- Make all necessary connections as shown in Figure 3.
- Feed braided hand shower HOSE (1) through DECK FLANGE (2) and attach one end of hose into the hand shower OUTLET (3) of diverter valve.
- Attach hot/cold supply lines to appropriate valve body.
- The outlet from each valve body must be joined (ie. mixed) then attached to inlet at bottom of diverter valve.
- Connect 3/4" side outlet of diverter valve to tub spout fitting as shown.



**Note:** Some states require a ASSE 1016 approved Tempering Valve installation with this product. See disclaimer following for proper installation.



**Figure 3**

# Disclaimer Regarding Roman Tub with Hand Spray

To conform to local codes and ordinances, all Roman tub with hand spray products should be used in concert with an ASSE 1016 approved tempering valve to reduce the hot water supply to a safe temperature not exceeding 110°F (43°C).

**Important:** Water temperatures in excess 110°F (43°C) are dangerous and may cause scalding, severe injury or death!

Tempering valve should be installed and adjusted by a licensed contractor per the valve manufacturer installation instruction, and in accordance with local codes and ordinances. In general, key characteristics to ensure a tempering valve to work best with Roman tub with hand spray products shall be as follows:

- Tempering valve should be used prior to the Roman tub product to reduce the hot water supply to a safe temperature.
- To ensure sufficient water flow through the tub spout, tempering valve should be capable to handle a flow rate of 10 gpm or more.
- Tempering valve should include inlet filter washer and check valves in both the hot and cold water inlets to protect against cross flow.

## Pressure - Temperature - Flow Rate

Minimum supply pressure static: 30psi (207 kPa)

Inlet temperature: hot inlet, 120°F – 180°F (49°C – 82°C)

cold inlet, 39°F – 85°F (4°C – 29°C)

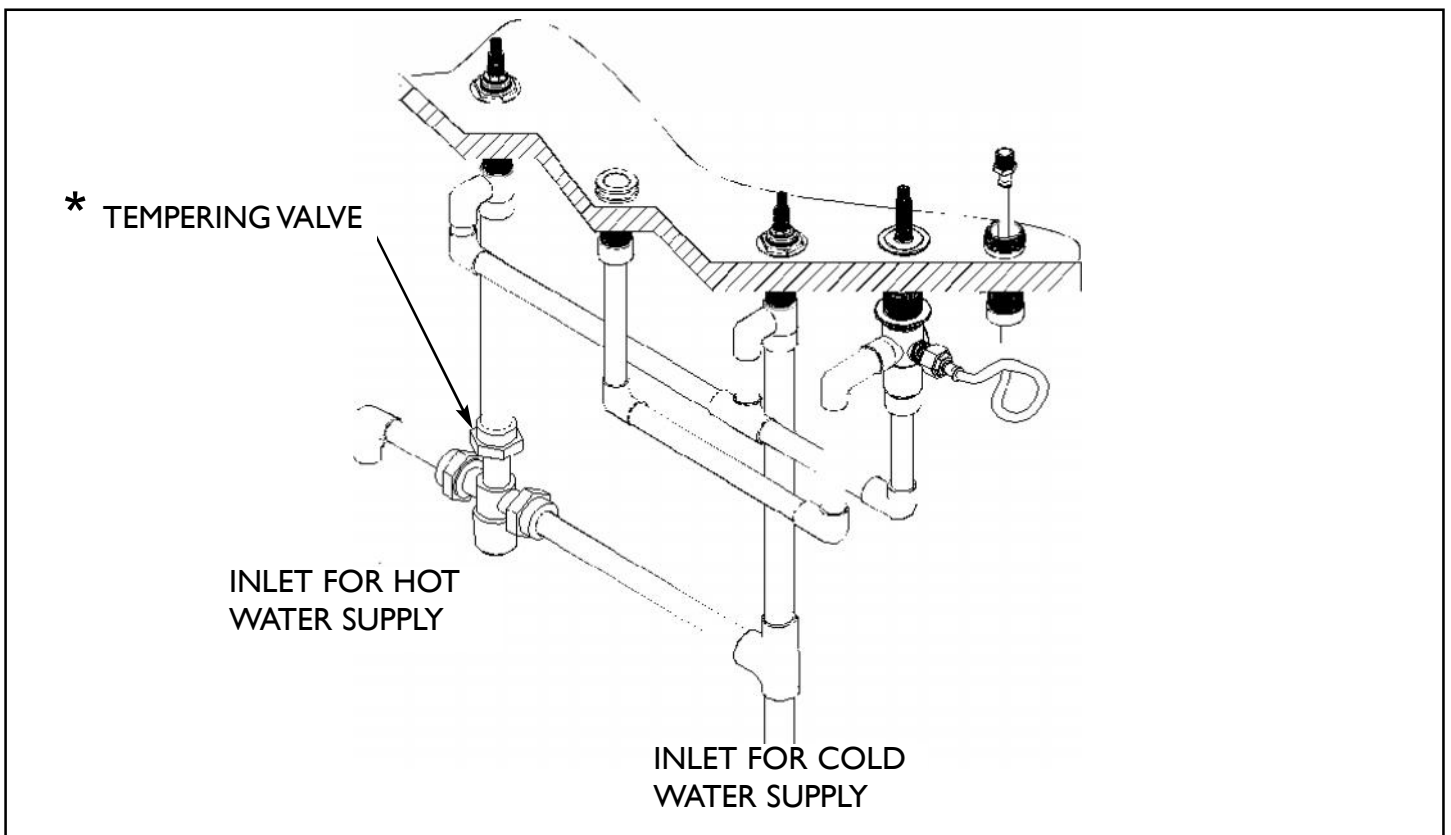
Temperature out: Field range: 80°F -120°F (27°C – 49°C), adjustable. Accurate within +/-3°F (1.7°C)

Maximum temperature: 200°F (93°C)

Maximum pressure: 150psi (10.3 bar)

Minimum flow: 0.5 gpm (1.9 lpm) @ 0.8psi (0.55 kPa)

Maximum flow: 20 gpm (76 lpm) @ 125psi (862 kPa)



**\*Note:** Valve should be installed in a location where it is accessible for cleaning or service. Due to the effects of various water conditions, periodic verification of outlet water temperature is required.

## 4. Handle Shower Assembly

- Install DECORATIVE RING (1) to threaded DECK FLANGE (2). Attach braided hose, from diverter, to hand shower DECORATIVE HOSE (3) and assembly.
- Turn on water supply, check for leaks and make any final adjustments required.

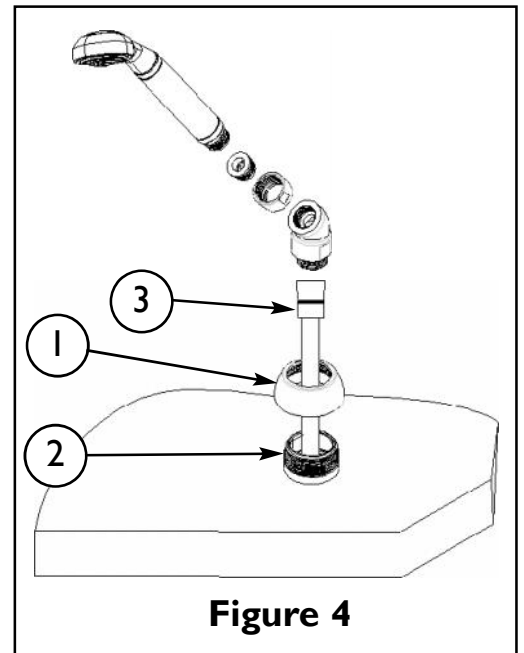


Figure 4

## 5. Handle Assembly

- Turn VALVE STEM (5) to OFF position.
- Place HANDLE BASE RING (4) onto VALVE STEM (5) and thread BONNET (3) until snug against HANDLE BASE RING (4).
- Place HANDLE (2) onto VALVE STEM (5). Check alignment, if necessary reposition handle on stem or rotate body for proper alignment. **DO NOT** loosen cartridge stem.
- Secure HANDLE (2) into place by tightening SCREW (6) with WRENCH (1).

**Note:** Allow minimal space between HANDLE (2) and BONNET (3).

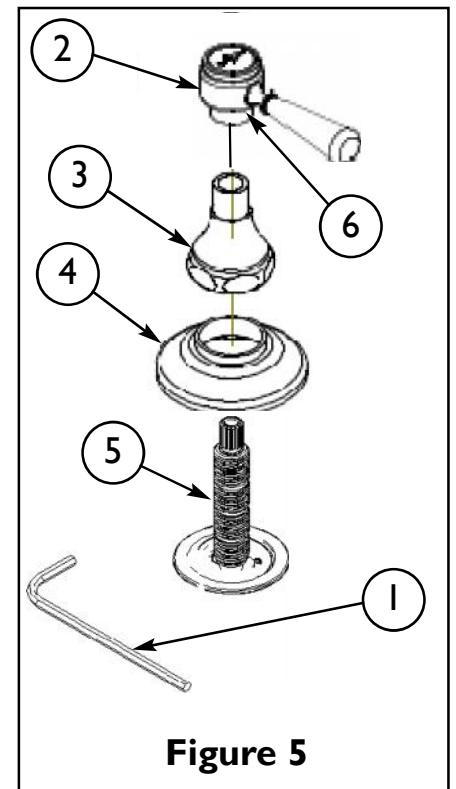


Figure 5

## 6. Test Installed Faucet

- With handles in the OFF position, turn on water supplies and check all connections for leaks.
- Open both hot and cold valves and allow water to run for several minutes to flush debris from installation.

## Care and Cleaning

The lustrous finish on your Restoration Hardware Bathware fixture should be treated with care. Improper handling or cleaning can damage the surface of any metal finish. Use a soft cloth to wipe clean. Avoid harsh abrasive cleaner. Water contains lime and other mineral deposits that will be left on the surface after the water has evaporated. You can prevent these deposits from forming by always wiping the fixture dry immediately after use.

## Technical Support and Customer Service

For technical support in the installation of your Restoration Hardware Bathware fixture, please call 1-866-417-5207 weekdays between the hours of 7:00am and 4:00pm PST.

For other questions regarding your order, to order additional components of the Restoration Hardware Bathware Collection, to order replacement parts, or to address warranty issues, please contact Restoration Hardware Customer Service at 1-877-747-4671.