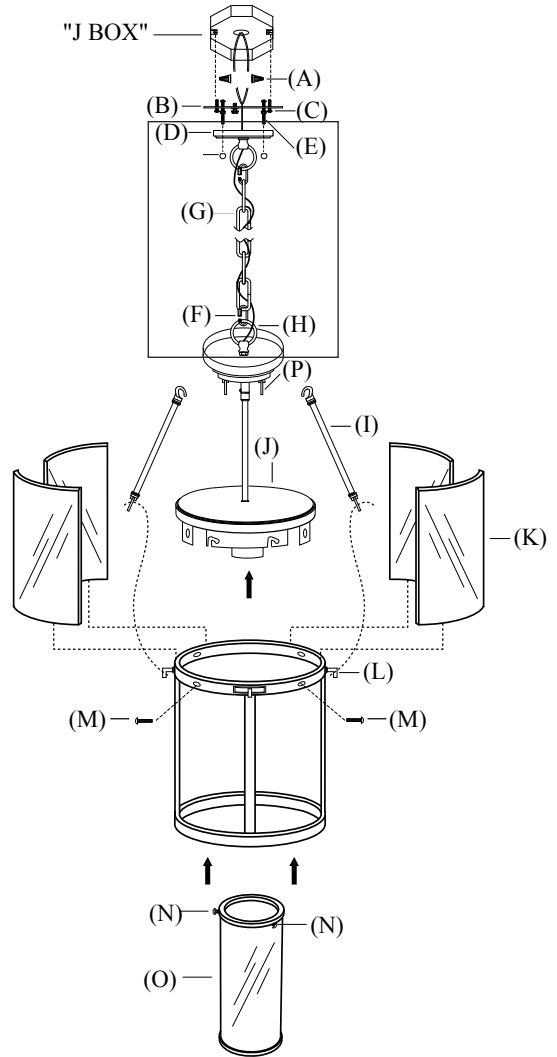


QUENTIN SMALL OUTDOOR PENDANT OR FLUSHMOUNT

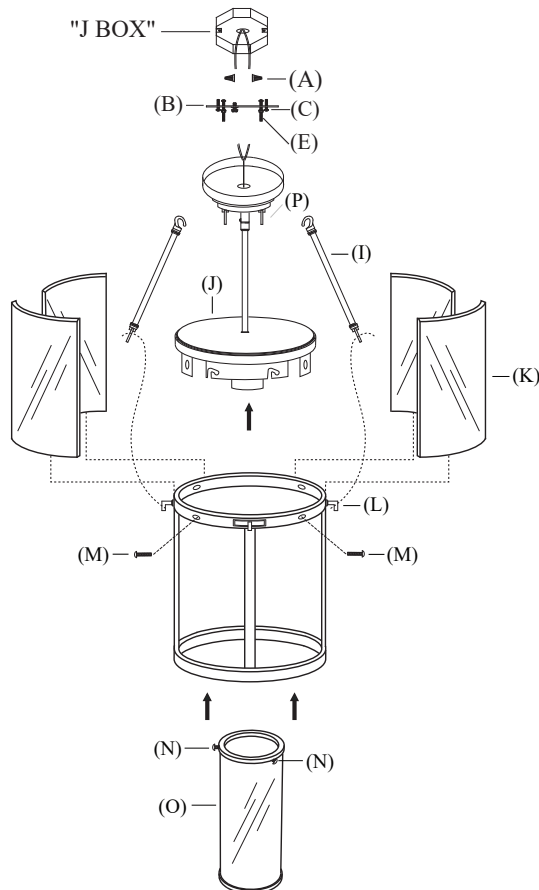
PARTS ENCLOSED:

- (A) Wire Nuts (2)
- (B) Mounting Plate (1)
- (C) Mounting Plate Screws (2)
- (D) Canopy (1)
- (E) Canopy Screws (2)
- (F) Quick Link (1)
- (G) Chain (1)
- (H) Lantern Loop (1)
- (I) Extension Arms (4)
- (J) Lantern Canopy (1)
- (K) Shade Glass (4)
- (L) Exterior Shade Hooks (4)
- (M) Exterior Shade Screws (4)
- (N) Interior Shade Screws (3)
- (O) Interior Shade (1)
- (P) Square Loop (4)

PENDANT ASSEMBLY



FLUSHMOUNT ASSEMBLY



IMPORTANT PLEASE READ**WE RECOMMEND INSTALLATION BY A LICENSED ELECTRICIAN.****SAFETY INSTRUCTIONS:**

These instructions are provided for your safety. It is very important that they are read completely before beginning the installation of your fixture.


This fixture has been rated for up to one (1) 60-watt maximum Type A medium base bulb or one (1) 7.5-watt LED medium base bulb. To avoid risk of fire, do not exceed the recommended wattage.

If any special control devices are used with this fixture, follow the instructions carefully to assure full compliance with N.E.C. requirements. If there are any questions, contact a qualified electrical contractor.


WARNINGS:

All wires are connected. When unpacking, be careful not to pull wires as a bad connection may result. Do not connect electricity until your fixture is fully assembled. To reduce the risk of fire, electrical shock or personal injury, always turn off fixture and allow it to cool prior to replacing the lightbulb. Do not touch bulb when fixture is turned on or look directly at lit bulb. Keep flammable materials away from the lit bulb.

This lighting fixture contains lead, a chemical known to the State of California to cause cancer, birth defects and other reproductive harm. Wash hands after installing, handling, cleaning, or otherwise touching this light fixture.

 **WARNING:** This product can expose you to lead, which is known to the State of California to cause cancer and birth defects or other reproductive harm. For more information, go to www.P65Warnings.ca.gov.

THIS IS NOT A TOY AND THE PRODUCT HAS NO PLAY VALUE.

 **WARNING: STRANGULATION HAZARD**
Keep cord at least 3 ft away from cribs, bassinets, and toddler beds. Keep out of reach of children under 3.

ASSEMBLY & INSTALLATION:

TOOLS REQUIRED: CHAIN BREAK

PENDANT ASSEMBLY:

1. SHUT OFF ELECTRICAL SUPPLY FROM THE MAIN FUSE BOX/ CIRCUIT BREAKER.
2. Remove all parts from carton. Do not throw away any parts.
3. Remove canopy screws (E) from canopy (D). Remove mounting plate (B) from canopy (D).
4. Guide wires from "J BOX" through center hole in mounting plate (B). Affix mounting plate (B) to "J BOX" using mounting screws (C) provided.

5. Measure desired drop for fixture to hang and add/remove chain links (G) accordingly. Chain break tool required (not included).
6. Attach quick link (F) to bottom link of chain (G). Lift fixture and attach loop (H) to quick link (F). Close opening in quick link (F) to secure fixture. Guide wiring through chain links (G) and center hole in canopy (D).
7. Make proper electrical connection. Attach ground fixture wire (GREEN) to either the ground screw on mounting plate (B) or to the ground wire in the wall outlet box (usually GREEN or COPPER in color). If attaching to ground wire in outlet box, fasten together with a plastic wire nut (A) and tightly wrap with electrical tape. IT IS IMPERATIVE THAT THE OUTLET BOX IN YOUR HOME BE PROPERLY GROUNDED.
8. Connect the neutral (WHITE or RIBBED BLACK) fixture wire to the neutral (usually WHITE) wire from the outlet box. Fasten wires together with a plastic wire nut (A) and tightly wrap connector with electrical tape.
9. Connect the hot (BLACK or SMOOTH BLACK) fixture wire to the hot (BLACK) wire from the outlet box. Fasten wires together with a plastic wire nut (A) and tightly wrap connector with electrical tape.
10. Align screw holes in canopy (D) with holes in mounting plate (B). Holding canopy over mounting plate (B), thread canopy screw (E) into canopy (D) and mounting plate (B) to secure fixture to "J BOX."
11. Hook extension arm (I) onto exterior shade hook (L). Guide hook end of extension arm (I) into square loop (P). Repeat step for each extension arm (I).
12. Install one (1) 60-watt maximum Type A medium base bulb or one (1) 7.5-watt LED medium base bulb into socket.
13. Carefully slide shade glass (K) down into slots in exterior shade frame.
14. Align holes in exterior shade frame with holes in tabs on lantern canopy (J) and insert exterior shade frame screws (M) to secure shade to fixture.
15. Insert interior shade (O) into exterior shade. Align interior shade screws (N) with channels in lantern canopy (J). Turn until interior shade screws are resting securely in channels of lantern canopy (J).

FLUSHMOUNT ASSEMBLY:

1. Remove parts shown in box of Pendant Assembly illustration.
2. Follow steps 7 through 13 above for flushmount assembly.

CARE INSTRUCTIONS:

Wipe clean with a soft, dry cloth or static duster. Always avoid the use of harsh chemicals or abrasive cleaners as they may cause damage to the fixture's finish.