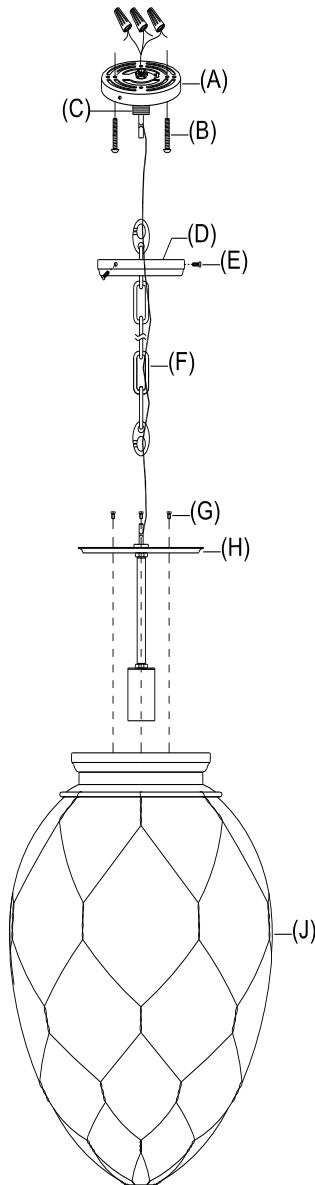


# RESTORATION HARDWARE

## PARISIAN BANQUE PENDANT 15IN

### PARTS ENCLOSED

- (A) Mounting plate (1)
- (B) Mounting screws (2)
- (C) Mounting loop (1)
- (D) Canopy (1)
- (E) Canopy screw (3)
- (F) Chain (1)
- (G) Screw (4)
- (H) Socket assembly (1)
- (J) Glass shade (1)



### IMPORTANT SAFETY INSTRUCTIONS:

WE RECOMMEND INSTALLATION BY A LICENSED ELECTRICIAN.

This fixture has been rated for up to one (1) 75-Watt maximum Type A standard bulb (not included) or one (1) 18-Watt Compact Fluorescent light bulb (not included). To avoid the risk of fire, do not exceed the recommended wattage.

### WARNINGS:

1. All wires are connected.
2. Do not remove the lamp from its packaging by pulling on the power cord, as a bad connection may result.
3. Do not connect electricity until your lamp is fully assembled.
4. To reduce the risk of fire, electrical shock, or personal injury, always turn off and unplug lamp and allow it to cool prior to replacing light bulb.
5. Do not touch bulb when fixture is turned on or look directly at lit bulb.
6. Keep flammable materials away from lit bulb.
7. This lighting fixture contains lead, a chemical known to the State of California to cause cancer, birth defects and other reproductive harm. Wash hands after installing, handling, cleaning or otherwise touching this light fixture.

### TO ASSEMBLE:

1. SHUT OFF THE MAIN ELECTRICAL SUPPLY FROM THE MAIN FUSE BOX/CIRCUIT BREAKER.
2. Carefully remove all parts from the box and remove all plastic covering.
3. Remove socket assembly (H) from glass shade (J) by unscrewing screws (G).
4. Insert the recommended bulb (not included) into socket.
5. Insert socket assembly (H) into glass shade (J), and secure with screws (G).
6. Hook the chain (F) to top loop on socket assembly (H).
7. Feed the wire through the chain (F) and mounting loop (C).
8. Attach chain (F) with fixture to mounting loop (C) at desired height.
9. Attach the fixture ground wire (green) to the ground wire from the outlet box (usually green or bare wire) with a plastic wire connector and wrap the connection with electrical tape.
10. Connect the neutral wire (white) to the neutral outlet wire (usually white) with a plastic wire connector and wrap the connection with electrical tape.
11. Connect the hot wire (black) to the hot outlet box wire (usually black) with a plastic wire connector and wrap the connection with electrical tape.
12. DO NOT REVERSE HOT AND NEUTRAL CONNECTIONS, OR SAFETY WILL BE COMPROMISED!
13. Tuck the wire connection neatly into the ceiling outlet box.
14. Remove canopy (D) from mounting plate (A) by unscrewing canopy screws (E).
15. Attach mounting plate (A) to ceiling outlet box and secure with mounting screws (B).
16. Slip canopy (D) to the affixed mounting plate (A) and secure with canopy screws (E).
17. Assembly is complete.

### CARE INSTRUCTIONS:

Wipe all surfaces with a soft dry cloth. Clean glass with a mild soap and water mixture. Do not use any harsh cleaners (including ammonia-based products) or abrasives, as they will damage the finish.