

RESTORATION HARDWARE

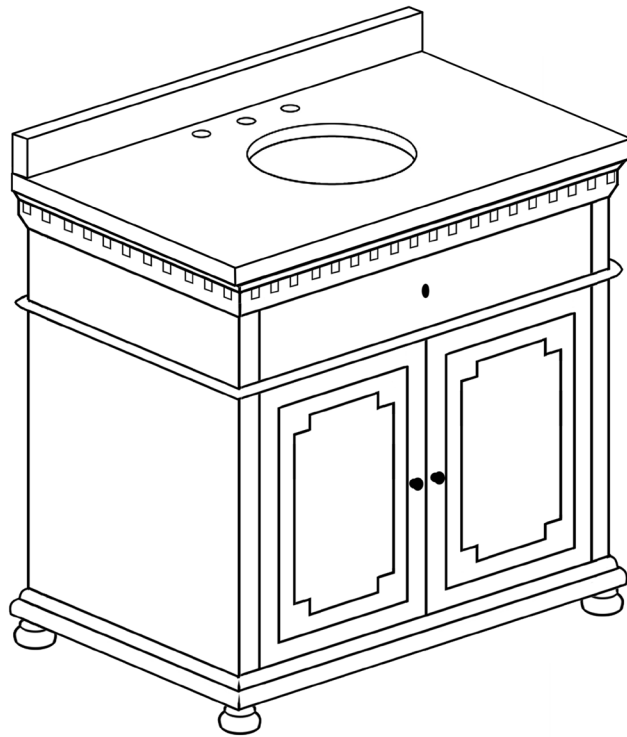
SAINT JAMES SINGLE VANITY SINK ASSEMBLY INSTRUCTIONS

Before You Begin:

Professional installation by two-person crew is required for this fixture. Install water supply and drain piping according to local plumbing and building codes. Insure that wall and floor are square and plumb at site of installation.

Tools and Materials Required:

1. Flat, nonabrasive work surface such as a blanket or smooth cardboard
2. Sealant
3. Phillips head screwdriver



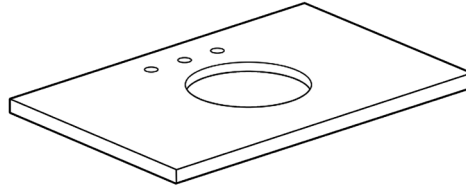
ASSEMBLED SINK

RESTORATION HARDWARE

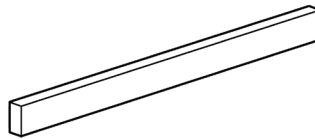
SAINT JAMES SINGLE VANITY SINK ASSEMBLY INSTRUCTIONS

Parts List

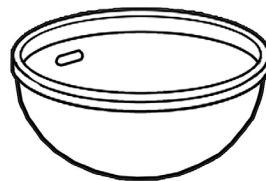
- A. Stone top (sold separately)



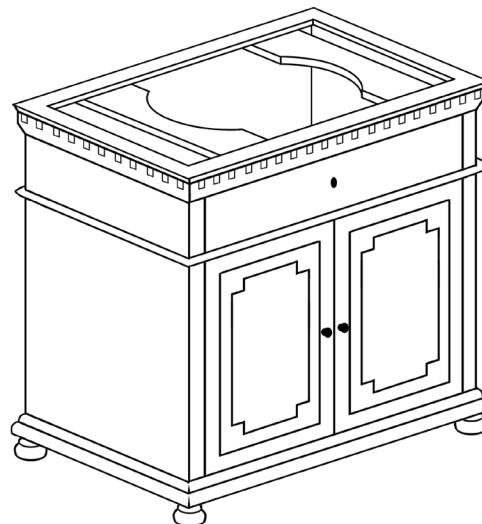
- B. Backsplash (sold separately)



- C. Lavatory basin



- D. Vanity base

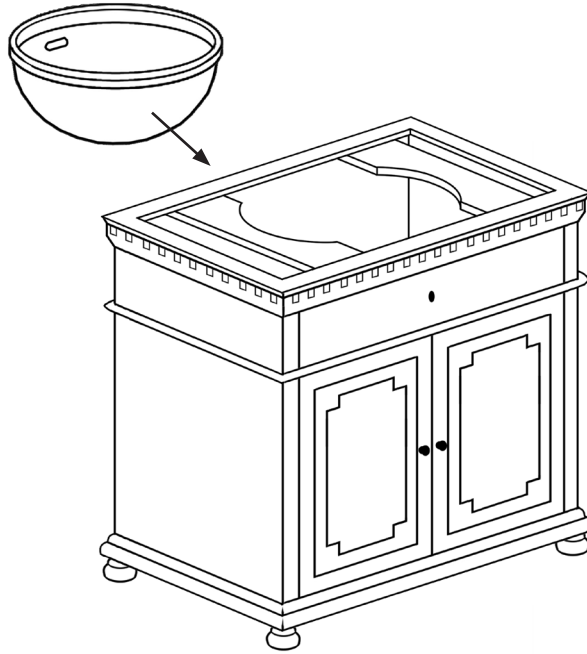


RESTORATION HARDWARE

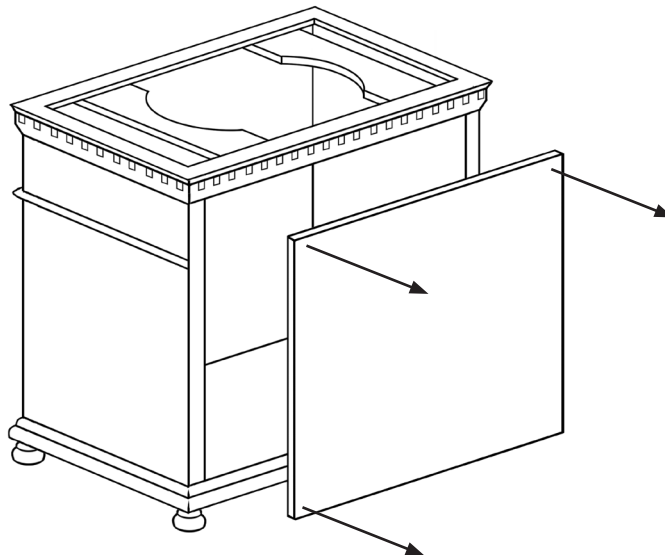
SAINT JAMES SINGLE VANITY SINK ASSEMBLY INSTRUCTIONS

Assembly Instructions:

1. Place the basin (C) on the support bars of vanity (D). (See Illustration) Overflow of Lavatory basin should be on the same side as pre-drilled faucet holes on the stone top.



2. Remove screws and back panel when installing faucet to sink. (See Illustration). Back panel can be discarded or reattached with cutouts to accommodate plumbing.



RESTORATION HARDWARE

SAINT JAMES SINGLE VANITY SINK ASSEMBLY INSTRUCTIONS

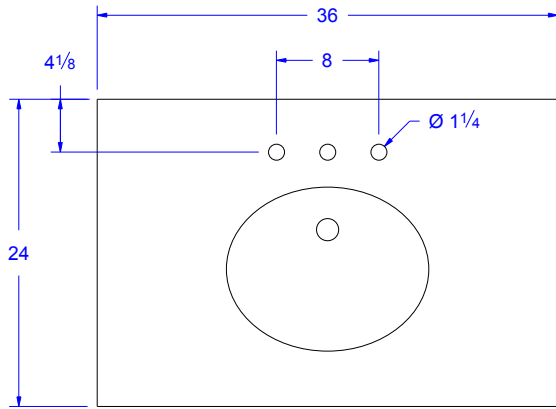
3. Apply a continuous bead of sealant to the top surface of rim of lavatory basin where it will contact underside of stone top.
4. Using two people, lift stone top (A), carefully place it in position on top of vanity base.
5. Apply silicone sealant to bottom and back of backsplash (B) and attach to wall and marble top.

Cleaning and Maintenance Instructions:

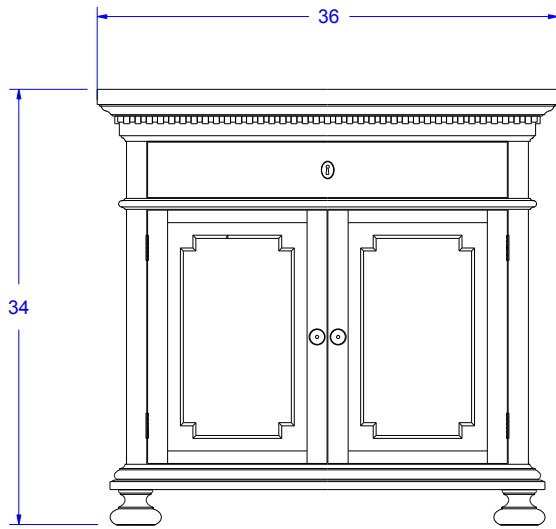
Avoid abrasive and harsh chemical cleaners.

To maintain and protect luster of vanity sink components, Restoration Hardware Bathroom Cleaning Products are recommended.

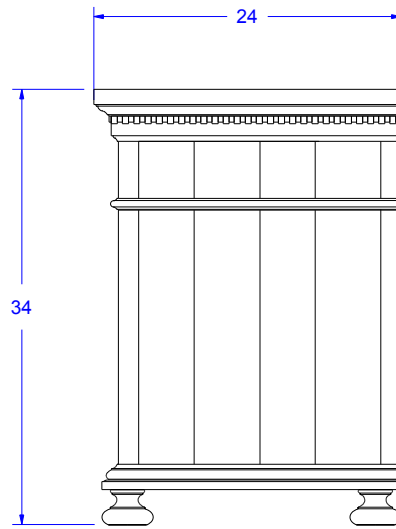
Restoration Hardware natural stone tops have a honed finish and hand-polished edges. They are sealed twice before shipment with inert silicone sealant. For cleaning and maintenance, Restoration Hardware Stone Care Products are recommended. To maintain your natural stone top, reseal it once a year.



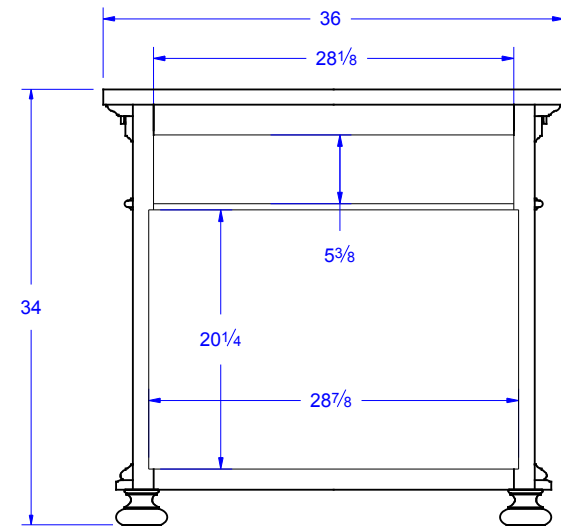
TOP VIEW



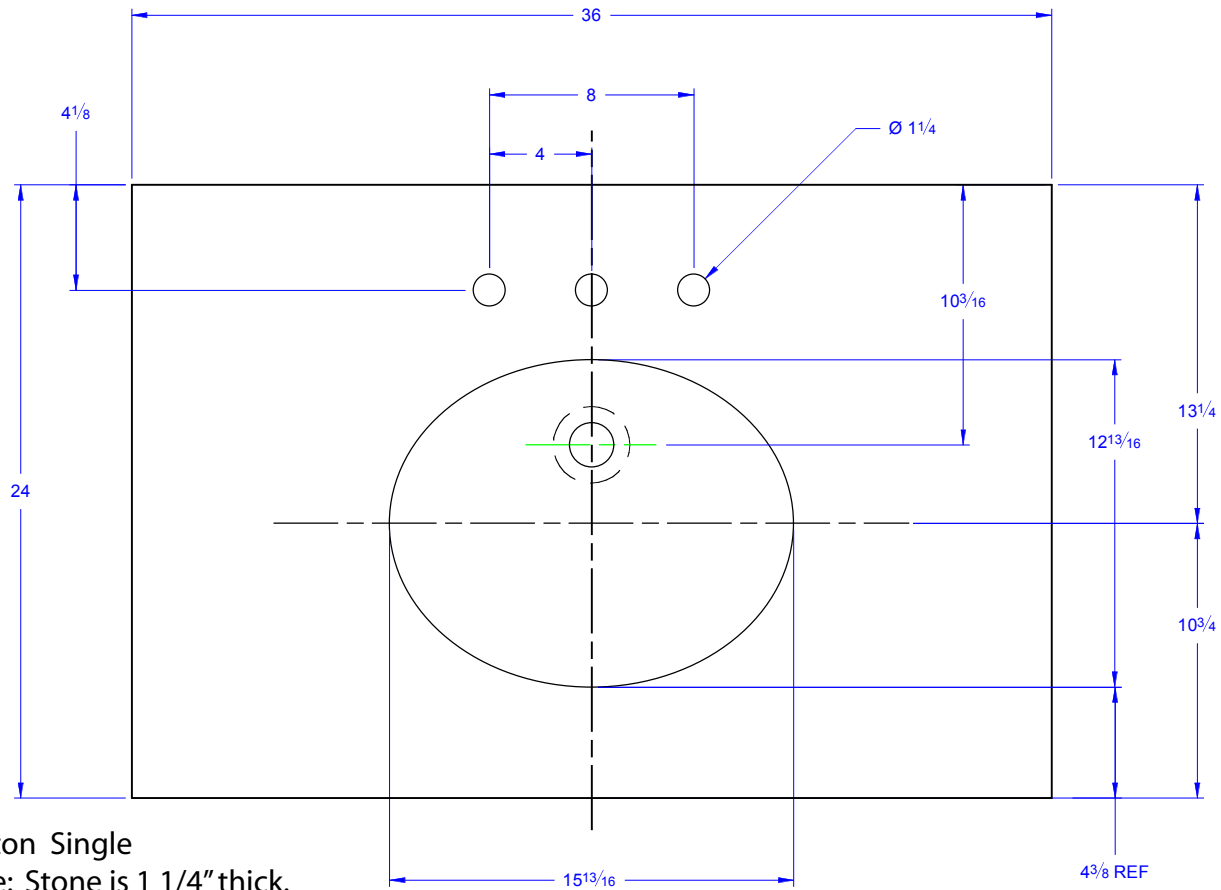
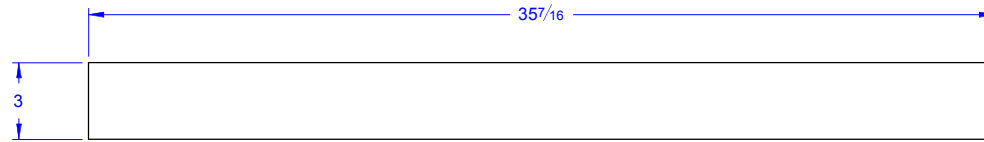
FRONT VIEW



SIDE VIEW



BACK VIEW



Hutton Single
 Note: Stone is 1 1/4" thick.

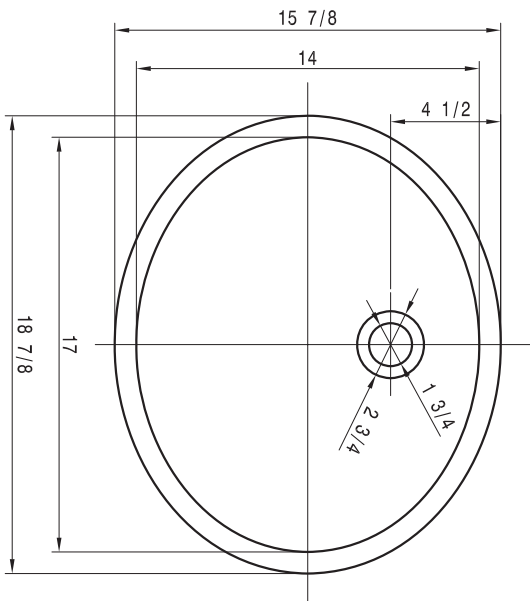
HUTTON SINGLE STONE

DRAWINGS REPRESENT ORIGINAL DESIGN SPECIFICATIONS. ACTUAL PRODUCT DIMENSIONS MAY VARY SLIGHTLY.
 ALL DIMENSIONS ARE REPRESENTED IN INCHES.

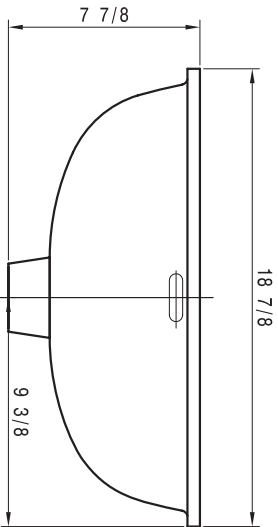
PROFESSIONAL INSTALLATION REQUIRED

Unless otherwise noted, all design and content, images, artwork, graphics, photography, text, and the like are copyrights, trademarks, trade dress, and/or intellectual property that are owned, controlled, or licensed by Restoration Hardware.

RESTORATION HARDWARE

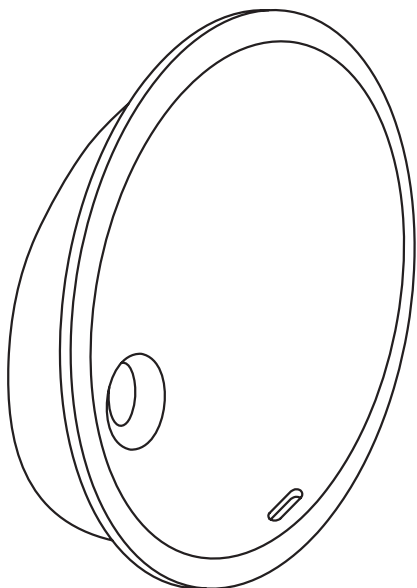


TOP VIEW

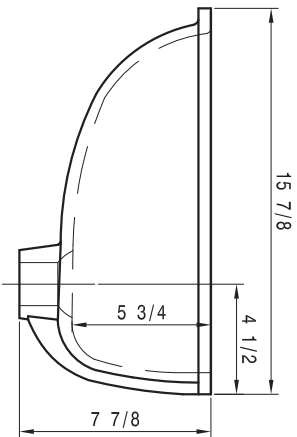


FRONT VIEW

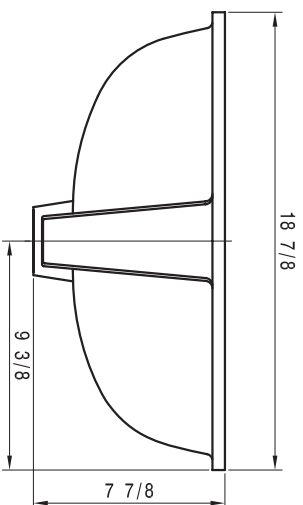
17 INCH BASIN TOLERANCE: $\pm 3\%$



3D VIEW



SIDE VIEW



BACK VIEW

17 INCH BASIN

DRAWINGS REPRESENT ORIGINAL DESIGN SPECIFICATIONS. ACTUAL PRODUCT DIMENSIONS MAY VARY SLIGHTLY.
ALL DIMENSIONS ARE REPRESENTED IN INCHES.
PROFESSIONAL INSTALLATION REQUIRED

RESTORATION HARDWARE

Unless otherwise noted, all design and content, images, artwork, graphics, photography, text, and the like are copyrights, trademarks, trade dress, and/or intellectual property that are owned, controlled, or licensed by Restoration Hardware.