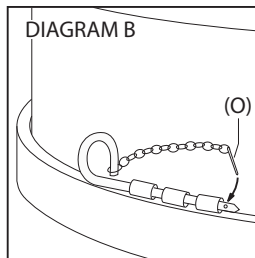
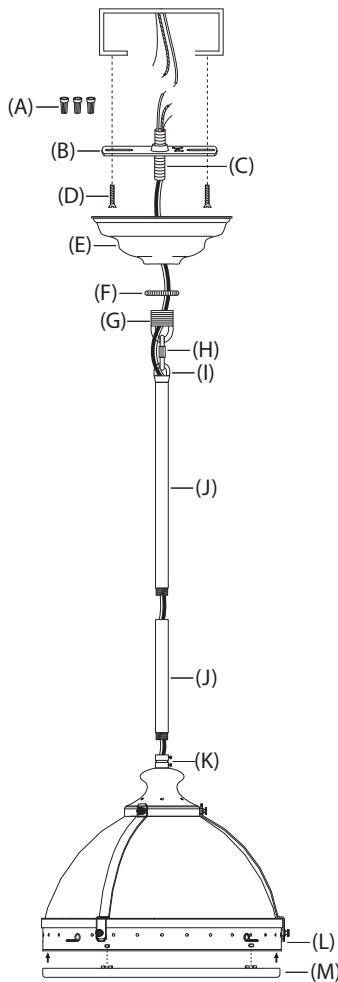


# RESTORATION HARDWARE

## CLEMSON CLASSIC 8" PENDANT

### PARTS ENCLOSED:

- |                   |                     |
|-------------------|---------------------|
| (A) Wire Nuts     | (J) Extensions      |
| (B) Cross Bar     | (K) Housing         |
| (C) Threaded Tube | (L) Shade Frame     |
| (D) Screws        | (M) Diffuser        |
| (E) Canopy        | (N) Large Slide Pin |
| (F) Collar        | (O) Small Slide Pin |
| (G) Hang Straight |                     |
| (H) Quick Link    |                     |
| (I) Loop          |                     |



### IMPORTANT SAFETY INSTRUCTIONS:

1. These instructions are provided for your safety. It is important that all instructions are read before beginning the fixture assembly.
2. Turn off power at switch before replacing bulbs, making sure fixture has had sufficient time to cool down.
3. If any special control devices are used with this fixture, follow the instructions carefully to assure full compliance with N.E.C. requirements. If there are any questions, contact a qualified electrical contractor.
4. WE STRONGLY RECOMMEND INSTALLATION BY A LICENSED ELECTRICIAN.

### TO ASSEMBLE:

**\*\*SHUT OFF ELECTRICAL SUPPLY AT CIRCUIT BREAKER\*\***

1. Remove all parts carefully from the carton. NOTE: Diffuser (M) is packed in the bottom of the fixture carton. BE SURE TO REMOVE DIFFUSER BEFORE DISCARDING CARTON.
2. Remove cross bar (B) from hang straight (G) by unthreading tube (C) from hang straight (G). Affix cross bar (B), including threaded tube (C), to ceiling outlet box using cross bar screws (D) provided.
3. Measure desired drop for fixture to hang and add/remove extension tubes (J) as needed. Guide wiring through extension tubes before threading tubes together.
- \*\*TO ADD/REMOVE EXTENSIONS: (Un)Thread the threaded nipple of one extension into/ out of the threaded opening of the next extension. Make sure electrical cord is pulled tight when threading extensions together to prevent damage to the wiring.\*\***
4. Thread the bottom extension (J) onto the threaded tube located at the top of housing (K).
5. Guide wiring from top extension (J) through center hole in hang straight (G).
6. Unthread collar (F) from hang straight (G). Slide collar (F) and canopy (E) down extensions (J) until they rest on housing (K).
7. Attach loop (I) and hang straight (G) using quick link (H).
8. Lift fixture to ceiling outlet box. Guide wiring through threaded tube (C). Thread hang straight (G) onto threaded tube (C).
9. Pull wiring from ceiling outlet box and make proper electrical connections described in steps 10-12. A LICENSED ELECTRICIAN IS RECOMMENDED.
10. Attach ground wire from fixture (green or silver in color) to ground wire from outlet box. Fasten wires together with wire nut (A) and tightly wrap connection with electrical tape.
11. Attach hot wire from fixture (black in color or smooth side of wire to hot wire from outlet box. Fasten wires together with wire nut (A) and tightly wrap connection with electrical tape.
12. Attach neutral wire from fixture (white in color or ribbed side of wire) to neutral wire from outlet box. Fasten wires together with wire nut (A) and tightly wrap connection with electrical tape.
13. Carefully push wire connections back into ceiling outlet box.
14. Slide canopy (E) up extensions (J) and hold firmly against ceiling. Slide collar (F) up extensions (J) and thread onto hang straight (G) to secure canopy (E) against the ceiling.
15. Install one 60W Max. Type B, Candelabra base bulb into the socket.
16. Place diffuser (M) onto the bottom of shade frame (L).
17. Use large slide pin (N) to secure the diffuser to the shade frame, as shown in DIAGRAM A.
18. Once large slide pin is in place, use small slide pin (O) to secure all parts together, as shown in DIAGRAM B.

### CARE INSTRUCTIONS:

1. To clean, wipe gently with a soft dry cloth. Do not use any chemical or abrasive cleaners as they may damage the finish.