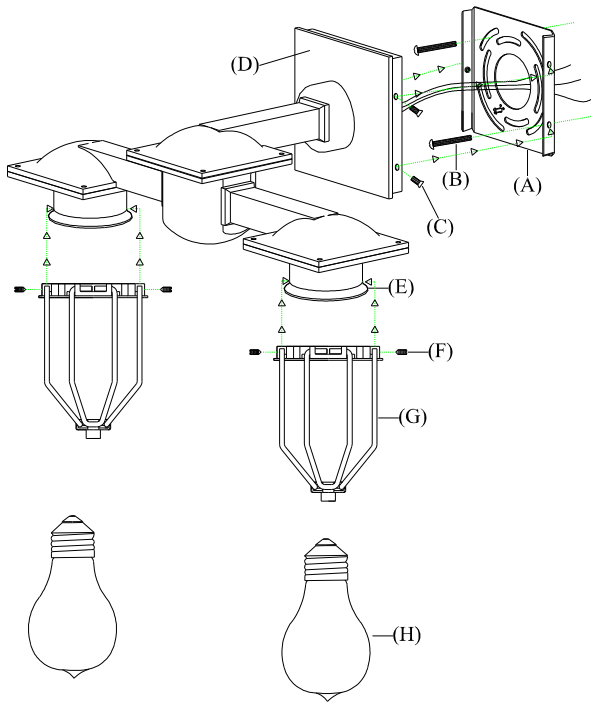


RESTORATION HARDWARE

METRO RAILWAY DOUBLE SCONCE

PARTS ENCLOSED

- (A) Mounting Plate (1)
- (B) Mounting Screws (2)
- (C) Base Screws (3)
- (D) Fixture Base (1)
- (E) Shade Holders (1)
- (F) Set Screws (4)
- (G) Cage Shades (1)
- (H) Light Bulbs (2)



IMPORTANT SAFETY INSTRUCTIONS:

WE RECOMMEND INSTALLATION BY A LICENSED ELECTRICIAN. This fixture has been rated for up to two (2) 60-Watt maximum Type A light bulbs (H) (40W Expo Quad Loop Filament Bulbs included) –OR– 13W Compact Fluorescent bulbs (not included). To avoid the risk of fire, do not exceed the recommended wattage.

WARNINGS:

1. All wires are connected.
2. Do not remove the lamp from its packaging by pulling on the power cord, as a bad connection may result.
3. Do not connect electricity until your lamp is fully assembled.
4. To reduce the risk of fire, electrical shock, or personal injury, always turn off and unplug lamp and allow it to cool prior to replacing light bulb.
5. Do not touch bulb when fixture is turned on or look directly at lit bulb.
6. Keep flammable materials away from lit bulb.
7. This lighting fixture contains lead, a chemical known to the State of California to cause cancer, birth defects and other reproductive harm. Wash hands after installing, handling, cleaning or otherwise touching this light fixture.

TO ASSEMBLE:

1. Carefully remove all parts from the box and remove all plastic covering.
2. Remove mounting plate (A) from fixture base (D) by unscrewing base screws (C) in counter-clockwise direction.
3. Place mounting plate (A) to wall outlet box by aligning the holes and secure with mounting screws (B).
4. Attach the fixture ground wire (green) to the ground wire from the outlet box (usually green or bare wire) with a plastic wire connector and wrap the connection with electrical tape.
5. Connect the neutral wire (white) to the neutral outlet wire (usually white) with a plastic wire connector and wrap the connection with electrical tape.
6. Connect the hot wire (black) to the hot outlet box wire (usually black) with a plastic wire connector and wrap the connection with electrical tape.
7. Place the fixture base (D) to mounting plate (A) by aligning the holes and secure with base screws (C).
8. Insert the recommended bulbs into sockets.
9. Remove set screws (F) from cage shades (G).
10. Attach cage shades (G) to shade holders (E) and secure with set screws (F).
11. Assembly is complete.

CARE INSTRUCTIONS:

Wipe all surfaces with a soft dry cloth. Clean glass with a mild soap and water mixture. Do not use any harsh cleaners (including ammonia-based products) or abrasives, as they will damage the finish.