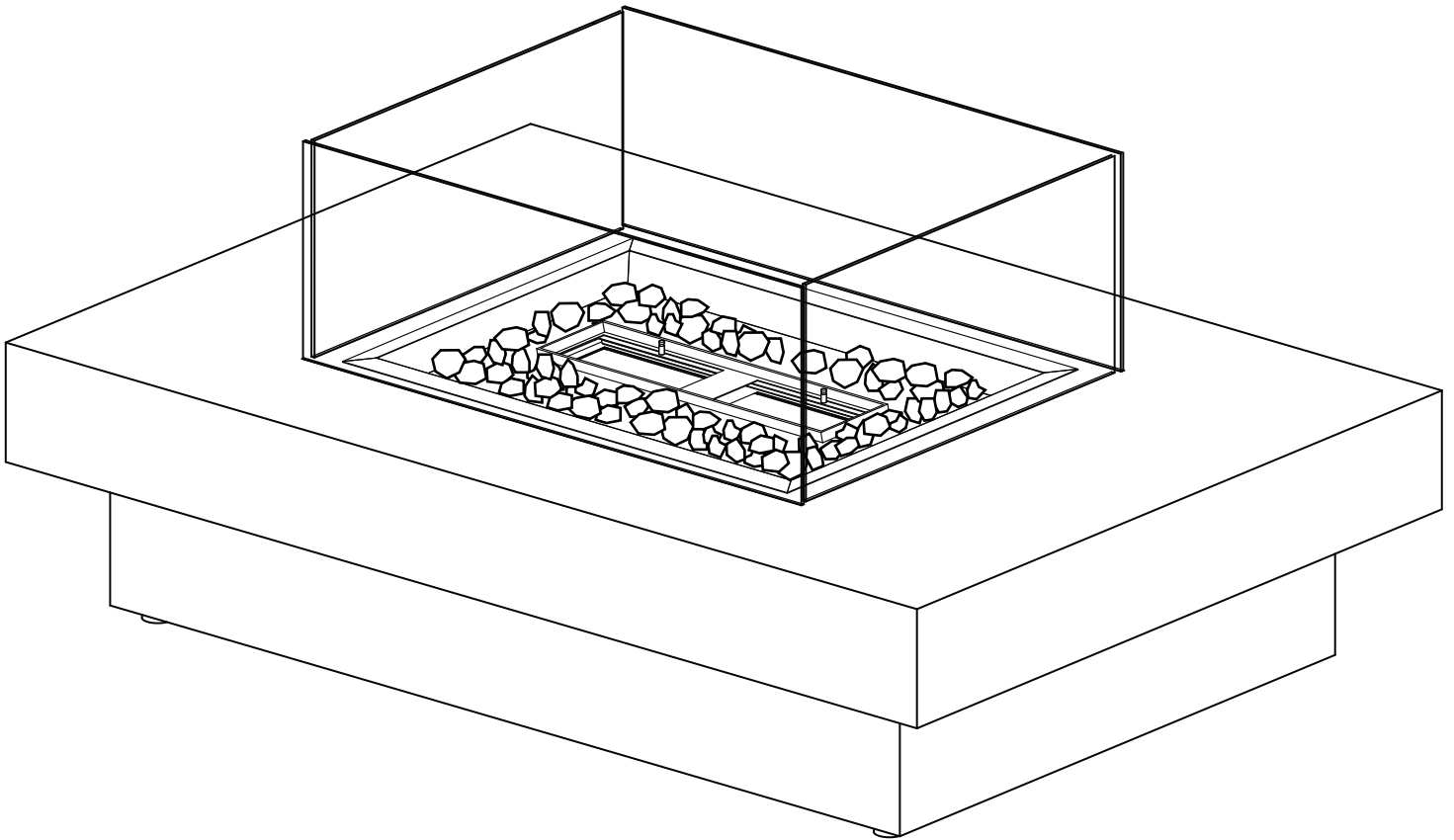


Lot: _____
PO: _____

RESTORATION HARDWARE

Style # 26100211
Laguna Ventless Rectangle Fire Table
Owner's Manual



**For Technical Support call
1-800-654-1704**



Designed and Engineered by Real Flame.
Manufactured in China for:
Restoration Hardware
15 Koch Rd
Suite J
Corte Madera, CA 94925



**For outdoor use only
Do not use for cooking**

Restoration Hardware Customer Service: 1-800-816-0901

TABLE OF CONTENTS

Dangers and Warnings	3
Parts List and Descriptions	4
Assembly Instructions	5
Install Lava Rock and Troughs	6
Install Glass	6
Operating the Fireplace	7
Adjusting and Extinguishing the Flame	7
Care, Cleaning and Maintenance	8

WARNINGS

Read entire label and all instructions included with ventless fireplace fuel and fireplace PROPERTY DAMAGE, SERIOUS INJURY OR DEATH may result if these warnings are not followed

HAZARDS

- Ventless Fireplace Fuel is flammable. Failure to follow warnings can result in property damage or serious burns.
- Use only Real Flame® Ventless Fireplace Fuel in this unit. Do not use with any other fuel or flammable material.
- **Do not attempt to refuel a unit that is already burning. Pouring any kind of fuel on a fire can result in flare-ups or flashbacks. Make sure the fire is out and allow the unit to cool for 20 minutes before refueling.**
- Do not store or use gasoline or other flammable materials, including gel fuel, near this product. Vapors or leaks from these types of items could travel to sources of flame or heat and increase the risk of fire or explosion.

In case of an emergency use a CO2 extinguisher or baking soda to extinguish the fire.

1. Burn only Real Flame® Ventless Fireplace Fuel in the fireplace. Never burn trash, paper, or wood in the unit.
2. Fireplace is not to be operated by anyone below age 18. Keep away from children and pets.
3. Make sure fireplace is placed on a flat and level surface. Failure to do so could cause the unit to tip, which could set surroundings on fire or cause serious injury. Do not place fireplace in an area with lots of traffic, such as a hallway or entryway.
4. **WARNING:** Never alter or dismantle the Real Flame® fireplace in any manner.
5. Never burn ventless fireplace fuel outside the designated burn area. Wipe up spills.
6. Do not burn more than the specified amount of fuel at any time.
7. Never leave a burning fire unattended, especially around children or pets.
8. Never touch glass or any metal surfaces during or immediately after burning ventless fireplace fuel. They will be extremely HOT. Allow surfaces to cool for 20 minutes before touching, refueling, or moving the unit.
9. Do not wear flammable or loose clothing when operating the unit.
10. Exercise the same precautions as you would with any open fire.

NOTE: Users are responsible for following these instructions and warnings and for operating this product safely.

Using your Fireplace

- Unit is for indoor or outdoor use.
- Before using unit, be sure you have read and understood the step-by-step instructions in this manual.
- After several burns, soot may develop on the inside of the glass. Clean with a damp soapy rag or any household glass cleaner.
- During the initial burn you may experience a slight odor. Odor is temporary and will be absent on following burns.

VENTLESS FIREPLACE FUEL

Real Flame® Ventless Fireplace Fuel contains isopropyl alcohol. Avoid contact with eyes, mucous membranes or prolonged contact with skin. May irritate eyes. Store in a cool, dry place. Keep away from flame, heat or items that spark. Use in well-ventilated areas. Keep out of reach of children and pets. In case of fire, use a CO2 fire extinguisher or baking soda.



FIRST AID

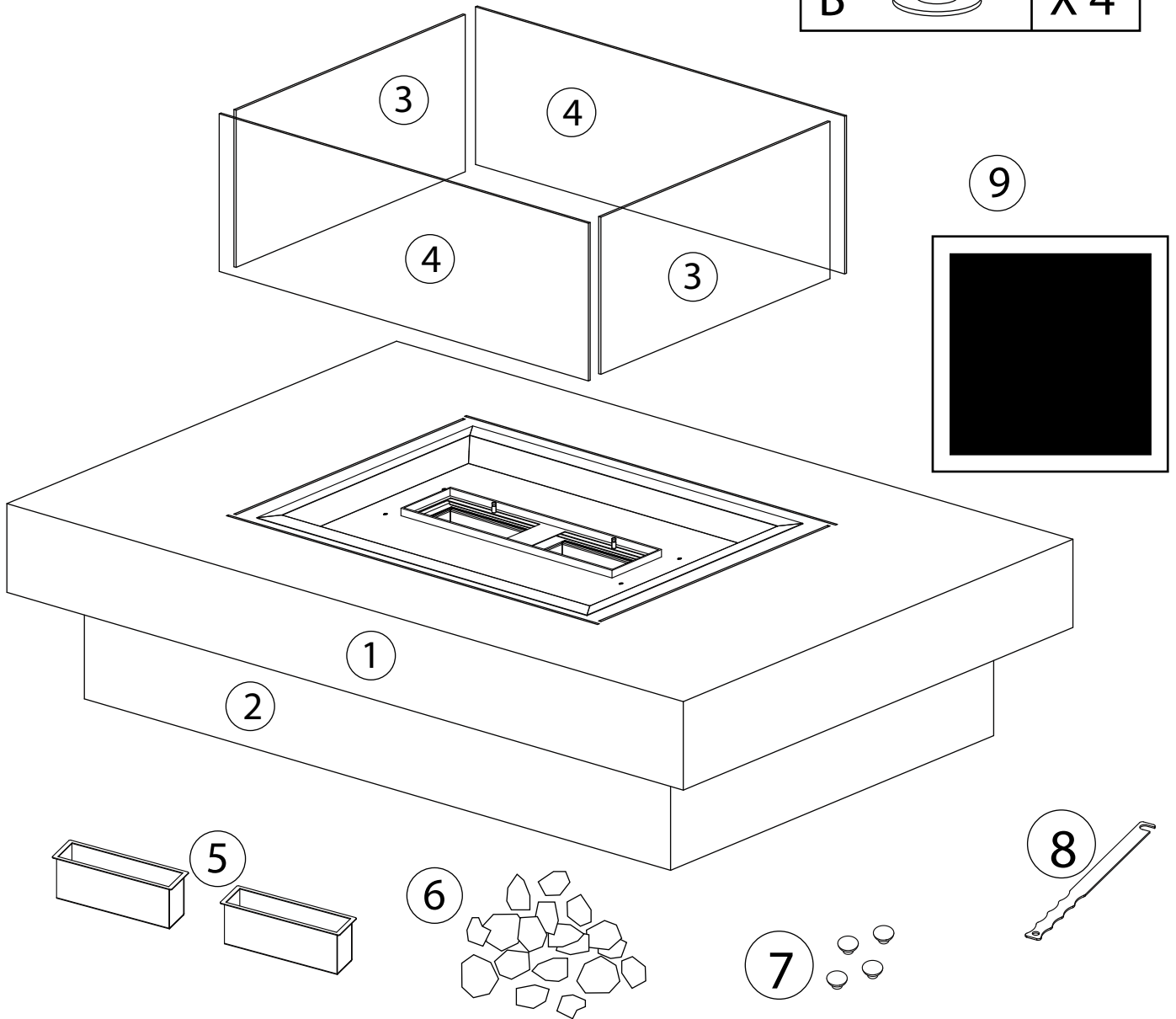
If fuel gets in eyes, flush with water for 15 minutes; get medical attention. If ingested, do not induce vomiting; call poison control center or a doctor.

If you have questions please call customer service at 1-800-654-1704

PARTS LIST

①	Table Top	1	④	Long Glass	05620004	2
	Sand	05653501	⑤	Trough	70002410	2
	W. Slate	05654301	⑥	River Rock	05653407	2 Boxes
②	Table Base	1	⑦	Feet	05600006	4
	Sand	05653502	⑧	Scraper	00112400	1
	W. Slate	05654302	⑨	Cover	05620109	1
③	Short Glass	05600003	2			

Hardware 05600012	
A	 X 4
B	 X 4

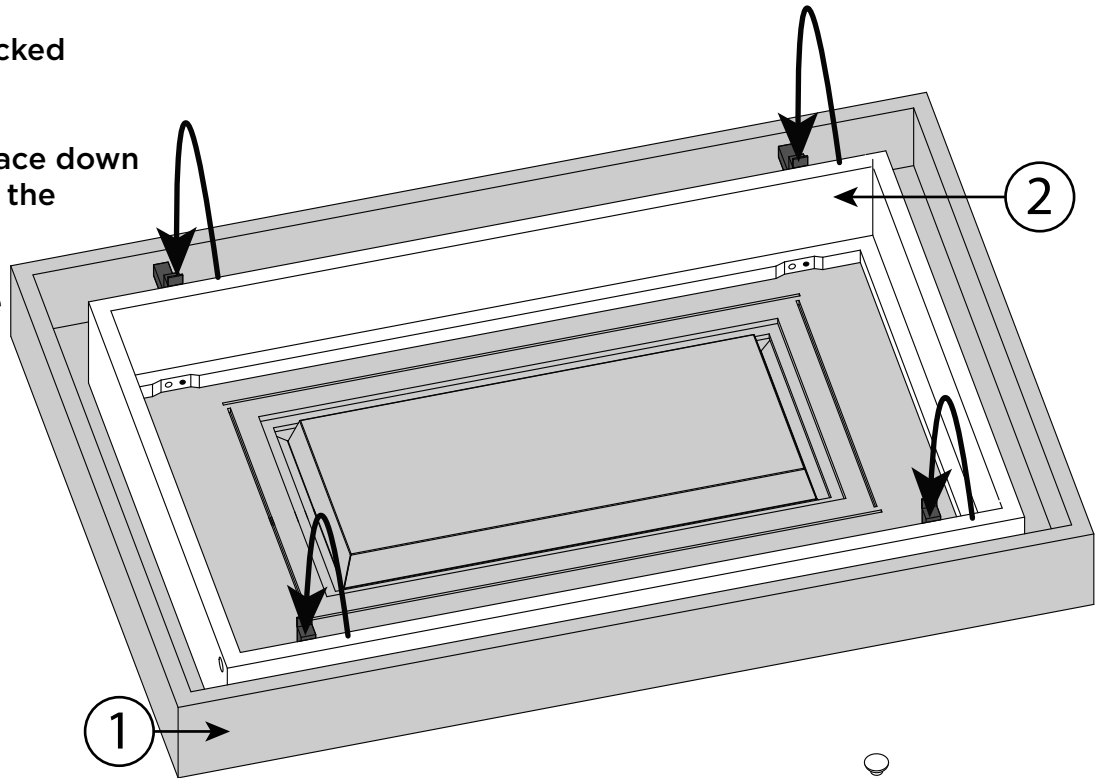


CAUTION The table is very heavy, make sure that another person is available to help you.

The Table Base (2) is packed inside the Table Top (1).

Place the Table Top (1) face down on cardboard to protect the finish.

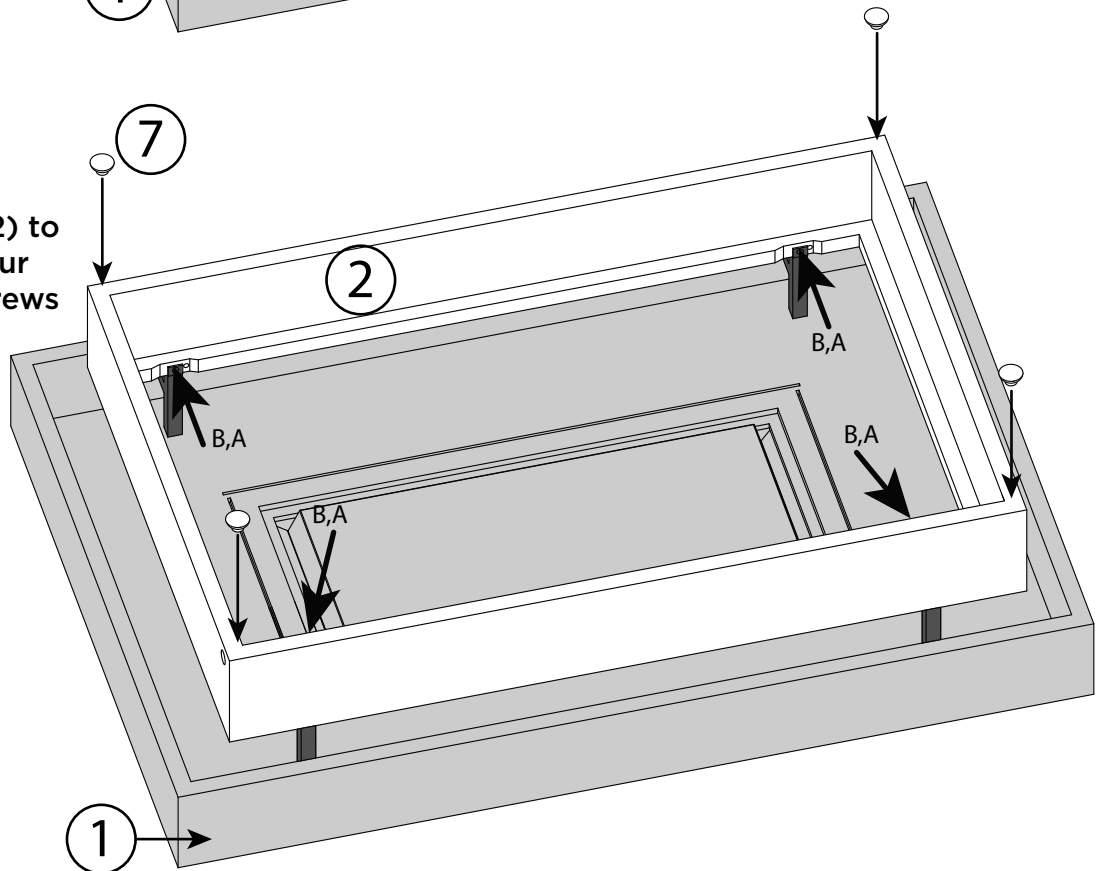
To attach the Table Base to the Table Top, lift the Table Base (2) up and place on the ends of the square posts with the tabs on the inside of the Base.



Secure the Table Base (2) to the Table Top (1) with four washers (B) and four screws (A) at the 4 supports.

Screw on Table Feet (7) to the bottom of the base.

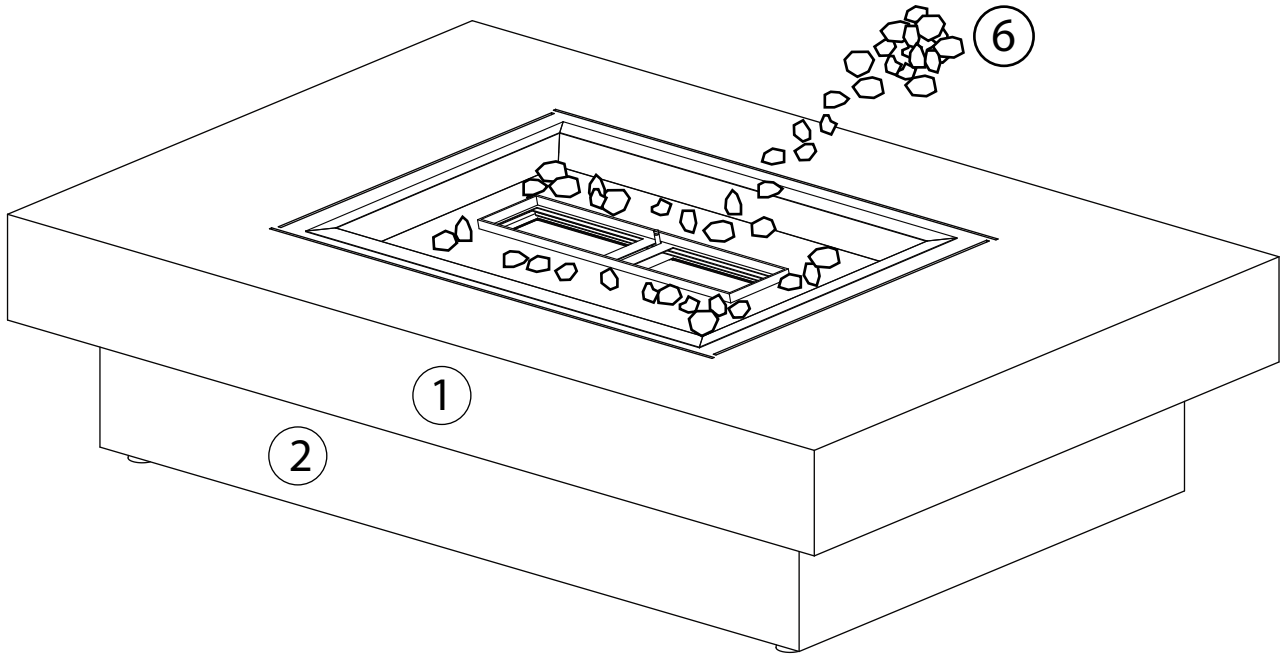
Flip Table over with the help of another person. Do not attempt to turn table upright by yourself as injury to yourself or damage to the table may occur.



ASSEMBLY INSTRUCTIONS

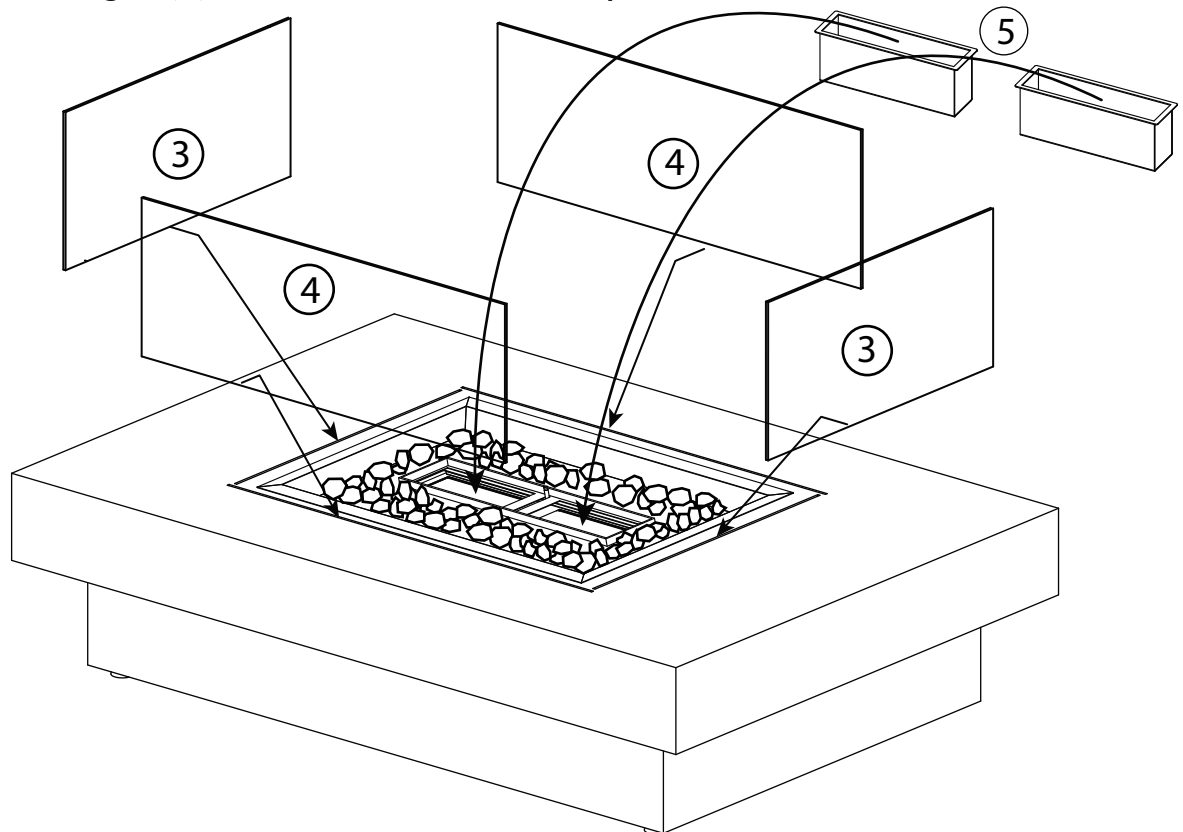
2

Remove protective film from stainless burn tray.
Place River Rock (6) around trough openings

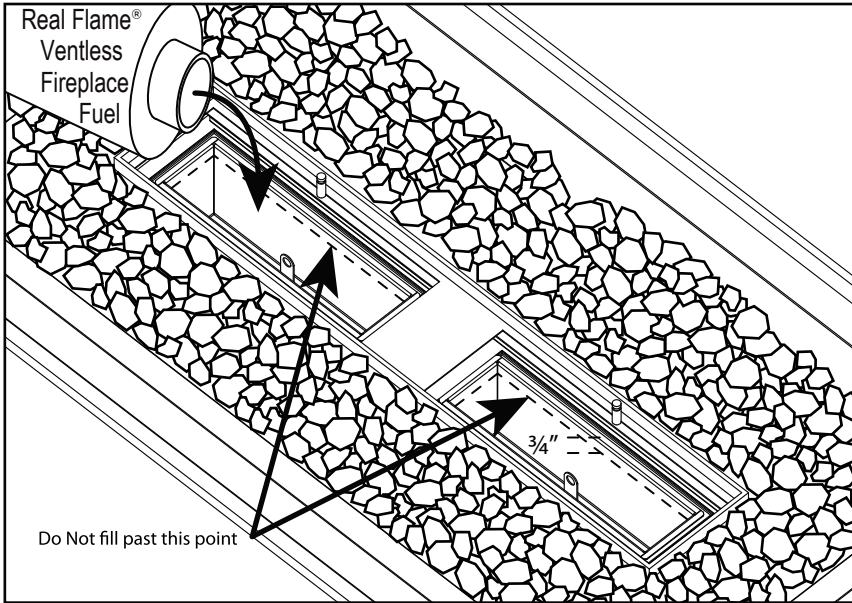


3

Insert glass (3 and 4) into the slots in the table top as shown.
Install the troughs (5) into the center of the fireplace.



Operating the Fireplace



With the troughs placed in the unit fill each trough with Real Flame® Ventless Fireplace Fuel to the top of the post in the trough or 3/4" from the lip of the trough. Prior to lighting make sure that all protective film has been removed from the stainless burn tray.

DO NOT OVERFILL.

CLEAN UP ANY SPILLED FUEL BEFORE LIGHTING.

Lighting:

Use a long match or extended lighter to ignite ventless fireplace fuel.

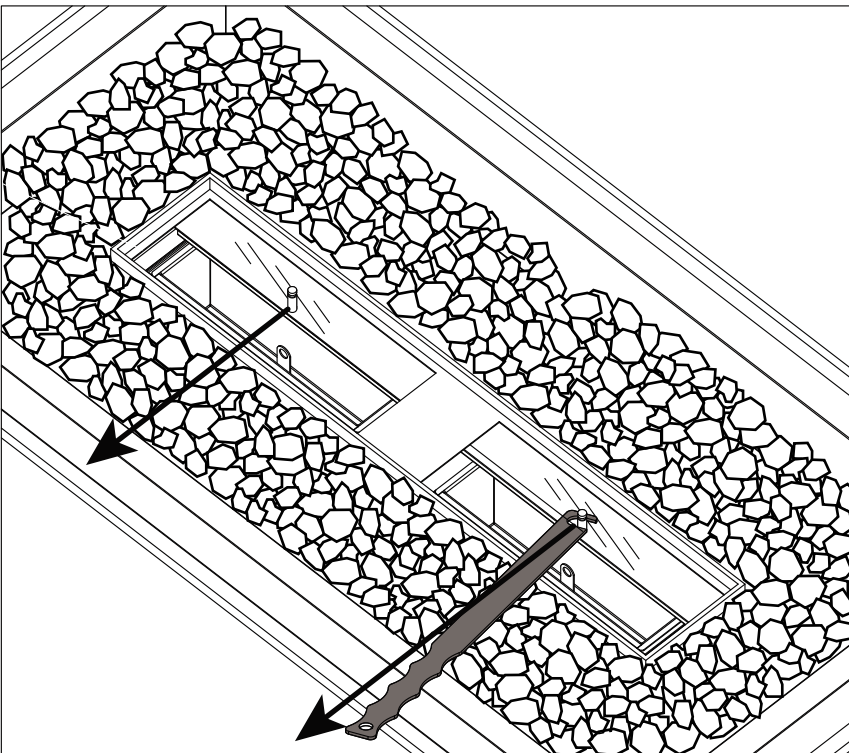
NOTE:

Finish filling troughs and replace cap on fuel container before attempting to light the unit.

WARNING: RISK OF EXPLOSION

- Do not attempt to refuel a unit that is already burning. Pouring any kind of fuel on a fire could result in flare-ups or flashbacks. Make sure the fire is out and allow the unit to cool for 20 minutes before refueling.
- Use only Real Flame® Ventless Fireplace Fuel in this product. Do not use with any other fireplace fuel or flammable material.
- Do not store or use gasoline or other flammable materials, including gel fuel, near this product. Vapors or leaks from these types of items could travel to sources of flame or heat and increase the risk of fire or explosion.
- In case of an emergency use a CO2 extinguisher or baking soda to extinguish the fire.

Adjustment & Extinguishing



You may adjust the flames simply by pulling the damper out part way with tool until desired intensity is reached.

Using with damper partially open will result in a longer burn time, while a fully open damper will provide a larger flame.

To Extinguish

Pull damper handle outward as shown until it reaches it's stopping point and the flames go out. Leave closed for 10-15 seconds to ensure flames have been fully extinguished.

NEVER LEAVE ANY FIRE UNATTENDED

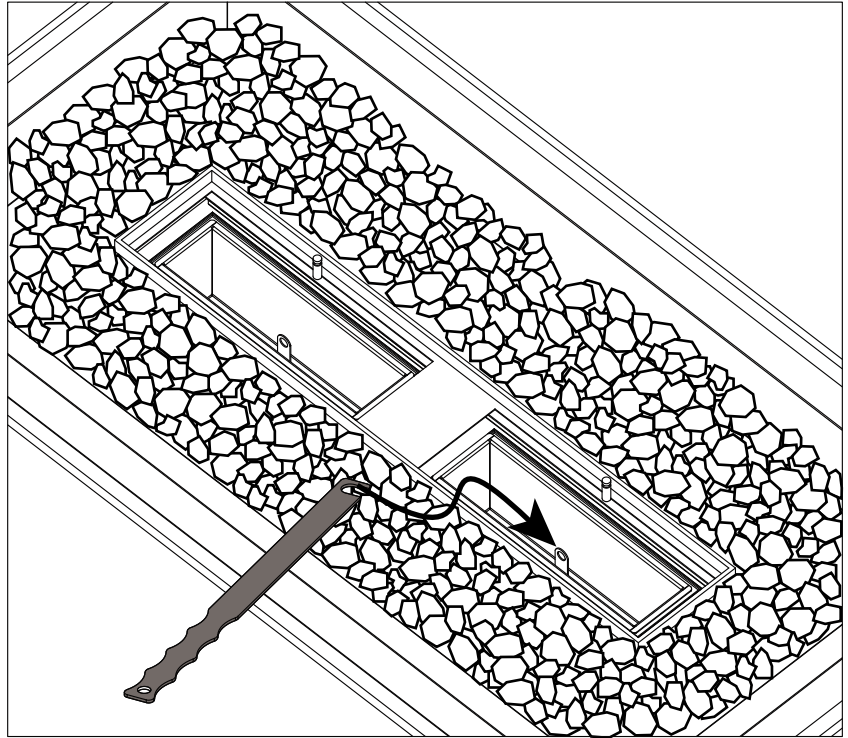
Note

Leftover fuel can be re-used. If fuel has been sitting out uncovered, it may require a brief stirring with the scraper to reactivate the fuel.

Before attempting to clean the fireplace or remove the troughs make sure the fireplace has completely cooled down.

Remove trough by hooking the post in the center of the trough with the scraper tool's hook end.

Carefully lift straight upward and out of the base.



CARE AND CLEANING

Burn troughs should be cleaned every two to three burns. This can be done with the included scraper.

- **ALLOW TROUGH TO COOL COMPLETELY BEFORE ATTEMPTING TO CLEAN.**
- Using edge of tool, carefully scrape away any residue from sides and bottom of trough
- Residue should be thrown away in the trash.

When the fireplace is not in use it should be covered by the black cover. Make sure that the fireplace is **completely cooled down** before attempting to cover it.

A standard household glass cleaner can be used to clean the glass parts of the fireplace.

A damp rag and mild soap can be used to clean the body of the fireplace.

