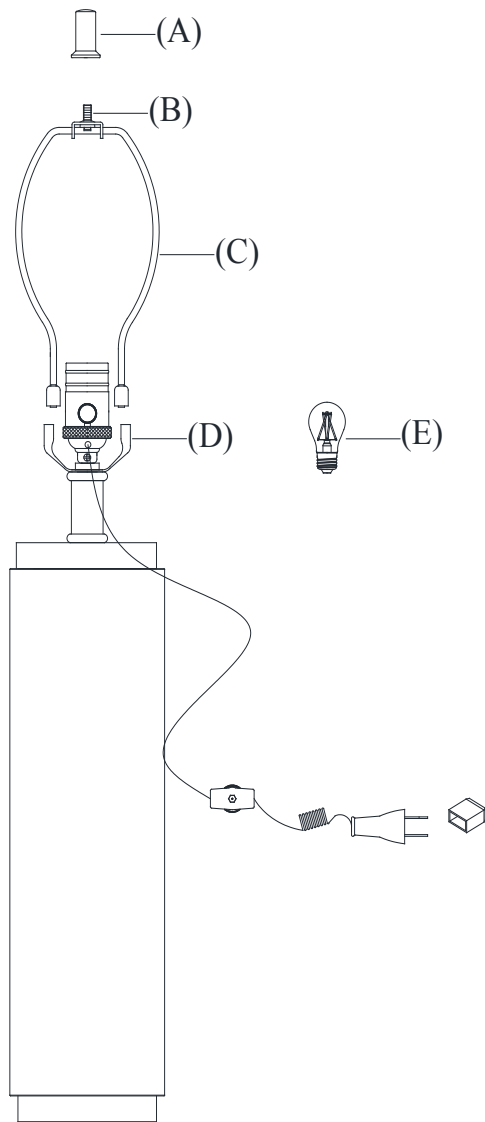


RH

SQUARE COLUMN CRYSTAL TABLE LAMP

PARTS ENCLOSED

- (A) Finial (1)
- (B) Harp Post (1)
- (C) Harp (1)
- (D) Harp Saddle (1)
- (E) LED Bulb (1)



SQUARE COLUMN CRYSTAL TABLE LAMP

IMPORTANT SAFETY INSTRUCTIONS

For safety purposes, this lamp is equipped with a polarized plug (one blade is wider than the other). If the plug does not fit securely into outlet, do not force it - contact a professional electrician. Use the plug with an extension cord only if it can be fully inserted into the cord's socket. Never alter the plug in any way.

This fixture has been rated for one (1) 100-Watt maximum TYPE A standard bulb (not included) or one (1) 23-Watt Compact Fluorescent bulb (not included) or one (1) 9-Watt SBLED lightbulb (D) (included).

To avoid the risk of fire, do not exceed the recommended wattage.

WARNINGS

All wires are connected. When unpacking, be careful not to pull wires, as a bad connection may result. Do not connect electricity until your fixture is fully assembled. To reduce the risk of fire, electrical shock, or personal injury, always turn off fixture and allow it to cool prior to replacing the lightbulb. Do not touch or look directly at the bulb when fixture is illuminated. Keep flammable materials away from lit bulb.



WARNING: This product can expose you to lead, which is known to the State of California to cause cancer and birth defects or other reproductive harm. For more information, go to www.P65Warnings.ca.gov.

THIS IS NOT A TOY AND THE PRODUCT HAS NO PLAY VALUE.



WARNING: STRANGULATION HAZARD

Keep cord at least 3 ft away from cribs, bassinets, and toddler beds.
Keep out of reach of children under 3.

ASSEMBLY & INSTALLATION

1. Carefully remove all parts from the box and remove all plastic covering.
2. Insert Harp (C) into the Harp Saddle (D).
3. Unscrew the Finial (A) from the Harp Post (B) and place the desired shade (not included) over the Harp (C).
4. Attach the Finial (A) and tighten to secure the shade.
5. Insert Bulb (E) into threaded socket.
6. Plug into proper electrical outlet and test fixture.
7. Assembly is complete.

CARE INSTRUCTIONS

Do not use polishes or cleaners on your lamp. Just wipe clean with a soft cloth.