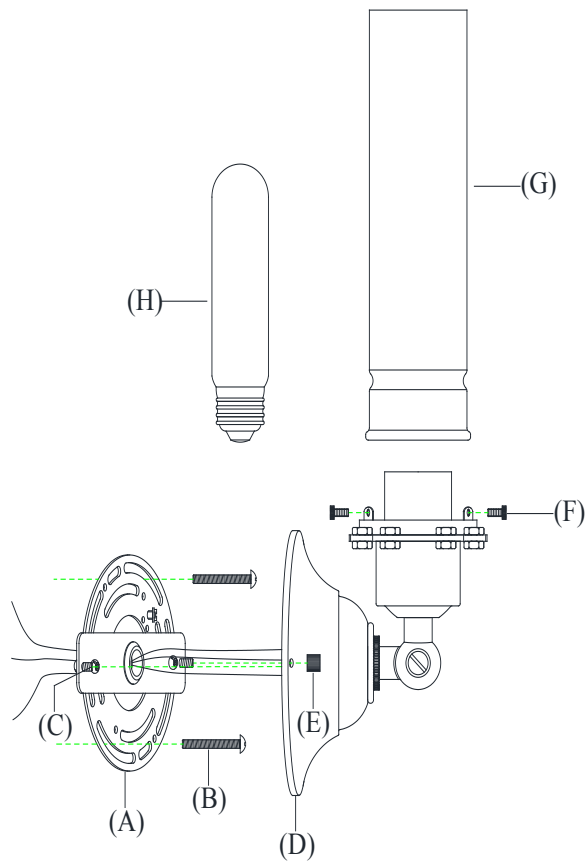


EDISON MILK GLASS SCONCE

PARTS ENCLOSED

- (A) Mounting Plate (1)
- (B) Mounting Screws (2)
- (C) Threaded Rod (2)
- (D) Fixture Base (1)
- (E) Cap Nuts (2)
- (F) Thumbscrews (3)
- (G) Glass Shade (1)
- (H) Bulb (1)



EDISON MILK GLASS SCNCE

IMPORTANT SAFETY INSTRUCTIONS

INSTALLATION BY A LICENSED ELECTRICIAN IS STRONGLY RECOMMENDED.

This fixture has been rated for one (1) 40-Watt maximum TYPE T standard bulb (included) OR one (1) 13-Watt Compact Fluorescent bulb (not included). To avoid the risk of fire, do not exceed the recommended wattage.

WARNINGS

All wires are connected. When unpacking, be careful not to pull wires, as a bad connection may result. Do not connect electricity until your fixture is fully assembled. To reduce the risk of fire, electrical shock, or personal injury, always turn off fixture and allow it to cool prior to replacing the lightbulb. Do not touch or look directly at the bulb when fixture is illuminated. Keep flammable materials away from lit bulb.



WARNING: This product can expose you to lead, which is known to the State of California to cause cancer and birth defects or other reproductive harm. For more information, go to www.P65Warnings.ca.gov.

THIS IS NOT A TOY AND THE PRODUCT HAS NO PLAY VALUE.



WARNING: STRANGULATION HAZARD

Keep cord at least 3 ft away from cribs, bassinets, and toddler beds. Keep out of reach of children under 3.

ASSEMBLY & INSTALLATION

SHUT OFF THE MAIN ELECTRICAL SUPPLY FROM THE FUSE BOX OR CIRCUIT BREAKER PANEL.

1. Carefully remove all parts from the box and remove all plastic covering.
2. Remove Mounting Plate (A) from the Fixture Base (D) by unscrewing Cap Nuts (E).
3. Attach Mounting Plate (A) to wall outlet and secure with Mounting Screws (B) to the wall outlet box.
4. Connect ground wire from the light fixture (GREEN) to ground wire from wall outlet box (usually green or copper in color). Fasten together with a plastic wire connector provided and tightly wrap the wire connector with electrical tape so the end of the connector is sealed. IT IS IMPERATIVE THAT THE OUTLET BOX IN YOUR HOME BE PROPERLY GROUNDED.
5. Connect the neutral wire (WHITE) to the neutral outlet wire (usually white) with a plastic wire connector and wrap the connection with electrical tape.
6. Repeat the procedure with the hot (BLACK) wire to hot (usually black) outlet wire. Always make sure that no wire strands are left outside of the connections. DO NOT REVERSE THE HOT AND NEUTRAL CONNECTIONS; OTHERWISE, SAFETY WILL BE COMPROMISED.
7. Attach Fixture Base (D) to Mounting Plate (A), letting Threaded Rods (C) pass through the holes on Fixture Base (D).
8. Replace Cap Nuts (E) on Threaded Rods (C) to secure Fixture Base (D) to Mounting Plate (A).
9. Insert Bulb (H) into threaded socket.
10. Remove Thumbscrews (F) from shade holder. Attach Glass Shade (G) to shade holder and secure with Thumbscrews (F). NOTE: DO NOT OVERTIGHTEN; OTHERWISE, GLASS SHADE WILL BE DAMAGED.
11. Restore power to outlet box and check operation of fixture.
12. Assembly is complete.

CARE INSTRUCTIONS

Do not use polishes or cleaners on your lamp. Just wipe clean with a soft cloth.