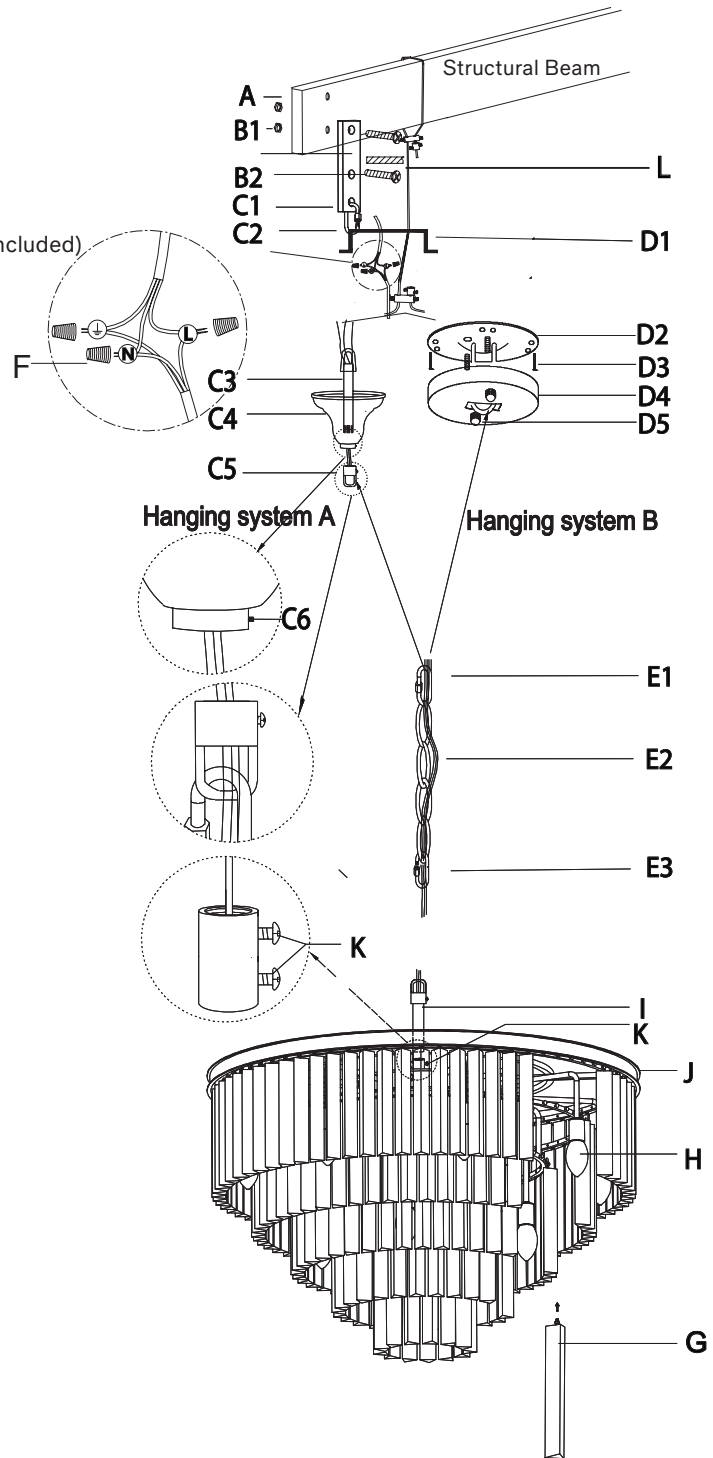


PARTS ENCLOSED

- (A) Wooden Beam (not included)
- (B1) Mounting Nuts (2; not included)
- (B2) Mounting Bolts (2; not included)
- (C1) Mounting Hardware (1)
- (C2) 6mm Quick Link (1)
- (C3) Collar (1)
- (C4) Canopy A (1)
- (C5) Hang Straight (1)
- (C6) Bolt (1)
- (D1) Junction Box, 22.7kg/50lbs. MIN. FIXTURE RATED (not included)
- (D2) Ceiling Plate (1)
- (D3) Mounting Screws (4; not included)
- (D4) Canopy B (1)
- (D5) Bolt Nuts (2)
- (E1) 6mm Quick Link (1)
- (E2) 6mm Chain (1)
- (E3) 6mm Quick Link (1)
- (F) Wire Nuts (3)
- (G) Glass Drops +Spares (205+6)
- (H) Bulbs +Spares (17+6)
- (I) Collar (1)
- (J) Body (1)
- (K) Bolt (1)
- (L) Safety Cable (1)



PRODUCT DESCRIPTION

General material: Calcite and Iron
 Height: 28.35in (72.0cm)
 Diameter: 31.50in (80.0cm)
 Weight: 143.30lbs (65.0kg)
 Grounded / Hardwired

PROFESSIONAL INSTALLATION REQUIRED**IMPORTANT SAFETY INSTRUCTIONS**

1. Use an authorized and certified electrician for consultation and installation.
2. This fixture has been rated for nine (9) 25-watt maximum E12 bulbs.
3. To avoid the risk of fire, do not exceed the recommended wattage.
4. The ceiling must have at least the capacity of 5 times the weight of the ceiling light. For this light, at least a ceiling capacity of 297.62lbs (135kg) is required.
5. The manufacturer and distributor accept no liability for incorrect installation.
6. For indoor use only.
7. Keep away from children.

WARNINGS

1. Turn off electricity supply at main circuit panel before installing. Do not connect electricity supply until your light is fully assembled and installed.
2. All wires are connected. Do not remove the ceiling light from its packaging by pulling on the power cord, as a bad connection may result.
3. To reduce the risk of fire, electrical shock, or personal injury, always turn off the ceiling light and allow it to cool prior to replacing lightbulbs. Do not touch bulbs when fixture is turned on or look directly at lightbulbs. Keep flammable materials away from lightbulb.
4. Deviation from instructions may result in a risk of fire or electric shock.

THIS PRODUCT IS NOT A TOY AND HAS NO PLAY VALUE.

ASSEMBLY & INSTRUCTIONS

1. Carefully remove all parts from the box and remove all plastic covering.
2. Turn OFF power to junction box where the ceiling light will be installed.
3. The implementation of hanging system depends on whether the ceiling is vaulted or level.
4. Hanging system A is for level ceiling, which include mounting nut (B1), mounting bolt (B2), mounting hardware (C1), quick chain (C2), collar (C3), canopy A (C4), and hang straight (C5). Loosen the bolt of hang straight (C5) and remove the collar (C3) from the hang straight (C5) by unscrewing it. Then insert collar (C3) into canopy A (C4) and reattach collar (C3) to hang straight (C5). Tighten the bolt (C6) of the hang straight (C5).
5. Hanging system B is for sloped ceiling, which include junction box (D1), ceiling plate B (D2), canopy B (D4), and bolt nut (D5). Loosen the bolt nut (D4) of canopy (D4) and remove the ceiling plate B (D2) from the canopy.
6. Have a professional contractor reinforce ceiling. Attach the safety cable (L) to ceiling beam through the junction box (A), then attach the safety cable to the fixed fixture on the ceiling with the nut locker.

ASSEMBLY & INSTRUCTIONS CONT.

7. Fasten collar (I) to chandelier body (J). Tighten the bolt (K) on body(J).
8. Unlock the quick link (E3) on the opposite end of the chain (E2) and attach to the hang straight on body (J) and tighten the bolt (K).
9. Hanging system A: Attach the wooden ceiling mounting hardware (C1) to the wooden beam (A) with mounting bolts (B2) and nuts (B1). Unlock the quick link (C2) to attach the ceiling mounting hardware (C1) and top hang straight of the collar (C3).
10. Hanging system B: Attach the ceiling plate B (D2) to the ceiling with mounting screws (D3). Unlock the quick link at the top of the chain (E1) to attach the ceiling plate B (D2).
11. Connect the ground wire from the fixture to the ground junction box wire (A) (usually the green or bare wire) and wrap the connection with electrical tape. Connect the hot wire to the hot junction box wire (A) (usually black or smooth) with a plastic wire nut (F) and wrap the connection with electrical tape. Connect the neutral wire to the neutral junction box wire (A) (usually white or ribbed) with a plastic wire nut (F) and wrap the connection with electrical tape.
12. Move the canopy (C4 or D4) up to the ceiling, then fasten the bolt (C6) or bolt nut (D5).
13. Fasten lightbulbs (H) to the lampholders.
14. Hang the glass drops (G) from the inner to the outer layer and keep flat surface of glass drop inside. To ensure safety of chandelier during glass drop installation, please maintain level of chandelier by ensuring you install glass drops in balanced way on opposite ends of light.
15. Restore power to the junction box and test ceiling light fixture.

CARE INSTRUCTIONS

1. Make sure that power is turned off and bulbs have cooled before handling.
2. Wipe clean with a dry cloth / mild soapy solution. Do not use corrosive cleaners.
3. The cable / cord of this ceiling light cannot be replaced; if the cable is damaged, do not use the light.

ENVIRONMENT

Special waste handling may be required. Please contact your local authorities for more information.

CEILING SAFETY CABLE ASSEMBLY

1. Remove the nut locker A & B by loosening the set screw from the ceiling safety cable before installation.
2. Insert the ceiling safety cable through the nut lockers as the drawing shows.
3. Fasten the nut locker A with set screw by small allen key.
4. Fasten the nut locker B with set screw by small allen key.

