

# INSTALLATION INSTRUCTIONS P-TRAP SUPPLY KIT

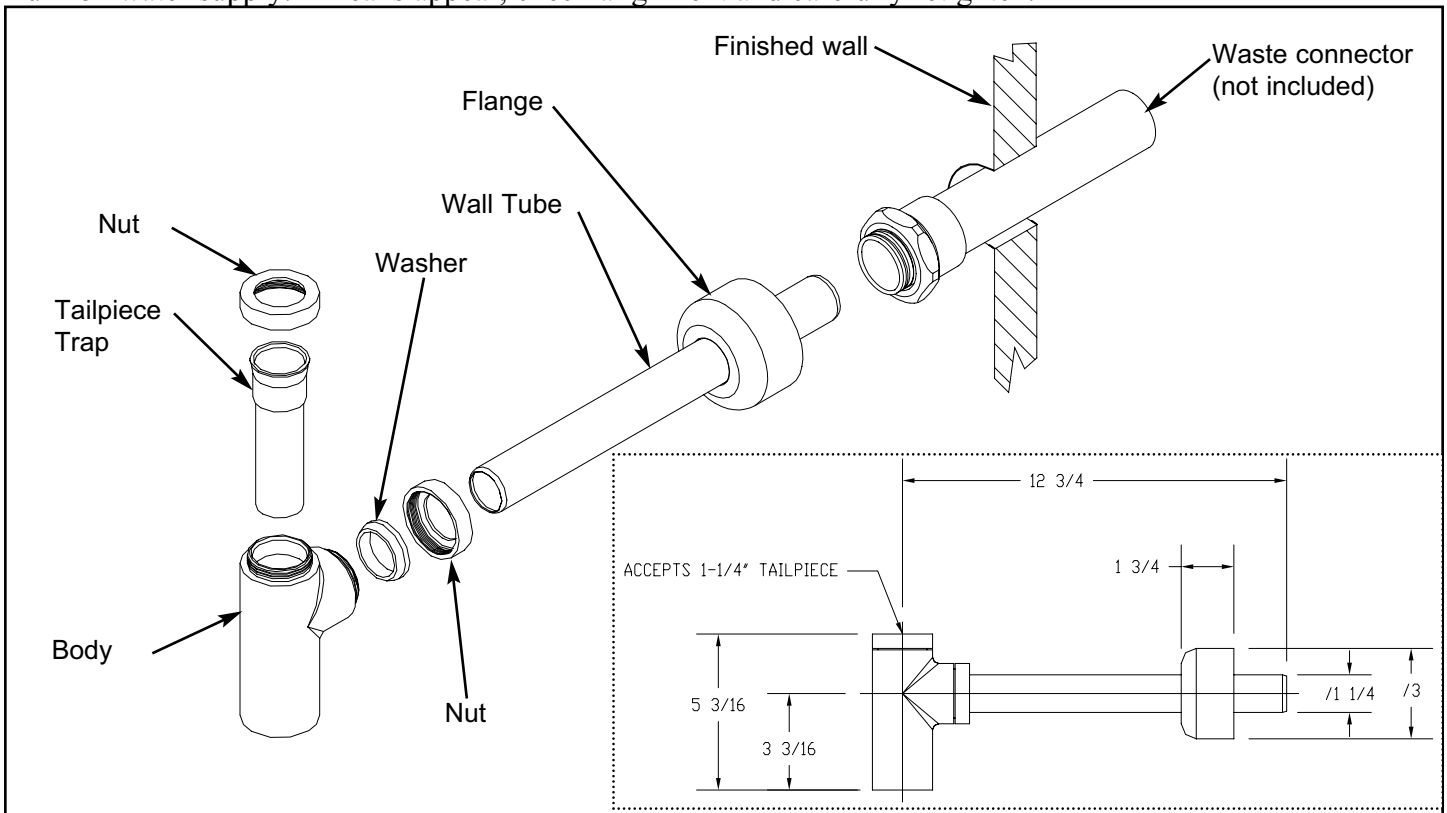
# RESTORATION HARDWARE

Model: RH-3016

These instructions are a guideline for a basic installation

## Recommended Installation by a Professional Plumbing Contractor

- To find proper fit and alignment, loosen the wall bend slip nut and check the fit between tailpiece and waste connection. If necessary, adjust the sink drain tailpiece length to align with waste connection height requirements.
- Disassemble wall tube from body. Slide slip nut and washer onto tailpiece. Loosely hand-tighten body to slip nut & tailpiece for later adjustment.
- Insert wall tube at least  $\frac{1}{2}$ " into waste connection and rotate body for proper alignment and fit onto wall tube. If necessary, trim wall tube length.
- Remove wall tube from waste connection and slide on the flange and waste slip nut.
- Re-insert wall tube into waste connection.
- Insert rubber washer on wall tube & secure to body with slip nut.
- Secure waste slip nut to wall tube.
- Slide flange flush to wall.
- Secure slip nut to tailpiece.
- Turn on water supply. If leaks appear, check alignment and carefully retighten.



Hand tightening all the slide nuts should provide a good seal to joints

**Contents:** (1) 1-1/4" Wall tube, (1) Tailpiece trap, (2) 1-1/4" Slip nuts, (1) 1-1/4" Rubber washer, (1) Bell flange.

**Tools required:** Hacksaw, measuring tape, thread sealant

# INSTALLATION INSTRUCTIONS P-TRAP SUPPLY KIT

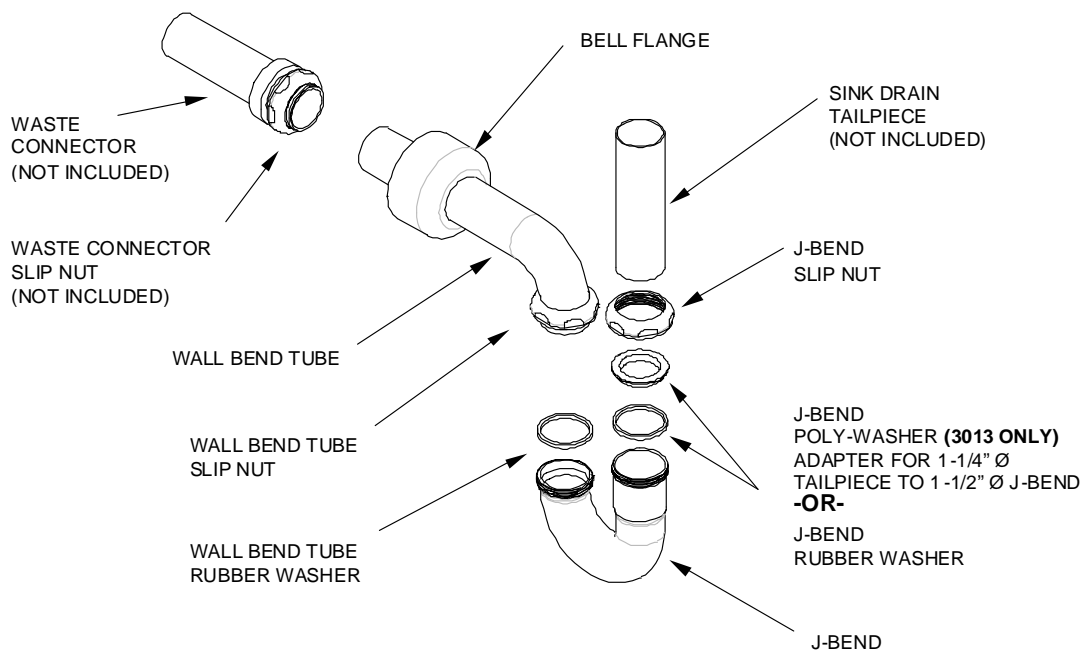
# RESTORATION HARDWARE

Model: RH-3014

These instructions are a guideline for a basic installation

## Recommended Installation by a Professional Plumbing Contractor

- To find proper fit and alignment, loosen the wall bend slip nut and check the fit between tailpiece and waste connection. If necessary, adjust the sink drain tailpiece length to align with waste connection height requirements.
- Disassemble wall bend tube from J-bend. Slide slip nut and appropriate washer onto tailpiece. Loosely hand-tighten J-bend to slip nut & tailpiece for later adjustment.
- Insert wall bend tube at least 1/2" into waste connection and rotate J-bend for proper alignment and fit onto wall bend tube. If necessary, trim wall bend tube length.
- Remove wall bend tube from waste connection and slide on the bell flange and waste slip nut.
- Re-insert wall bend tube into waste connection.
- Insert rubber washer on wall bend & secure wall bend slip nut to J-bend.
- Secure waste slip nut to wall bend.
- Slide bell flange flush to wall.
- Secure slip nut to tailpiece.
- Turn on water supply. If leaks appear, check alignment and carefully retighten.



Hand tightening all the slide nuts should provide a good seal to joints

**Contents:** (1) 1-1/4" J-bend, (1) 1-1/4" Wall bend, (2) 1-1/4" Slip nuts, (2) 1-1/4" Rubber washers, (1) Bell flange.

**Tools required:** Hacksaw, measuring tape

## Care and Cleaning:

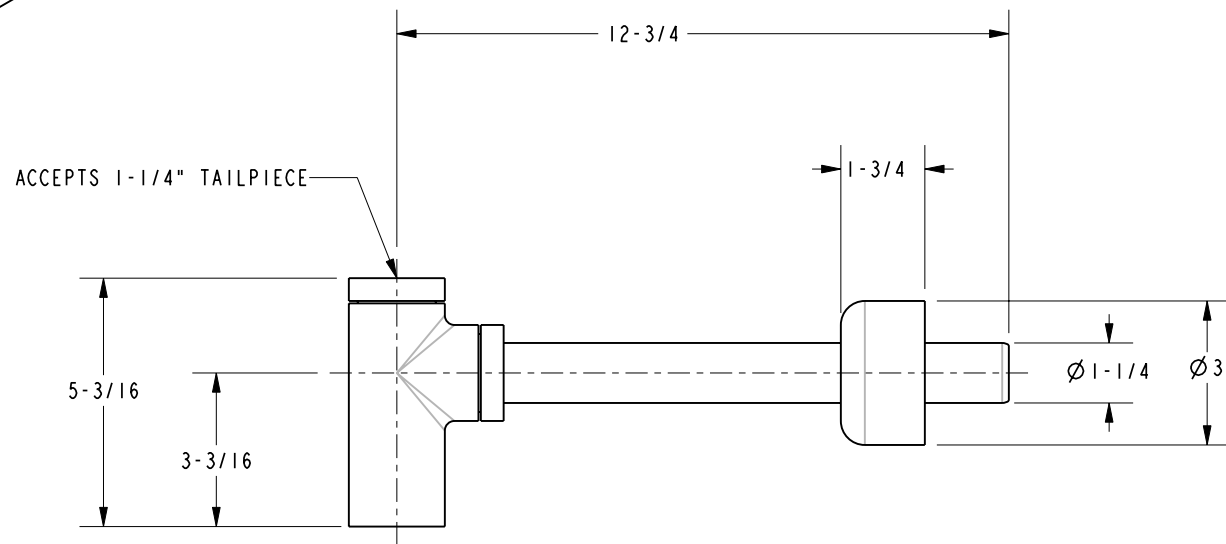
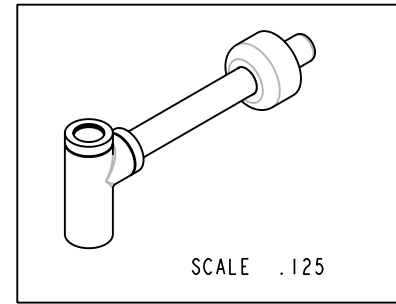
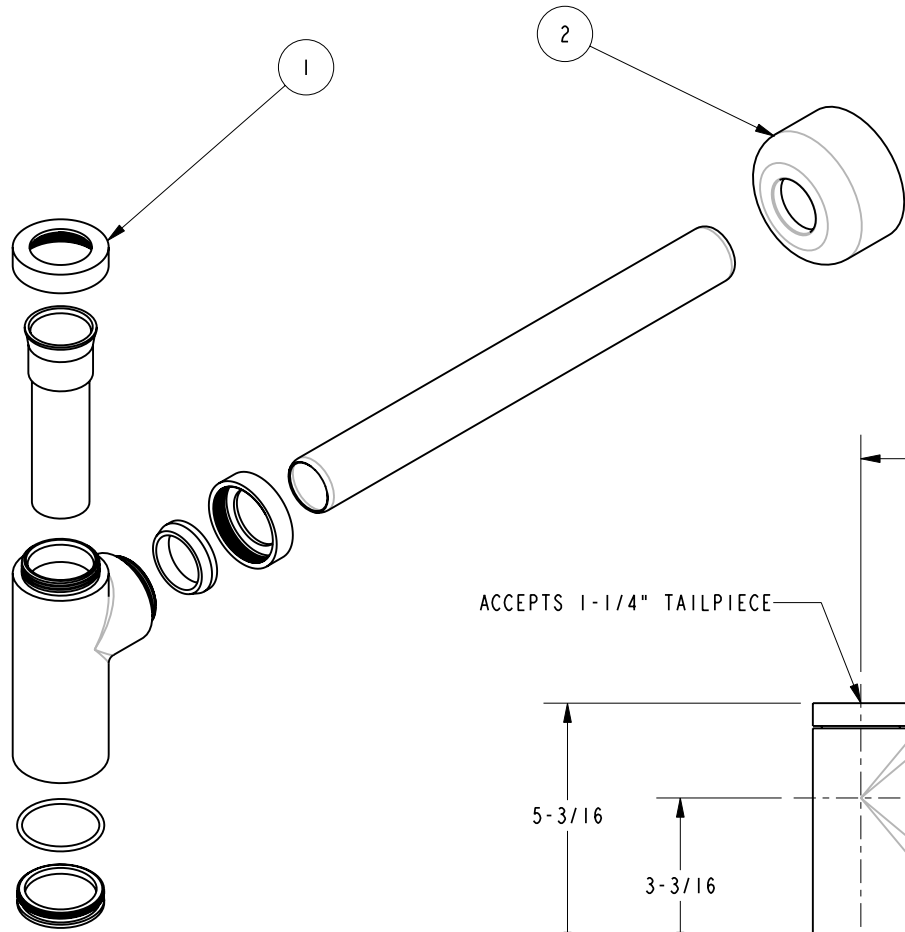
The lustrous finish on your RH Bathware Fitting should be treated with care. Improper handling or cleaning can damage the surface of any metal finish. Use a soft cloth to wipe clean. Avoid harsh abrasive cleaner. Water contains lime and other mineral deposits that will be left on the surface after the water has evaporated. You can prevent these deposits from forming by always wiping the fitting dry immediately after use.

## Technical Support and Customer Service

For technical support in the installation of your RH Bathware Fitting, please call 1-866-417-5207 weekdays between the hours of 7:00 am 4:00 pm, PST.

For other questions regarding your order, to order additional components of the Restoration Hardware Bathware collection, to order replacement parts, or to address warranty issues, please contact Restoration Hardware Customer Service at 1- 877- 747- 4671.

BILL OF MATERIAL (CURRENT LEVEL)				
ITEM	PT/ASSY	DESCRIPTION	TYPE	QTY.
1	301-2	CONTEMPORARY P TRAP, ROUND	ASSEMBLY	1
2	314	BOX FLANGE 1-1/4	PART	1



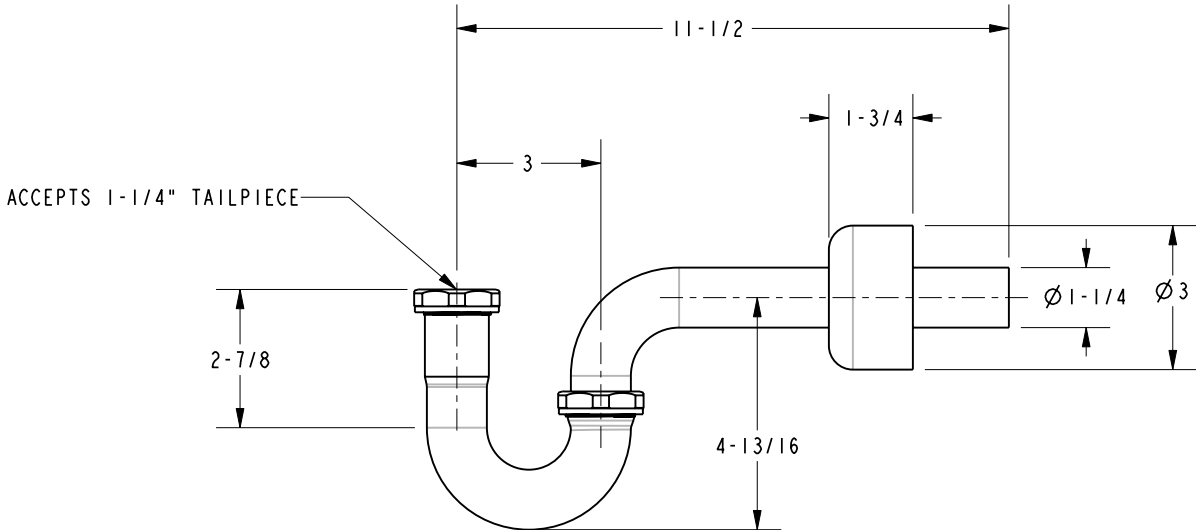
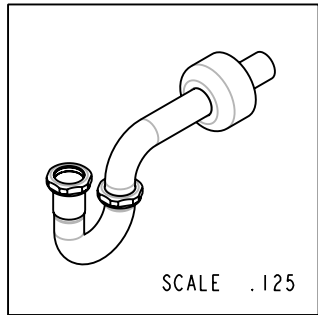
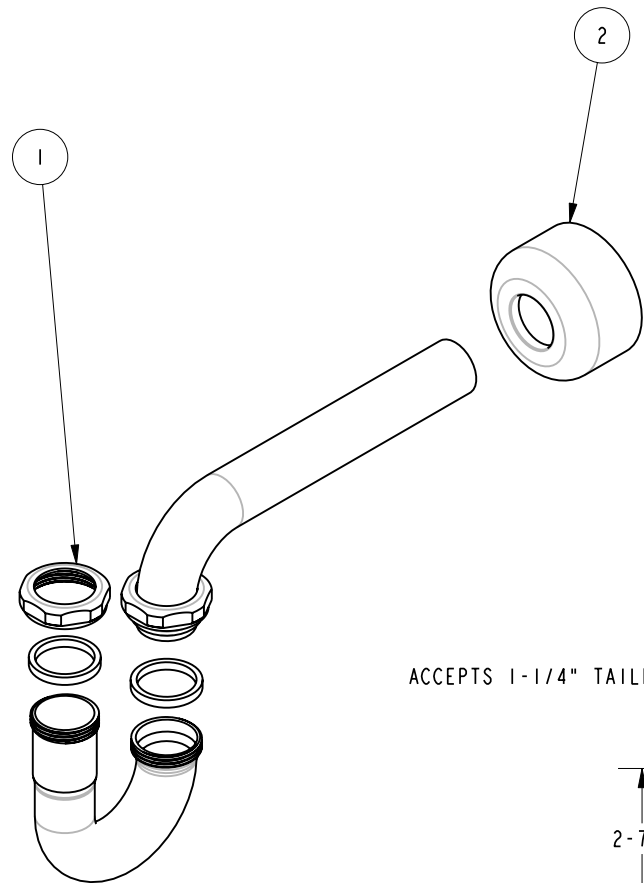
COPYRIGHT 2005 BRASSTECH, INC. THESE DRAWINGS AND THE DESIGNS DEPICTED HEREIN ARE THE PROPRIETARY PROPERTY OF BRASSTECH. ANY USE OR REPRODUCTION IS SUBJECT TO THE EXPRESS APPROVAL OF BRASSTECH. UNAUTHORIZED USE IS STRICTLY PROHIBITED. ALL RIGHTS RESERVED.

**BRASSTECH**  
INCORPORATED  
2001 E. CARNEGIE AVE.  
SANTA ANA, CA 92705  
(949) 417-5207

P-TRAP 1-1/4" CONTP. W/ FLG

ASSY. NO.	RH-3016		-	-	-
SCALE	.250	REF.	-	SHEET	1 OF 1
REV	-	REV DESC	EO-0811	DATE	03/15/07

BILL OF MATERIAL (CURRENT LEVEL)				
ITEM	PT/ASSY	DESCRIPTION	TYPE	QTY.
1	301	P-TRAP 1-1/4 W/O FLANGE	ASSEMBLY	1
2	314	BOX FLANGE 1-1/4	PART	1



COPYRIGHT 2005 BRASSTECH, INC. THESE DRAWINGS AND THE DESIGNS DEPICTED HEREIN ARE THE PROPRIETARY PROPERTY OF BRASSTECH. ANY USE OR REPRODUCTION IS SUBJECT TO THE EXPRESS APPROVAL OF BRASSTECH. UNAUTHORIZED USE IS STRICTLY PROHIBITED. ALL RIGHTS RESERVED.

**BRASSTECH**  
INCORPORATED  
2001 E. CARNEGIE AVE.  
SANTA ANA, CA 92705  
(949) 417-5207

P-TRAP 1-1/4" W/BOX FLG

ASSY. NO.	RH-3014		-	-	-
SCALE	.250	REF.	-	SHEET	1 OF 1
REV	-	REV DESC	EO-0811	DATE	03/15/07

# INSTALLATION INSTRUCTIONS

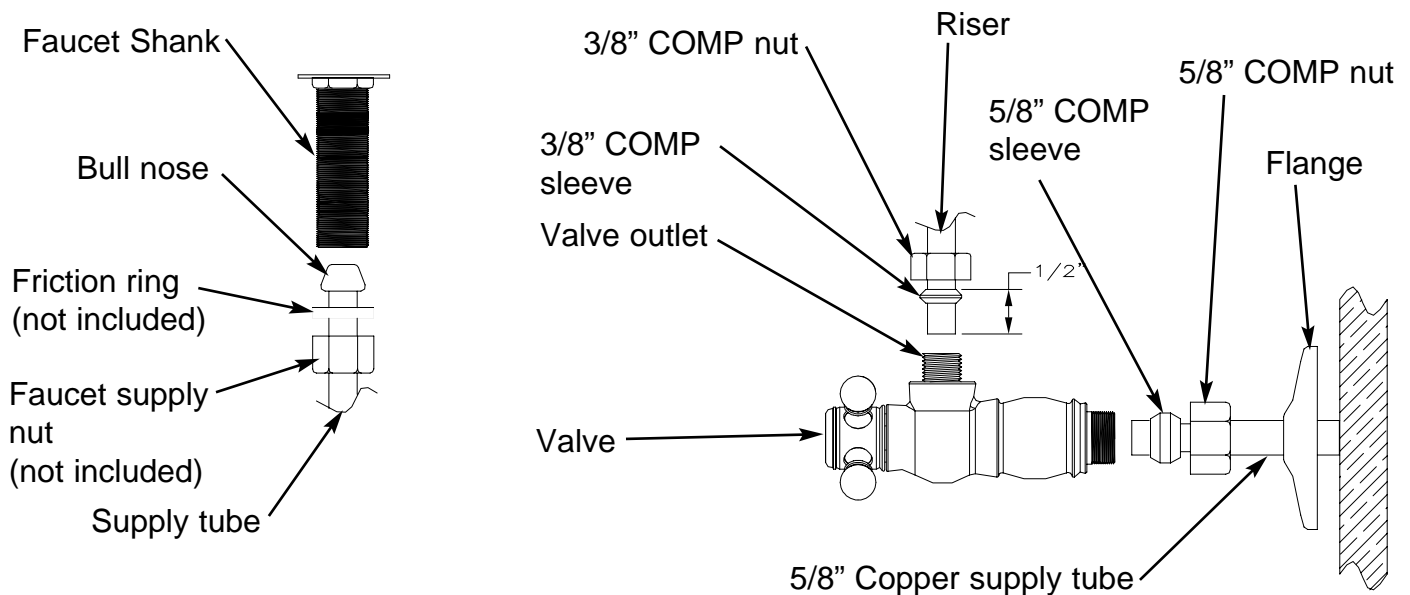
## Lavatory Supply Kit

Models: RH-493-1 and 493X-2  
(for 5/8" O.D. Copper Tube)

# RESTORATION HARDWARE

### Recommended Installation by a Professional Plumbing Contractor

- Turn off water supply & remove old valve.
- Slide flange, 5/8" compression nut and 5/8" compression sleeve onto copper tube.
- Position valve outlet to allow for water supply hookup to faucet.
- Place protective tape around valve and nut to protect the finish.
- Use a wrench to hold valve in place, use a second wrench to tighten nut to valve.
- Remove flare on supply tube inlet by trimming 1/2".
- Check length and alignment of supply tube between faucet shank and valve outlet and modify supply tube as necessary.
- Slide faucet friction nut & supply ring (not included) up to bull nose end of supply tube.
- Tighten supply nut to faucet shank.
- Slide 3/8" compression nut & 3/8" compression ring onto inlet end of supply tube.
- Place protective tape on nut & tighten to valve outlet.
- Turn on water supply. If leaks appear, check alignment and carefully retighten.



Typical installation for contemporary style RH-493-1

#### Important notes for proper seal:

- Supply tube to have straight alignment into faucet shank & valve outlet.
- Any bending of supply tube shall be a minimum of 2" from either end.
- Allow 1/2" excess supply length to slip into valve outlet.
- After cutting, ensure that tube is perfectly round and free of burrs.

**Contents:** (2) Valves, (2) Risers, (2) Compression sleeves, (2) Compression nuts, (2) Flanges

**Tools required:** (2) Adjustable wrenches, tube cutter, tube bender (if needed), protective tape

## Care and Cleaning:

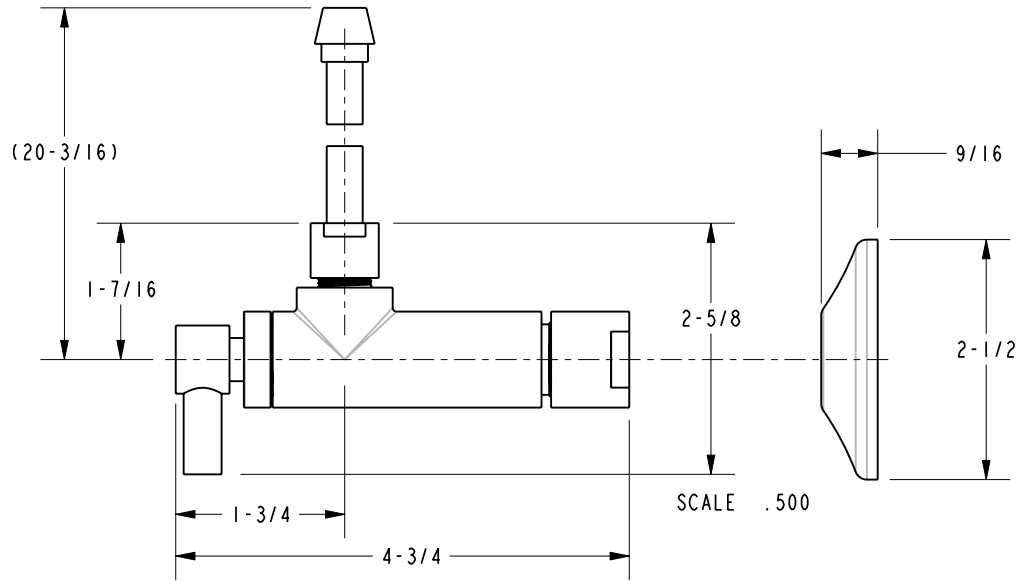
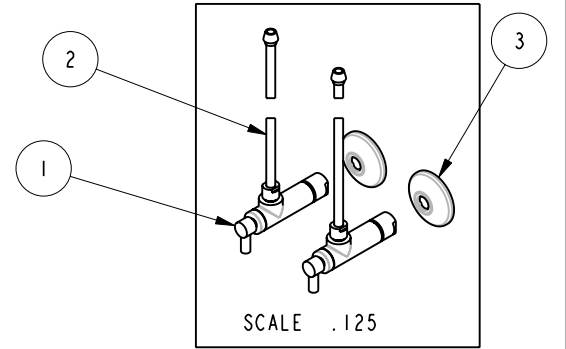
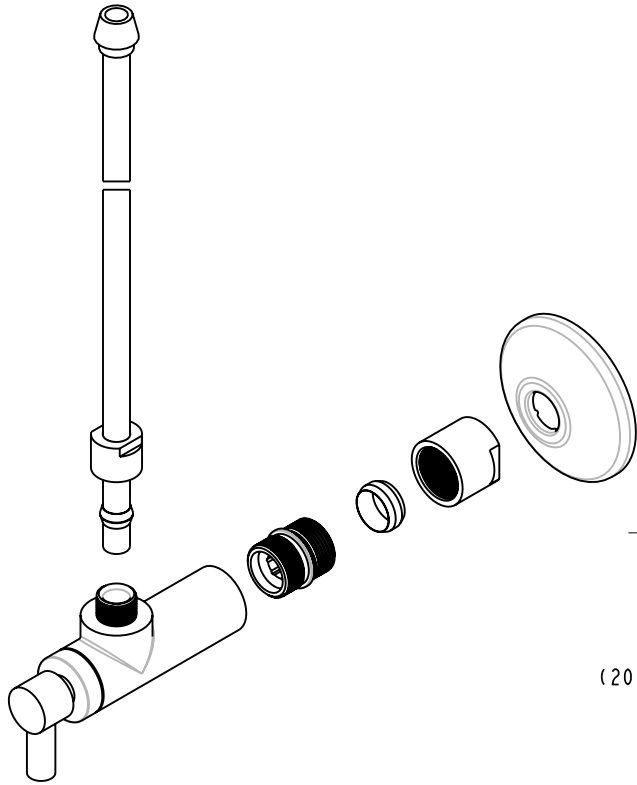
The lustrous finish on your RH Bathware Fitting should be treated with care. Improper handling or cleaning can damage the surface of any metal finish. Use a soft cloth to wipe clean. Avoid harsh abrasive cleaner. Water contains lime and other mineral deposits that will be left on the surface after the water has evaporated. You can prevent these deposits from forming by always wiping the fitting dry immediately after use.

## Technical Support and Customer Service

For technical support in the installation of your RH Bathware Fitting, please call 1-866-417-5207 weekdays between the hours of 7:00 am 4:00 pm, PST.

For other questions regarding your order, to order additional components of the Restoration Hardware Bathware collection, to order replacement parts, or to address warranty issues, please contact Restoration Hardware Customer Service at 1- 877- 747- 4671.

BILL OF MATERIAL (CURRENT LEVEL)				
ITEM	PT/ASSY	DESCRIPTION	TYPE	QTY.
1	403-1	ANGLE VALVE, LEVER HANDLE, ROUND	ASSEMBLY	2
2	432	BULLNOSE TUBE 3/8 X 20	PART	2
3	441	FLANGE FOR 5/8 OD	PART	2



COPYRIGHT 2005 BRASSTECH, INC. THESE DRAWINGS AND THE DESIGNS DEPICTED HEREIN ARE THE PROPRIETARY PROPERTY OF BRASSTECH. ANY USE OR REPRODUCTION IS SUBJECT TO THE EXPRESS APPROVAL OF BRASSTECH. UNAUTHORIZED USE IS STRICTLY PROHIBITED. ALL RIGHTS RESERVED.

**BRASSTECH**  
INCORPORATED  
2001 E. CARNEGIE AVE.  
SANTA ANA, CA 92705  
(949) 417-5207

SUPPLY KIT 1/2 COMP

ASSY. NO.		RH-493-1		-	-	-
SCALE .375	REF. -	SHEET	OF	REV	REV DESC	DATE
					EO-0811	03/16/07



4

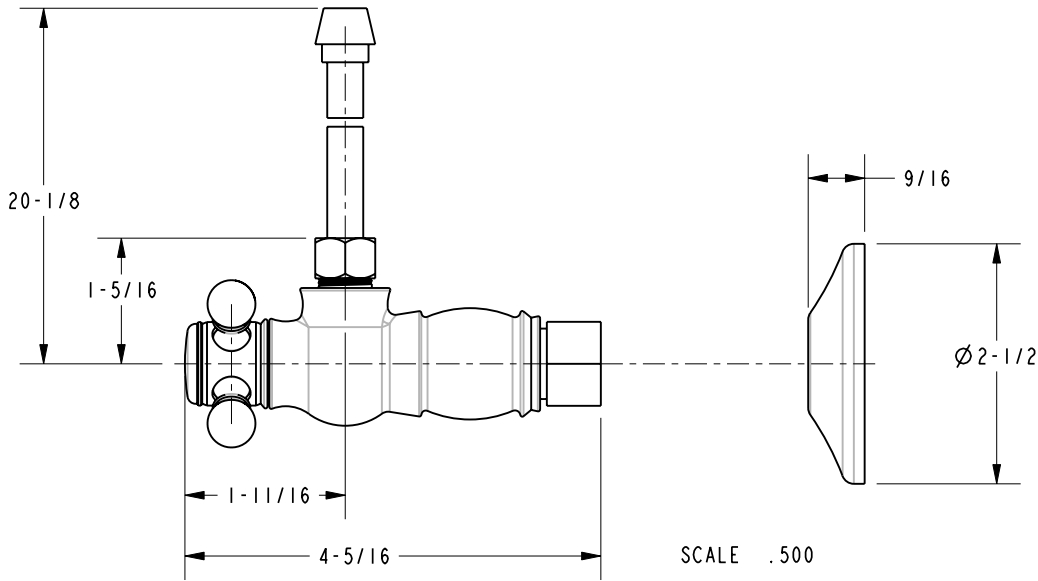
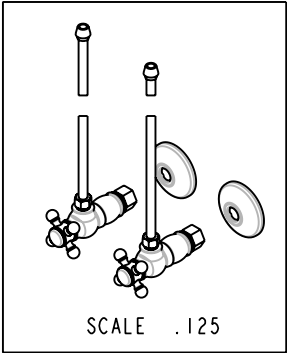
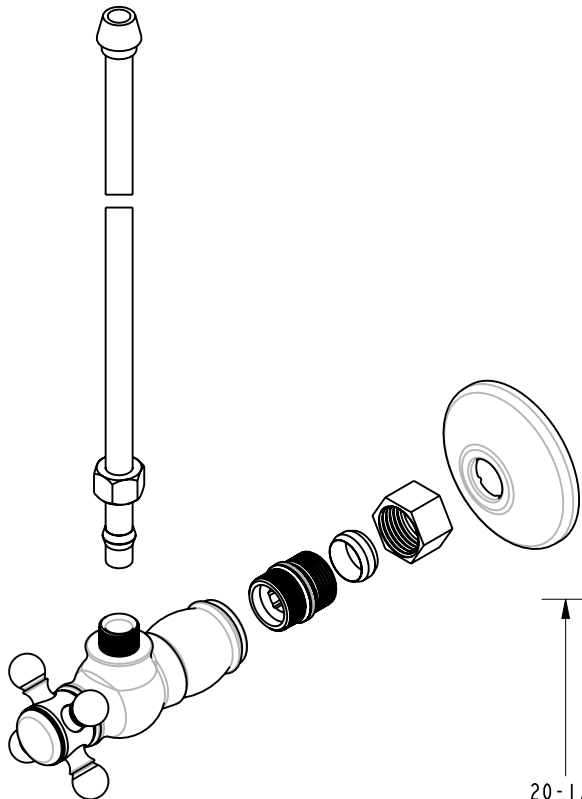
3

2

1

**BILL OF MATERIAL (CURRENT LEVEL)**

ITEM	PT/ASSY	DESCRIPTION	TYPE	QTY.
1	403X-2	ANGLE VALVE, CROSS TRADITIONAL	ASSEMBLY	2
2	432	BULLNOSE TUBE 3/8 X 20	PART	2
3	441	FLANGE FOR 5/8 OD	PART	2



COPYRIGHT 2005 BRASSTECH, INC. THESE DRAWINGS AND THE DESIGNS DEPICTED HEREIN ARE THE PROPRIETARY PROPERTY OF BRASSTECH. ANY USE OR REPRODUCTION IS SUBJECT TO THE EXPRESS APPROVAL OF BRASSTECH. UNAUTHORIZED USE IS STRICTLY PROHIBITED. ALL RIGHTS RESERVED.

**BRASSTECH**  
INCORPORATED

2001 E. CARNEGIE AVE.  
SANTA ANA, CA 92705  
(949) 417-5207

SUPPLY KIT 1/2 COMP

ASSY. NO.		RH-493X-2		-	-	-
SCALE .375	REF. -	SHEET	OF	REV	REV DESC	DATE
					EO-0811	03/16/07

4

3

2

1