

RH

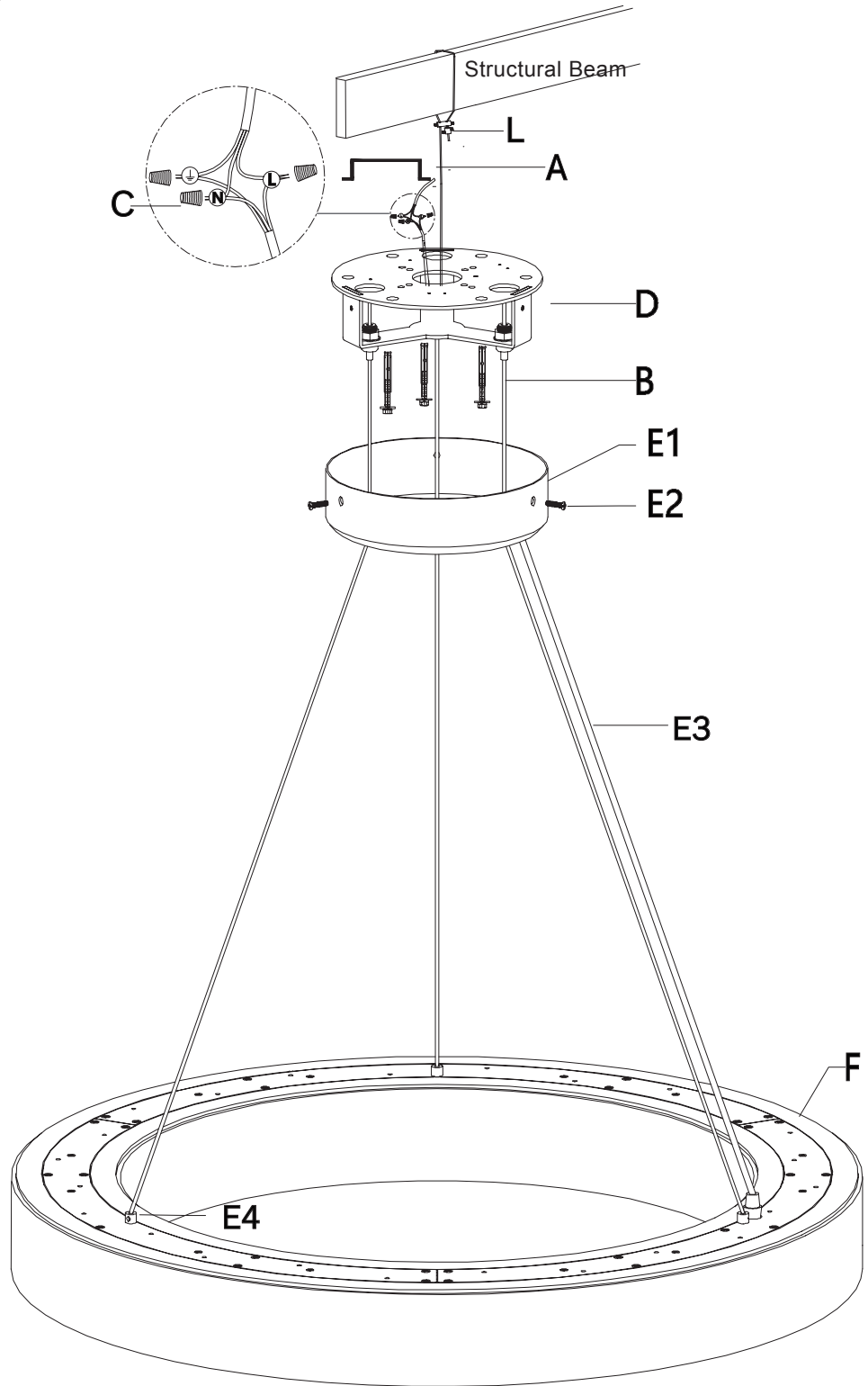
RIVAGE ROUND CHANDELIER 31"

PARTS ENCLOSED

- (A) Junction Box, 22.7kg/50lbs. MIN. FIXTURE RATED (not included)
- (B) Mounting Screws (6; not included)
- (C) Wire Nuts (3)
- (D) Ceiling Plate (1)
- (E1) Ceiling Box (1)
- (E2) Bolts (3)
- (E3) Steel Wire (3)
- (E4) Nut Locker (3)
- (F) Body (1)
- (I1) Small Allen Key (1)
- (I2) Large Allen Key (1)
- (L) Safety Cable (1)

PRODUCT DESCRIPTION

General material: Iron & Calcite
Height: 3.25in (8.3cm)
Diameter: 30.11in (76.5cm)
Weight: 67.24lbs (30.5kg)
Grounded / Hardwired



IMPORTANT PLEASE READ**PROFESSIONAL INSTALLATION REQUIRED
IMPORTANT SAFETY INSTRUCTIONS:**

1. Use an authorized and certified electrician for consultation and installation.
2. This fixture has been rated for 25-watt maximum LED module.
3. To avoid the risk of fire, do not exceed the recommended wattage.
4. The ceiling must have at least the capacity of 5 times the weight of the ceiling light. For this light, at least a ceiling capacity of 336.20lbs (152.5kg) is required.
5. The manufacturer and distributor accept no liability for incorrect installation.
6. For indoor use only.
7. Keep away from children.

WARNINGS:

1. Turn off electricity supply at main circuit panel before installing. Do not connect electricity supply until your light is fully assembled and installed.
2. All wires are connected. Do not remove the ceiling light from its packaging by pulling on the power cord, as a bad connection may result.
3. To reduce the risk of fire, electrical shock, or personal injury, always turn off the ceiling light and allow it to cool prior to replacing lightbulbs. Do not touch bulbs when fixture is turned on or look directly at lightbulbs. Keep flammable materials away from lightbulb.
4. Deviation from instructions may result in a risk of fire or electric shock.

THIS PRODUCT IS NOT A TOY AND HAS NO PLAY VALUE.**ASSEMBLY & INSTRUCTIONS:**

1. Carefully remove all parts from the box and remove all plastic covering.
2. Turn OFF power to junction box where the ceiling light will be installed.
3. Loosen the bolt (E2) from ceiling box (E1) and remove the ceiling plate (D) from the ceiling box (E1).
4. Have a professional contractor reinforce ceiling. Attach the safety cable (L) to ceiling beam through the junction box (A), then attach the safety cable to the fixed fixture on the ceiling with the nut locker.
5. Attach the ceiling plate (D) to the ceiling with mounting screws (B).

6. Connect the ground wire from the fixture to the ground junction box wire (usually the green or bare wire) with a plastic wire nut (C) and wrap the connection with electrical tape. Connect the hot wire to the junction box wire (usually black or smooth) with a plastic wire nut (C) and wrap the connection with electrical tape. Connect the neutral wire to the neutral junction box (usually white or ribbed) with a plastic wire nut (C) and wrap the connection with electrical tape.
7. Fix the ceiling box (E1) to the ceiling plate (D) by fastening the bolt (E2) with large Allen key (I2).
8. Press and loosen the height adjustable the nut locker (E4) of the steel wire to adjust the length of the steel wire (E3) keep the ceiling light fixture down and level.
9. Insert the steel wire into height adjustable wire nut locker (E4) in order to let the ceiling light go up to the suitable height and level.
10. Restore power to the junction box and test ceiling light fixture.
11. Loosen the bolt (E2) from ceiling box (E1) and remove the ceiling plate (D) from the ceiling box (E1).
12. Have a professional contractor reinforce ceiling. Attach the safety cable (L) to ceiling beam through the junction box (A), then attach the safety cable to the fixed fixture on the ceiling with the nut locker.
13. Attach the ceiling plate (D) to the ceiling with mounting screws (B).

CARE INSTRUCTIONS:

1. Make sure that power is turned off and bulbs have cooled before handling.
2. Wipe clean with a dry cloth / mild soapy solution. Do not use corrosive cleaners.
3. The cable / cord of this ceiling light cannot be replaced; if the cable is damaged, do not use the light.

ENVIRONMENT:

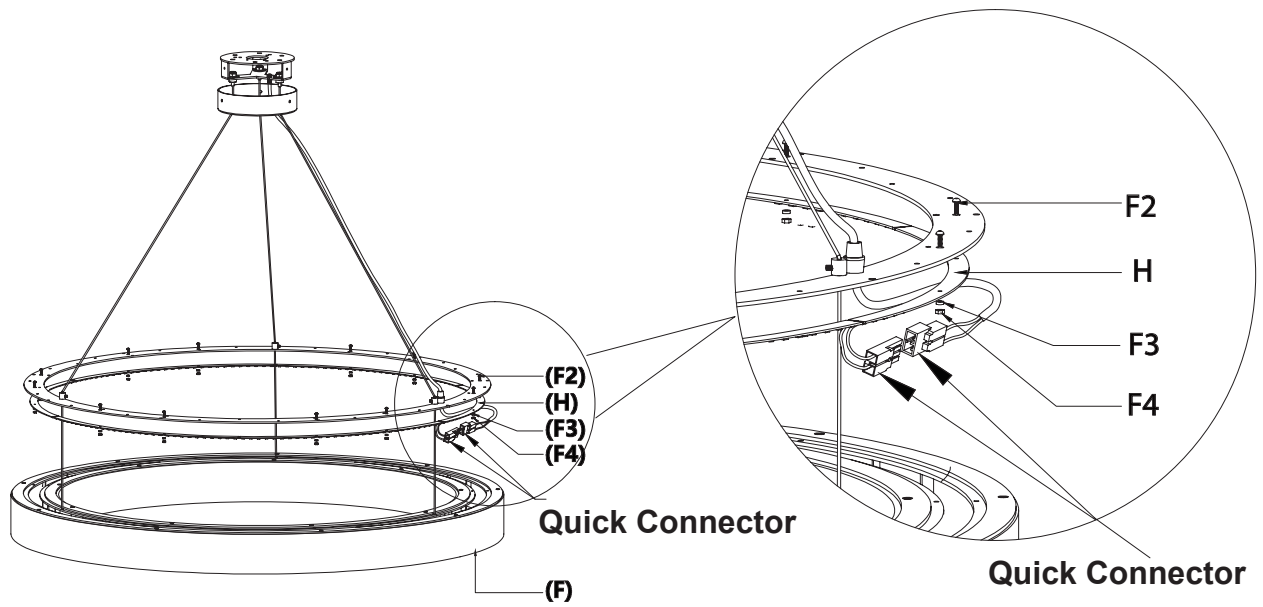
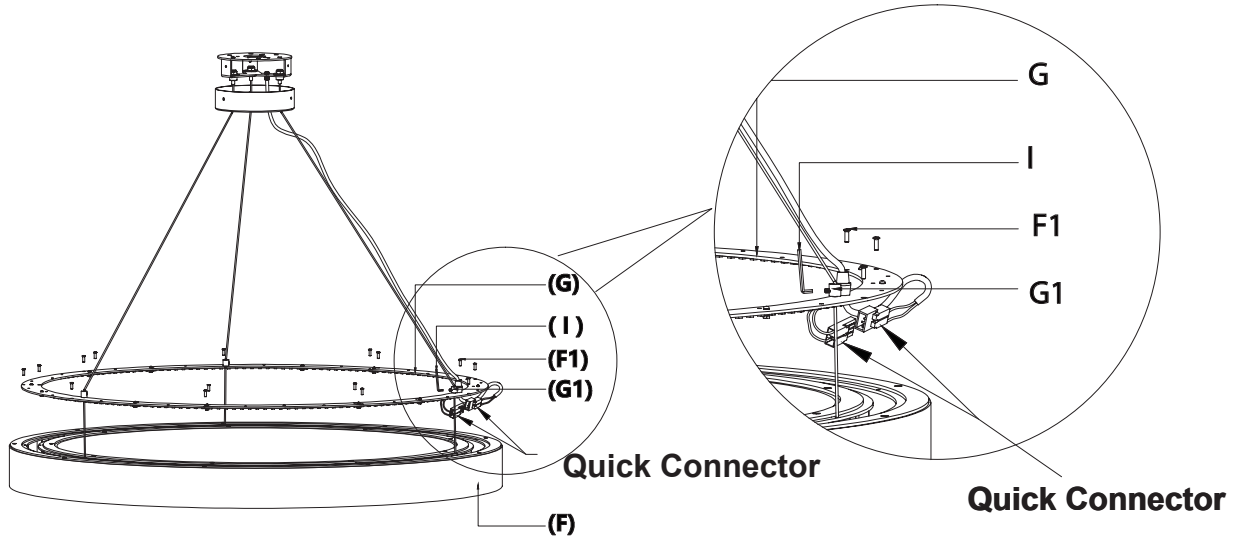
Special waste handling may be required. Please contact your local authorities for more information.

REPLACE THE LIGHTSOURCE:

1. Turn OFF power to junction box where the ceiling light will be replaced the light source.
2. Always prevent the product from scratching when replace the light source.
3. Loosen the screws nut (G1) by small Allen key (I1) and loosen the screws (F1), remove the light source frame (G) from the body (F).
4. Unplug the quick connector and loosen the screw (F2), washer (F3) and nut (F4), then take out the LED module (H).
5. Replace the LED module and attach it onto the body.

RH

RIVAGE ROUND CHANDELIER 31"



CEILING SAFETY CABLE ASSEMBLY

1. Remove the nut locker A & B by loosening the set screw from the ceiling safety cable before installation.
2. Insert the ceiling safety cable through the nut lockers as the drawing shows.
3. Fasten the nut locker A with set screw by small allen key.
4. Fasten the nut locker B with set screw by small allen key.

