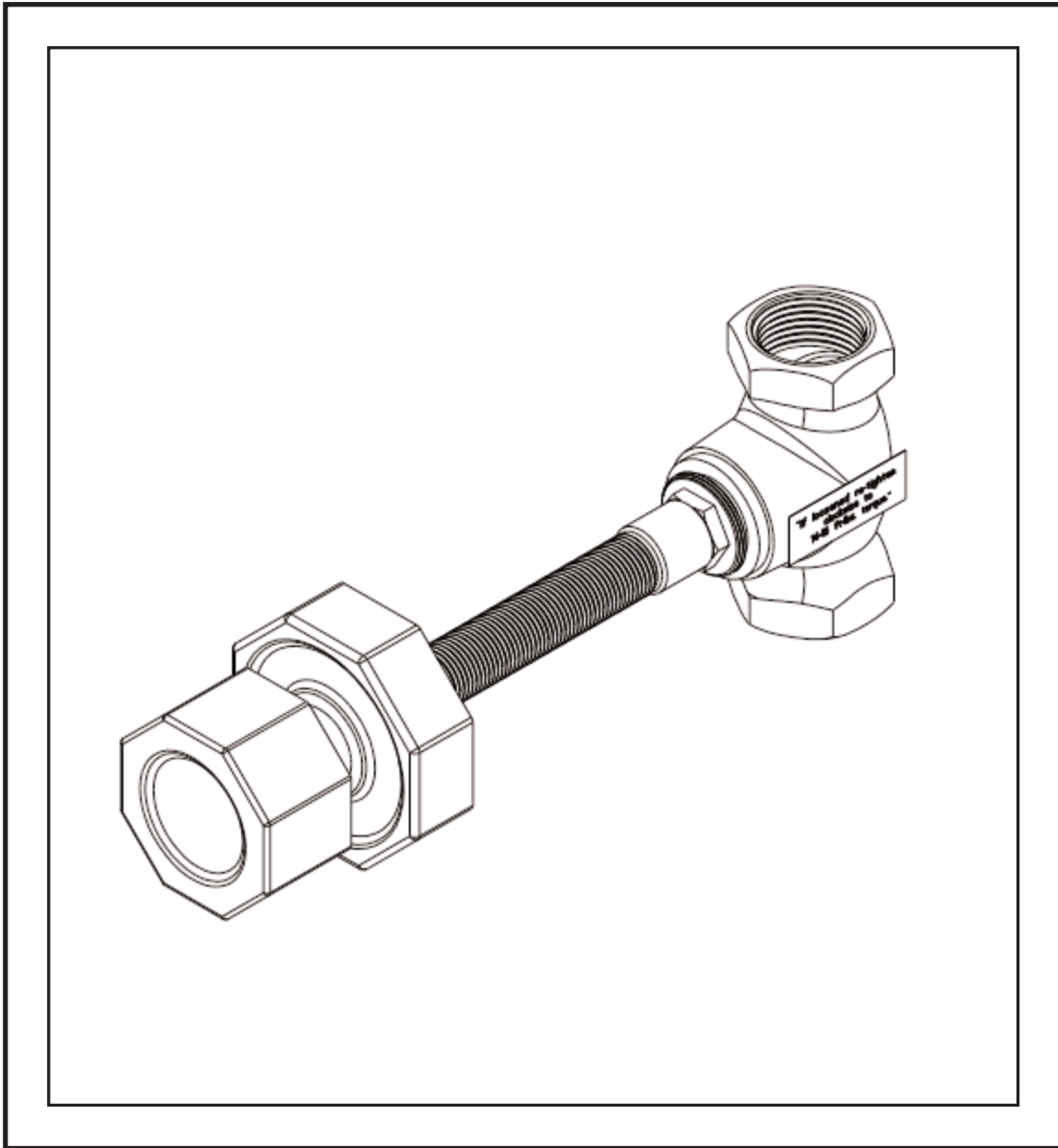


RH

RESTORATION HARDWARE

INSTALLATION INSTRUCTIONS



FLOW CONTROL TRIM & VALVE SET

MODEL: LAMBETH FACETED

10060662 [RH-9045]

Note: This valve is designed to fit in a 2" X 4" stud wall (or thicker) installation. Use stem extension kit #RH-I-384 (sold separately) if valve installed is too far away from finished wall).

Recommended Installation by a Professional Plumbing Contractor

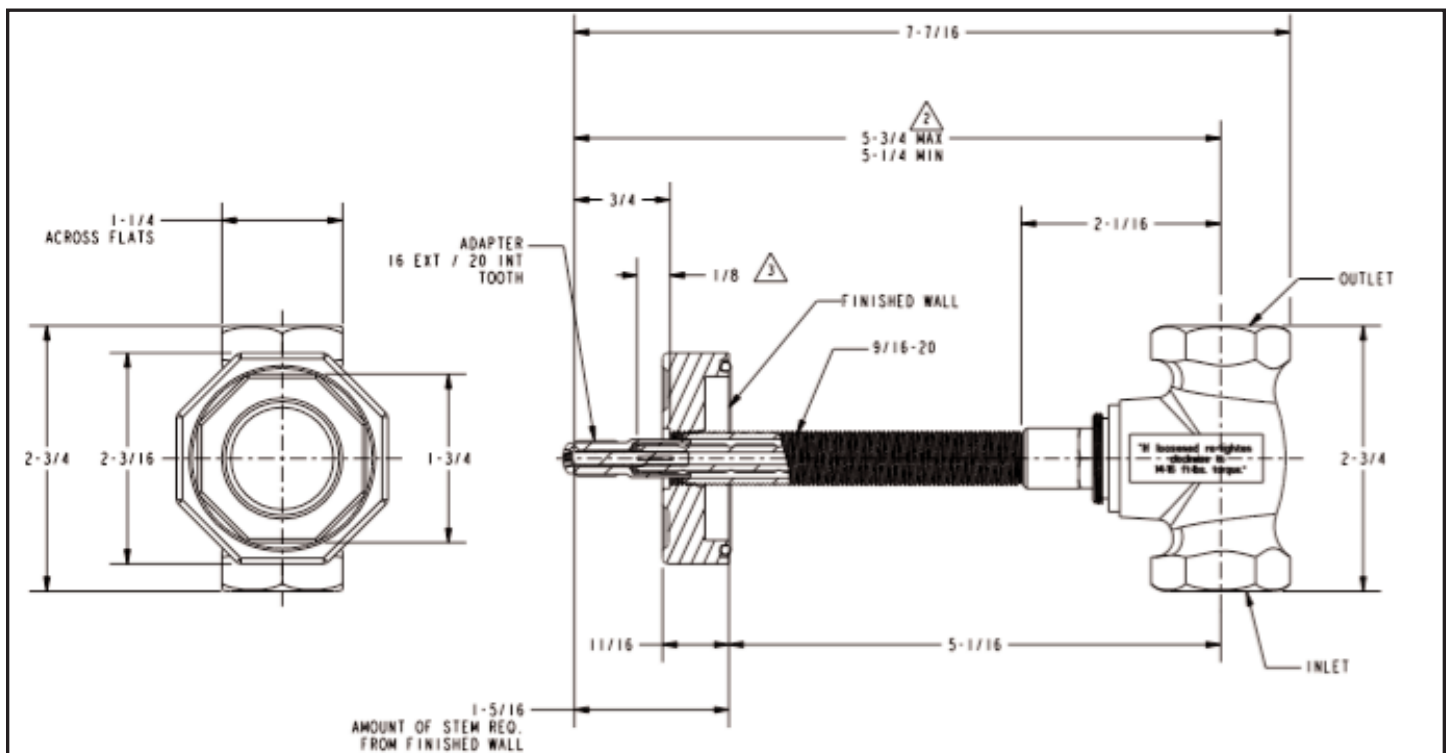
Note: Use plumber's tape or equivalent to seal all threaded port joints.

Warning: To prevent severe damage to valve, any solder/braze process must be performed a min. of 4" from ports. These valves may be used as stop & volume controlling valves between water source and end output device. Typical usage is between thermo valve and multiple output devices (eg. Showerhead, body sprays, handshowers, etc...).

I. Valve Installation

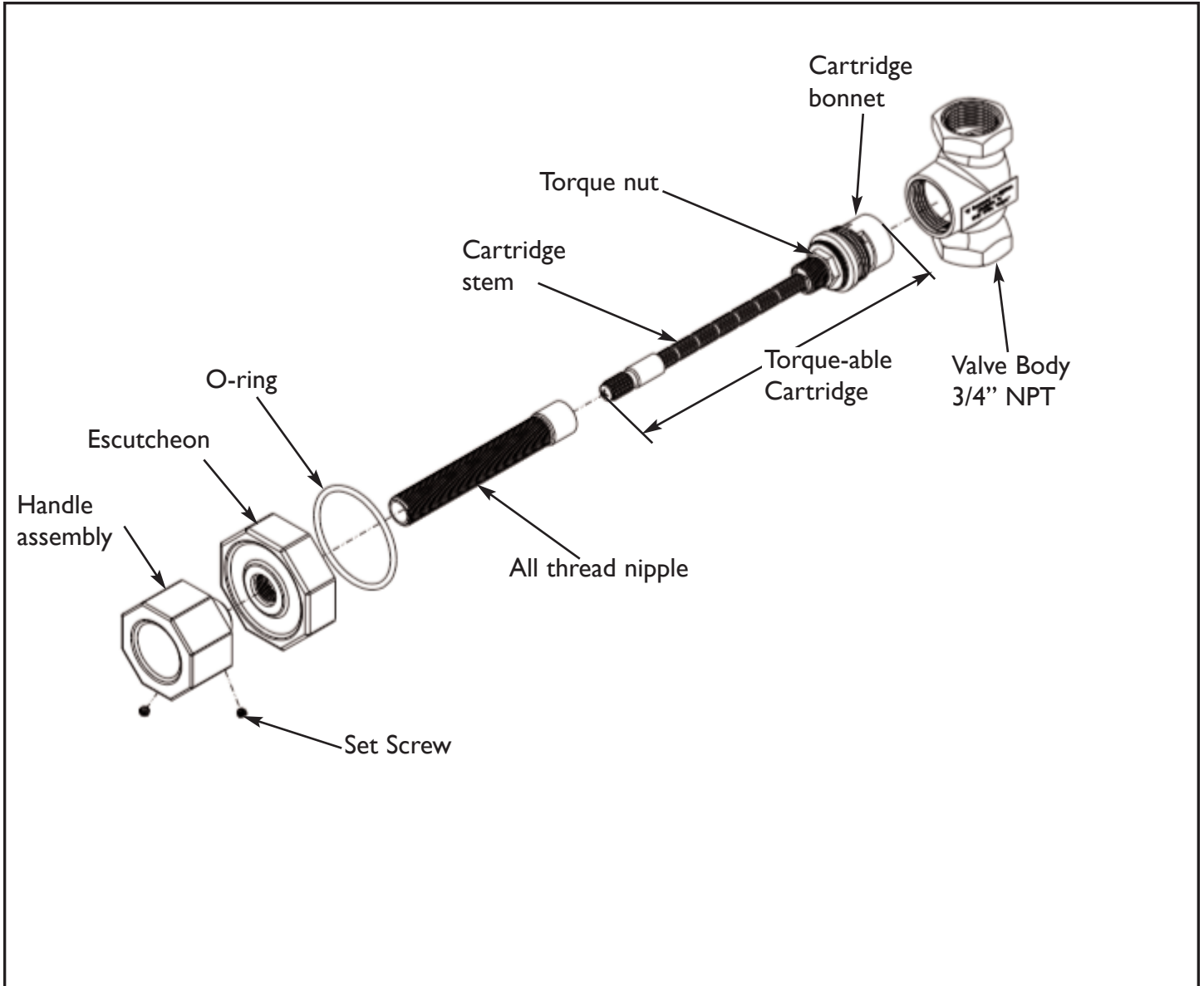
- Attach supply source to inlet of valve. Water flow direction is indicated by "ARROW" on side of body.
- Attach end device to outlet of valve.
- Position valve in wall as shown in fig.1. These dimensions are for typical installations. If thick finished wall materials are to be used in construction, it is recommended to position the valve toward outer face of stud.
- Support valve and/or piping to stud framing using strap tape or equivalent.
- Adjust stiffness of stem rotation by tightening or loosening torque nut. (Removal of torque nut from cartridge's bonnet may cause damage to cartridge packing and ceramic disks.)
- Check stiffness by placing lever handle in horizontal position onto cartridge stem. Handle should not rotate under its own weight.
Note: To achieve desired handle alignment, the cartridge MUST be tightened in clockwise rotation only. If the cartridge is loosened to align handle, cartridge may unscrew from valve body and cause extensive water damage.
- Turn on water supply and inspect for leaks.

Fig:1



2. Trim Installation

- Perform these steps after finished wall has been completed.
- The stem must be trimmed to 1-5/16" from finished wall.
- The nipple must be trimmed 1/8" shorter than stem.
- Tighten the escutcheon with O-ring onto nipple and secure handle into place by first engaging the stem, then tighten Set Screw. Adjustments for rotational alignment can be made by changing the position of stem on cartridge.



Care and Cleaning

The lustrous finish on your Restoration Hardware Bathware fixture should be treated with care. Improper handling or cleaning can damage the surface of any metal finish. Use a soft cloth to wipe clean. Avoid harsh abrasive cleaner. Water contains lime and other mineral deposits that will be left on the surface after the water has evaporated. You can prevent these deposits from forming by always wiping the fixture dry immediately after use.

Technical Support and Customer Service

For technical support in the installation of your Restoration Hardware Bathware fixture, please call 1-866-417-5207 weekdays between the hours of 7:00am and 4:00pm PST.

For other questions regarding your order, to order additional components of the Restoration Hardware Bathware Collection, to order replacement parts, or to address warranty issues, please contact Restoration Hardware Customer Service at 1-877-747-4671.