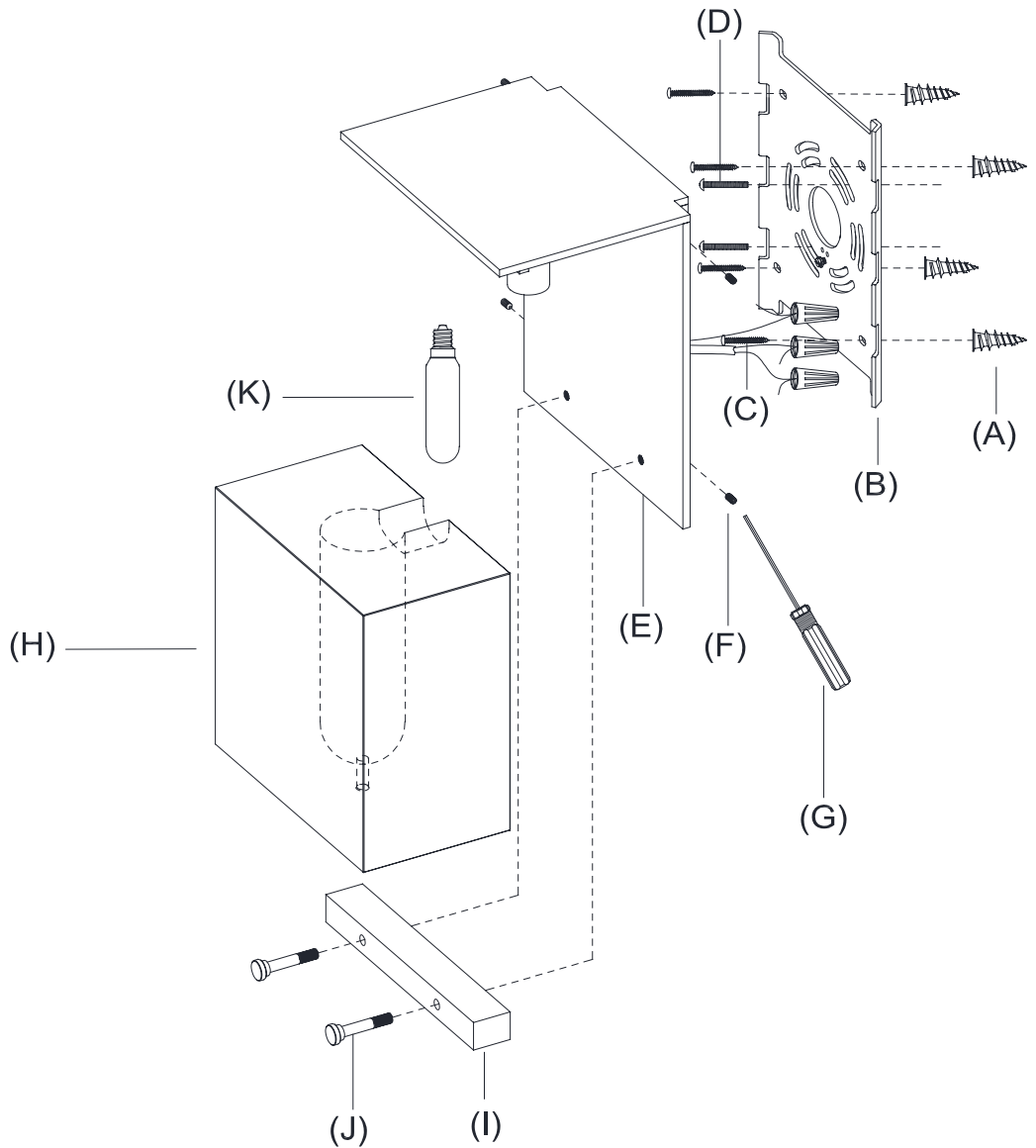


RH

SAVILE CUBE SCONCE

PARTS ENCLOSED

- (A) Metal Anchors (4)
- (B) Mounting Plate (1)
- (C) Wood Screws (4)
- (D) Mounting Screws (2)
- (E) Fixture Base (1)
- (F) Set Screws (4)
- (G) Screwdriver (1)
- (H) Crystal Shade (1)
- (I) Bracket (1)
- (J) Thumbscrews (2)
- (K) Bulb (1)



IMPORTANT SAFETY INSTRUCTIONS

INSTALLATION BY A LICENSED ELECTRICIAN IS STRONGLY RECOMMENDED.

This fixture has been rated for one (1) 25-watt Type T lightbulb (included) or one (1) 9-watt compact fluorescent lightbulb (not included). To avoid the risk of fire, do not exceed the recommended wattage.

WARNINGS

All wires are connected. When unpacking, be careful not to pull wires, as a bad connection may result. Do not connect electricity until your fixture is fully assembled. To reduce the risk of fire, electrical shock, or personal injury, always turn off fixture and allow it to cool prior to replacing the lightbulb. Do not touch or look directly at the bulb when fixture is illuminated. Keep flammable materials away from lit bulb.



WARNING: This product can expose you to lead, which is known to the State of California to cause cancer and birth defects or other reproductive harm. For more information, go to www.P65Warnings.ca.gov.

THIS PRODUCT IS NOT A TOY AND HAS NO PLAY VALUE.



WARNING: STRANGULATION HAZARD

Keep cord at least 3 feet away from cribs, bassinets, and toddler beds. Keep out of reach of children under 3 years of age.

OUTDOOR INSTALLATION

1. Fixture must be mounted 4 feet from the ground.
2. Use silicone caulk to seal the fixture where the mounting plate meets the surface to prevent water from seeping in.

ASSEMBLY & INSTALLATION

SHUT OFF THE MAIN ELECTRICAL SUPPLY FROM THE FUSE BOX OR CIRCUIT BREAKER PANEL.

1. Carefully remove all parts from the box and remove all plastic coverings.
2. Remove Mounting Plate (B) from Fixture Base (E) by unscrewing Set Screws (F) using Screwdriver (G).
3. Place Mounting Plate (B) on the desired location on the wall. Mark center point locations for eight hanging holes with a pencil. Remove Mounting Plate (B).
4. Drill small holes on each point location on the wall, each hole should be large enough to accommodate Metal Anchors (A). Push Metal Anchors (A) into the holes on the wall.
5. Attach Mounting Plate (B) to the wall outlet box by aligning the holes and secure by inserting Wood Screws (C) into Metal Anchors (A) and Mounting Screws (D) into the wall outlet box.
6. Attach the fixture ground wire (green) to the ground wire from the outlet box (usually green) with a metal wire connector and wrap the connection with electrical tape.
7. Connect the hot wire (black) to the hot outlet box wire (usually black) with a plastic wire connector and wrap the connection with electrical tape.
8. Connect the neutral wire (white) to the neutral outlet wire (usually white) with a plastic wire connector and wrap the connection with electrical tape.
9. Attach Fixture Base (E) to the affixed Mounting Plate (B) and secure with Set Screws (F) using Screwdriver (G).
10. Insert Bulb (K) into the socket.
11. Remove Bracket (I) from Fixture Base (E) by unscrewing Thumbscrews (J). Install Crystal Shade (H) to Fixture Base (E) and secure with Bracket (I) and Thumbscrews (J).
12. Restore power to outlet box and check operation of fixture.
13. Assembly is complete.

CARE INSTRUCTIONS

Do not use polishes or cleaners on the fixture. Wipe clean with a soft, dry cloth.