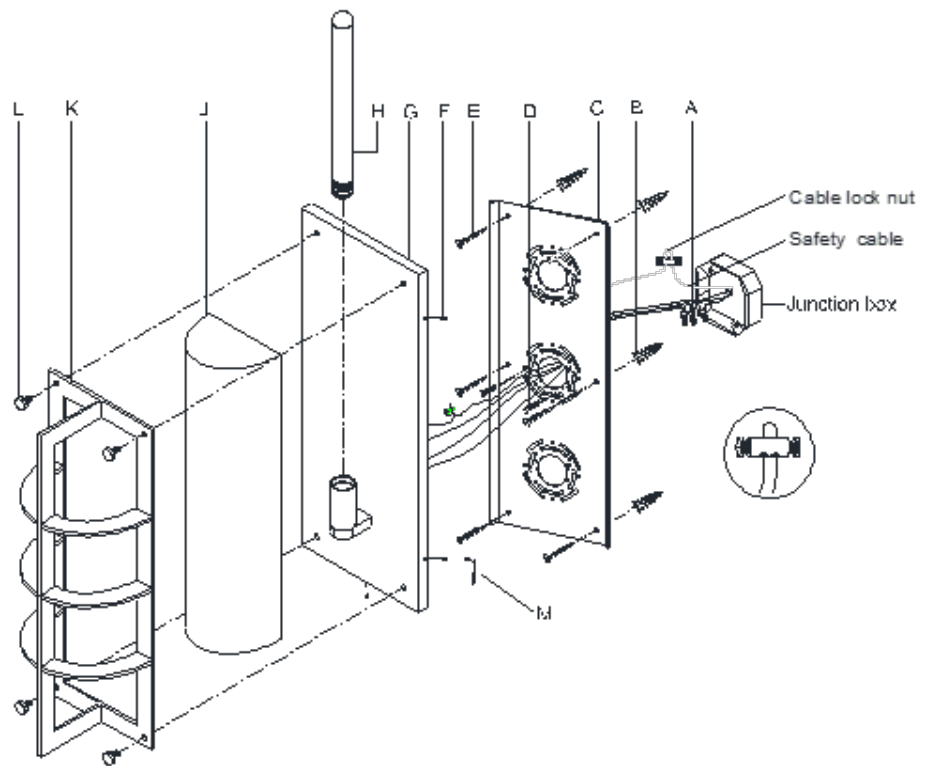


PARTS ENCLOSED

- (A) Wire Nuts (3)
- (B) Metal Anchors (6)
- (C) Mounting Plate (1)
- (D) Mounting Screws (2)
- (E) Wall Screws (6)
- (F) Side Screws (4)
- (G) Back Plate (1)
- (H) Bulb (1)
- (J) Crystal Shade (1)
- (K) Outer Frame (1)
- (L) Thumbscrews (4)
- (M) Hex Wrench (1)



IMPORTANT SAFETY INSTRUCTIONS

INSTALLATION BY A LICENSED ELECTRICIAN IS STRONGLY RECOMMENDED.

This fixture has been rated for up to one (1) 40-Watt Maximum E26 type T standard incandescent lightbulb (included), one (1) 9-Watt compact fluorescent lightbulb (not included), or one (1) 5-Watt LED lightbulb (not included). To avoid the risk of fire, do not exceed the recommended wattage.

OUTDOOR INSTALLATION

Fixture must be mounted 4 feet from the ground. Use silicone caulk to seal the fixture where the mounting plate meets the surface to prevent water from seeping in.

WARNINGS

All wires are connected. When unpacking, be careful not to pull wires, as a bad connection may result. Do not connect electricity until your fixture is fully assembled. To reduce the risk of fire, electrical shock, or personal injury, always turn off fixture and allow it to cool prior to replacing the lightbulb. Do not touch or look directly at the bulb when fixture is illuminated. Keep flammable materials away from lit bulb.



WARNING: This product can expose you to lead, which is known to the State of California to cause cancer and birth defects or other reproductive harm. For more information, go to www.P65Warnings.ca.gov.

THIS PRODUCT IS NOT A TOY AND HAS NO PLAY VALUE.



WARNING: STRANGULATION HAZARD

Keep cord at least 3 feet away from cribs, bassinets, and toddler beds. Keep out of reach of children under 3 years of age.

ASSEMBLY & INSTALLATION

SHUT OFF THE MAIN ELECTRICAL SUPPLY FROM THE FUSE BOX OR CIRCUIT BREAKER PANEL.

1. Carefully remove all parts from the box and remove all plastic coverings.

ASSEMBLY & INSTALLATION CONT.

2. Remove the Mounting Plate (C) from Back Plate (G) by loosening
3. Side Screws (F) using Hex Wrench (M).
4. Drill 6 holes on the wall and make sure the hole distance will match to the Mounting Plate (C) holes.
5. Insert the Metal Anchors (B) to the wall holes.
6. Affix Mounting Plate (C) onto the outlet box and secure with
7. Mounting Screws (D), then lock the Metal Anchors (B) with Wall Screws (E).
8. Join the fixture safety cable with the safety cable from the wall.
9. Wrap both safety cables around the cable lock nut.
10. Insert screws into both holes on cable lock nut and secure screws with screwdriver.
11. Push the cable lock nut into the ceiling box.
12. Connect the hot wire (black) from the fixture to the hot wire from the outlet box (usually black). Fasten them together with a
13. Wire Nut (A) provided and wrap the connection with electrical tape.
14. Connect the neutral wire (white) from the fixture to the neutral wire from the outlet box (usually white). **DO NOT REVERSE THE HOT AND NEUTRAL CONNECTIONS OR SAFETY WILL BE COMPROMISED.**
15. Connect the ground wire (bare copper) from the fixture to the ground wire from the outlet box (usually green or copper in color). **IT IS IMPERATIVE THAT THIS FIXTURE BE GROUNDED.**
16. Attach Back Plate (G) to the Mounting Plate (C), then secure with
17. Side Screws (F) using the Hex Wrench (M).
18. Loosen Thumbscrews (L) from Outer Frame (K) on the Back Plate (G), then insert Bulb (H) into the socket.
19. Place Crystal Shade (J) in Outer Frame (K). Lock Outer Frame (K) together with Crystal Shade (J) on Back Plate (G) using Thumbscrews (L).
20. Installation is complete. Turn on power at fuse or circuit breaker.

CARE INSTRUCTIONS

Do not use polishes or cleaners on your lamp. Just wipe clean with a soft cloth.