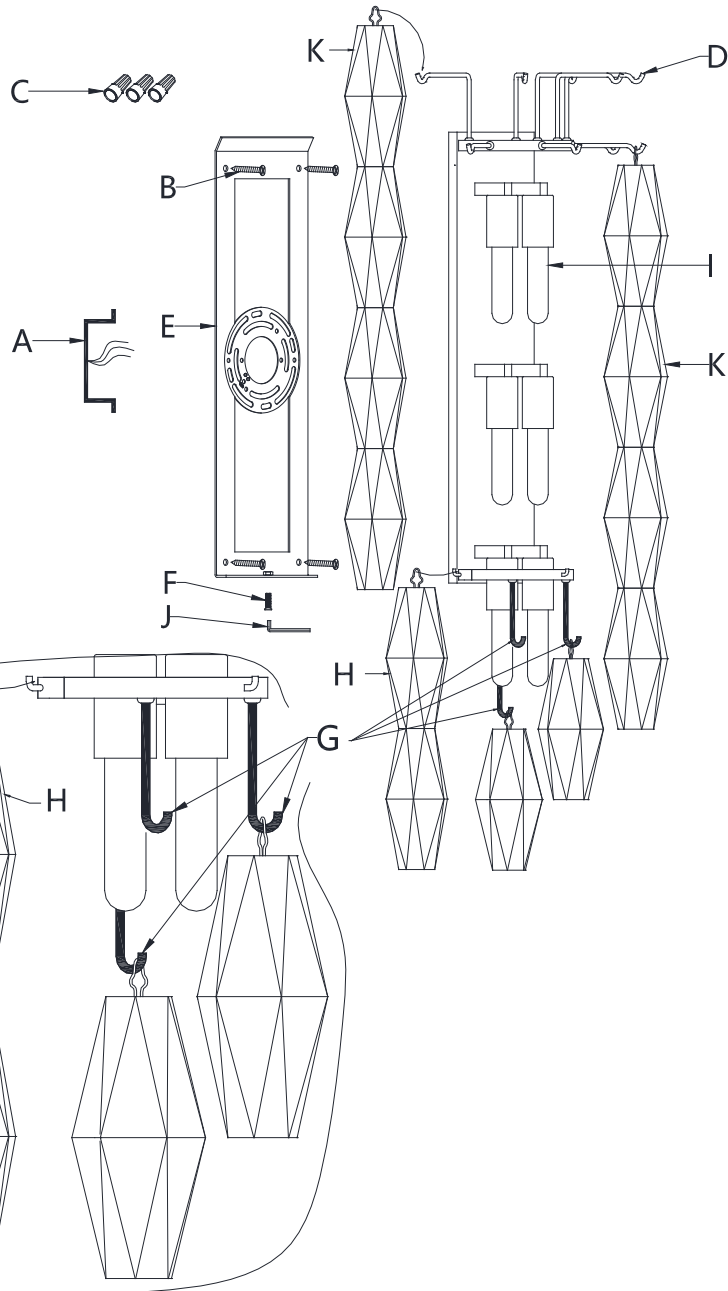


# RH

## CHIARA GRAND SCONCE 31IN

### PARTS ENCLOSED

- (A) Junction Box (Not included) 22.7kg/50lbs. MIN. FIXTURE RATED
- (B) Mounting Screws (Not included. 1 Set)
- (C) Wire Nut (3)
- (D) Body (1)
- (E) Wall plate (1)
- (F) Screw (1)
- (G) Glass Bottle (3+2 Extra)
- (H) Glass Bottle (3)
- (I) Bulb (6+2 Extra)
- (J) Allen key (1)
- (K) Glass Bottle (9)



### PRODUCT DESCRIPTION:


General material: Glass & Iron  
Height:76.9cm (30.25in)  
Width:30.5cm (12.0in)  
Depth:19.8cm (7.75in)  
Weight:15.7kg (34.6lbs)

**IMPORTANT PLEASE READ****WE RECOMMEND INSTALLATION BY A LICENSED ELECTRICIAN.****SAFETY INSTRUCTIONS:**

1. Use an authorized and certified electrician for consultation and installation.
2. This fixture has been rated for (6) x25 Watt maximum bulbs.
3. To avoid the risk of fire, do not exceed the recommended wattage.
4. The wall must have at least the capacity of 5 times the weight of the wall light. For this light, at least a wall capacity of 78.5 kg (173lbs) is required.
5. The manufacturer and distributor accept no liability for incorrect installation.
6. For indoor use only.
7. Keep away from children.

**WARNINGS:**

1. Turn off electricity supply at main circuit panel before installing. Do not connect electricity supply until your wall light is fully assembled and installed.
2. All wires are connected, Do not remove the wall light from its packaging by pulling on the power cord, as a bad connection may result.
3. To reduce the risk of fire, electrical shock, or personal injury, always turn off the wall light and allow it to cool prior to replacing lightbulb. Do not touch bulb when fixture is turned on or look directly at lightbulb. Keep flammable materials away from lightbulb.
4. Deviation from instructions may result in a risk of fire or electric shock.

 **WARNING:** This product can expose you to lead, which is known to the State of California to cause cancer and birth defects or other reproductive harm. For more information, go to [www.P65Warnings.ca.gov](http://www.P65Warnings.ca.gov).

**THIS IS NOT A TOY AND THE PRODUCT HAS NO PLAY VALUE.**

 **WARNING: STRANGULATION HAZARD**

Keep cord at least 3 ft away from cribs, bassinets, and toddler beds. Keep out of reach of children under 3.

**ASSEMBLY & INSTALLATION:**

1. Carefully remove all parts from the box and remove all plastic covering.
2. Turn OFF power to the junction box where the wall light will be installed.
3. Loosen the screw (F) from body (D) and remove wall plate (E).
4. Attach the wall plate (E) to the wall with mounting screws (B).
5. Attach the body (D) to the wall plate (E) with screw (F).
6. Connect the ground wire from the fixture to the ground junction box wire (usually the green or bare wire) and wrap the connection with electrical tape. Connect the hot wire to the junction box wire (usually black or smooth) with a plastic wire nut (C) and wrap the connection with electrical tape. Connect the neutral wire to the neutral junction box wire (usually white or ribbed) with a plastic wire nut (C) and wrap the connection with electrical tape.
7. Fasten lightbulbs (I) to lampholders.
8. Hang the glass bottle (G), (H) and (K) on the body (D) from the bottom to up, please refer to the drawing in the first page.
9. Restore power to the junction box and test wall light fixture.

**CARE INSTRUCTIONS:**

1. Make sure that the power is turned off and bulb has cooled before handling.
2. Wipe clean with a dry cloth / mild soapy solution. Do not use corrosive cleaners.
3. The cable / cord of this ceiling light cannot be replaced; if the cable is damaged, do not use the light.

**ENVIRONMENT:**

Special waste handling may be required. Please contact your local authorities for more information.