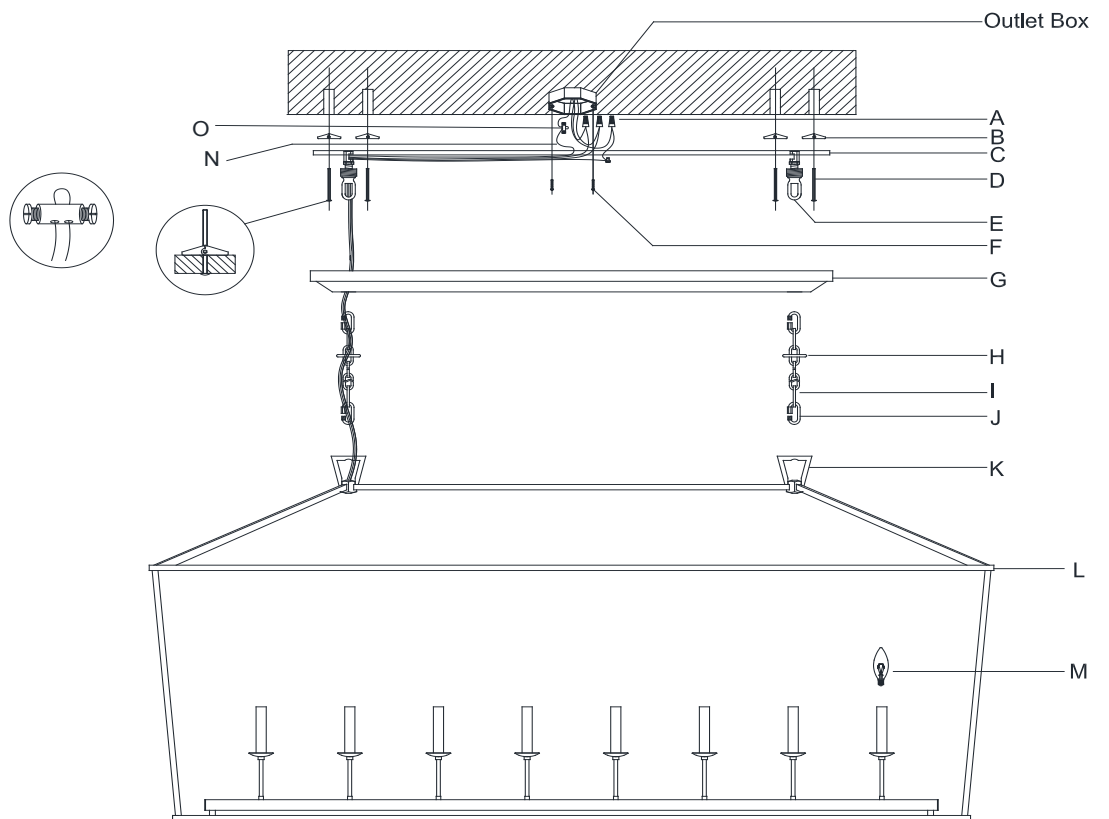


19TH C. ENGLISH OPENWORK LINEAR CHANDELIER 72"

PARTS ENCLOSED

- (A) Wire Nuts (3)
- (B) Toggle Wings (8)
- (C) Mounting Plate (1)
- (D) Toggle Bolts (8)
- (E) Ceiling Loops (2)
- (F) Mounting Screws (2)
- (G) Canopy (1)
- (H) Lock Collars (2)
- (I) Chains (2)
- (J) Carabiners (4)
- (K) Top Rings (2)
- (L) Fixture Body (1)
- (M) Bulbs (8)
- (N) Fixture Safety Cable (1)
- (O) Cable Lock Nut (1)



19TH C. ENGLISH OPENWORK LINEAR CHANDELIER 72"

IMPORTANT SAFETY INSTRUCTIONS

INSTALLATION BY A LICENSED ELECTRICIAN IS STRONGLY RECOMMENDED.

This fixture has been rated for up to eight (8) 60-Watt E12 Type B candelabra lightbulbs (not included), eight (8) 13-Watt compact fluorescent lightbulbs (not included), eight (8) 5-Watt LED lightbulbs (not included), or eight (8) 40-Watt E12 Type B candelabra lightbulbs (included). To avoid the risk of fire, do not exceed the recommended wattage.

WARNINGS

All wires are connected. When unpacking, be careful not to pull wires, as a bad connection may result. Do not connect electricity until your fixture is fully assembled. To reduce the risk of fire, electrical shock, or personal injury, always turn off fixture and allow it to cool prior to replacing the lightbulb. Do not touch or look directly at the bulb when fixture is illuminated. Keep flammable materials away from lit bulb.



WARNING: This product can expose you to lead, which is known to the State of California to cause cancer and birth defects or other reproductive harm. For more information, go to www.P65Warnings.ca.gov.

THIS PRODUCT IS NOT A TOY AND HAS NO PLAY VALUE.



WARNING: STRANGULATION HAZARD

Keep cord at least 3 feet away from cribs, bassinets, and toddler beds. Keep out of reach of children under 3 years of age.

ASSEMBLY & INSTALLATION

SHUT OFF THE MAIN ELECTRICAL SUPPLY FROM THE FUSE BOX OR CIRCUIT BREAKER PANEL.

- Carefully remove all parts from the box and remove all plastic coverings.
- Drill 8 holes on the ceiling and make sure the hole distance will match Mounting Plate (C) holes.
- Affix Toggle Wings (B) and Mounting Plate (C) to the ceiling and secure with Toggle Bolts (D).
- Install Mounting Plate (C) with Ceiling Loops (E) to the ceiling outlet box by using Mounting Screws (F).

ASSEMBLY & INSTALLATION CONT.

- Place Canopy (G) against Ceiling Loops (E) and secure with Lock Collars (H).
- Using the dimensions of the fixture as a guide, shorten Chains (I) as needed using a pair of chain pliers.
- Take into consideration that you will use the chain end link to mount the chandelier once you have removed the excess chain.
- Unscrew the threaded collar on the chain end link. Attach Chains (I) to Carabiners (K). Close the threaded collar to secure Chains (I).
- Unscrew the threaded collar on the other Carabiners (J). Raise Fixture Body (L) and attach chain end link to Top Rings (K). Close the threaded collar to secure Fixture Body (L).
- Unwrap the wires from the top of Fixture Body (L). Weave the power supply cord and the ground wire through Chains (I).
- When you reach Canopy (G) and Ceiling Loops (E), measure the wires, then cut. Be certain to leave enough to connect inside Canopy (G).
- Strip the insulation back on the two power supply wires about 5/8".
- Twist the power supply and ground wires together and push through the center hole in Ceiling Loops (E).
- Loosen Lock Collars (H). Let Canopy (G) slip down Chains (I) carefully.
- Join Fixture Safety Cable (N) with the safety cable from the ceiling.
- Wrap both safety cables around Cable Lock Nut (O).
- Insert the screws into both holes on Cable Lock Nut (O) and secure screws with a screwdriver.
- Place Cable Lock Nut (O) into the ceiling outlet box.
- Connect the ground fixture wire (bare) to the ground wire (usually bare) from your ceiling box using a Wire Nut (A). If your house does not have ground wire, then attach this wire to the green grounding screw inside of the ceiling outlet box.
- Connect the neutral fixture wire with the neutral (usually white) wire from your ceiling box using a Wire Nut (A).
- Connect the hot fixture wire (smooth edge, markings, or black) with the hot wire (usually black) from the ceiling outlet box using a Wire Nut (A).
- Tuck these wire connections neatly into Ceiling Loops (E) to secure.
- Affix Canopy (G) to Ceiling Loops (E) and secure with Lock Collars (H).
- Install Bulbs (N) into each of the sockets.
- Installation is complete. Turn on power at fuse or circuit breaker.

CARE INSTRUCTIONS

Do not use polishes or cleaners on the fixture. Wipe clean with a soft, dry cloth.