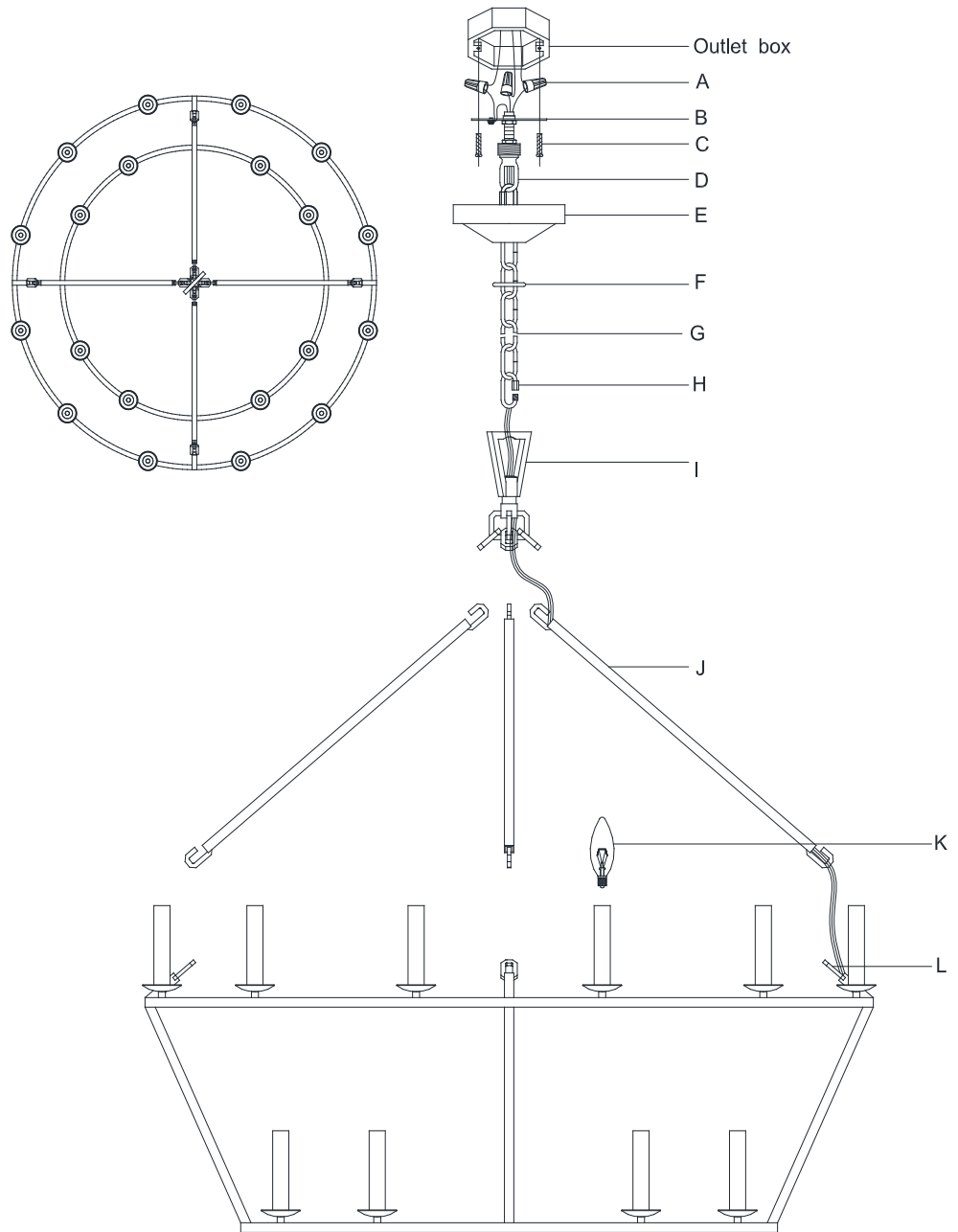


RH

19TH C. ENGLISH OPENWORK 2-TIER ROUND CHANDELIER 40"

PARTS ENCLOSED

- (A) Wire Nuts (3)
- (B) Crossbar (1)
- (C) Mounting Screws (2)
- (D) Ceiling Loop (1)
- (E) Canopy (1)
- (F) Lock Collar (1)
- (G) Chain (1)
- (H) Carabiners (2)
- (I) Top Ring (1)
- (J) Stems (4)
- (K) Bulbs (20)
- (L) Hanging Rings (4)



IMPORTANT SAFETY INSTRUCTIONS

INSTALLATION BY A LICENSED ELECTRICIAN IS STRONGLY RECOMMENDED.

This fixture has been rated for up to twenty (20) 25-Watt E12 type CA candelabra lightbulbs (included), twenty (20) 9-Watt compact fluorescent lightbulbs (not included), or twenty (20) 3-Watt LED lightbulbs (not included). To avoid the risk of fire, do not exceed the recommended wattage.

WARNINGS

All wires are connected. When unpacking, be careful not to pull wires, as a bad connection may result. Do not connect electricity until your fixture is fully assembled. To reduce the risk of fire, electrical shock, or personal injury, always turn off fixture and allow it to cool prior to replacing the lightbulb. Do not touch or look directly at the bulb when fixture is illuminated. Keep flammable materials away from lit bulb.



WARNING: This product can expose you to lead, which is known to the State of California to cause cancer and birth defects or other reproductive harm. For more information, go to www.P65Warnings.ca.gov.

THIS PRODUCT IS NOT A TOY AND HAS NO PLAY VALUE.



WARNING: STRANGULATION HAZARD
Keep cord at least 3 feet away from cribs, bassinets, and toddler beds. Keep out of reach of children under 3 years of age.

ASSEMBLY & INSTALLATION

SHUT OFF THE MAIN ELECTRICAL SUPPLY FROM THE FUSE BOX OR CIRCUIT BREAKER PANEL.

- Carefully remove all parts from the box and remove all plastic coverings.
- Install Crossbar (B) with Ceiling Loop (D) to the ceiling outlet box using Mounting Screws (C).
- Attach one end of Stems (J) to Hanging Rings (L) on the fixture body and the other end to Top Ring (I).

ASSEMBLY & INSTALLATION CONT.

- Unscrew the threaded collar on one of Carabiners (H) and attach it to Top Ring (I). Close the threaded collar to secure the fixture body.
- Let Canopy (E) and Lock Collar (F) go through Chain (G).
- With the fixture dimension as a guide, shorten Chain (G) as needed using a pair of chain pliers.
- Unscrew the threaded collar on the other Carabiners (H) and raise the fixture body, then attach Carabiners (H) to Ceiling Loop (D). Close the threaded collar to secure in place.
- Unwrap the wire from the top of the fixture body. Weave the power supply cord and the ground wire through Chain (G).
- When you reach Canopy (E) and Ceiling Loop (D), measure the wires and cut. Be certain to leave enough to connect inside of the outlet box.
- Strip the insulation back on the two power supply wires about 5/8".
- Twist the power supply and ground wire together and push through the center hole of the Ceiling Loop (D).
- Connect the fixture ground wire (bare) with the ground wire from the ceiling outlet box using a Wire Nut (A). If your house does not have ground wire, then attach this wire to the green grounding screw inside of the outlet box. IT IS IMPERATIVE THAT THIS FIXTURE BE GROUNDED.
- Connect the fixture neutral wire (ribbed, no markings) with the neutral wire from the ceiling outlet box using a Wire Nut (A).
- Connect the fixture hot wire (smooth edge, markings) with the hot wire from the outlet box using a Wire Nut (A). DO NOT REVERSE THE HOT AND NEUTRAL CONNECTIONS OR SAFETY WILL BE COMPROMISED.
- Tuck these wire connections neatly into the ceiling outlet box to secure.
- Affix Canopy (E) to Ceiling Loop (D) and secure with Lock Collar (F).
- Insert Bulbs (K) into each of the sockets.
- Installation is complete. Turn on power at fuse or circuit breaker.

CARE INSTRUCTIONS

Do not use polishes or cleaners on the fixture. Wipe clean with a soft, dry cloth.