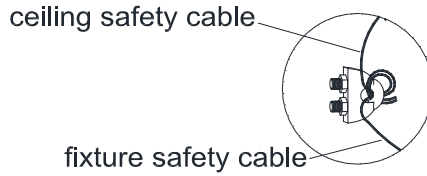


RH

BECKMAN ROUND CHANDELIER 33"

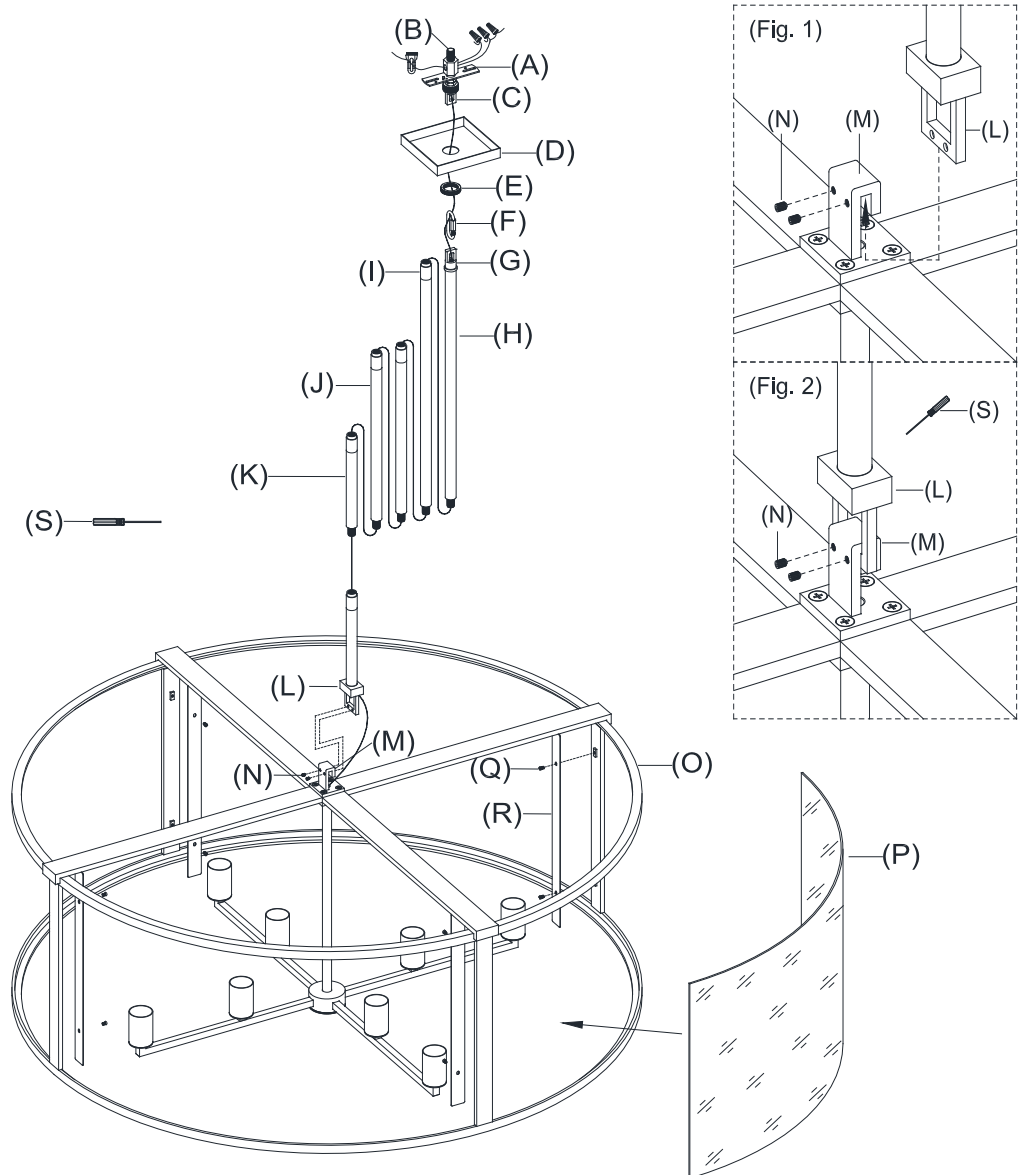
PARTS ENCLOSED

- (A) Mounting Strap (1)
- (B) Threaded Nipple (1)
- (C) Mounting Loop (1)
- (D) Canopy (1)
- (E) Canopy Ring (1)
- (F) Quick Link (1)
- (G) Hanging Loop (1)
- (H) 18" Connection Rods (2)
- (I) Connective Tubes (5)
- (J) 12" Connection Rods (2)
- (K) 6" Connection Rods (2)
- (L) Loop (1)
- (M) Top Hook (1)
- (N) Screws (2)
- (O) Lantern Box (1)
- (P) Glass Panels (4)
- (Q) Set Screws (8)
- (R) Metal Tabs (4)
- (S) Wrench (1)
- (T) Bulbs (8)



To assemble safety cables:

1. Join fixture safety cables with safety cable from ceiling.
2. Wrap both safety cable around the cable lock nut.
3. Secure by tightening both hex nuts until tight.



IMPORTANT SAFETY INSTRUCTIONS

INSTALLATION BY A LICENSED ELECTRICIAN IS STRONGLY RECOMMENDED.

This fixture has been rated for up to eight (8) 60-Watt maximum Type T lightbulbs (included) or eight (8) 13-Watt compact fluorescent lightbulbs (not included). To avoid the risk of fire, do not exceed the recommended wattage.

WARNINGS

All wires are connected. When unpacking, be careful not to pull wires, as a bad connection may result. Do not connect electricity until your fixture is fully assembled. To reduce the risk of fire, electrical shock, or personal injury, always turn off fixture and allow it to cool prior to replacing the lightbulb. Do not touch or look directly at the bulb when fixture is illuminated. Keep flammable materials away from lit bulb.



WARNING: This product can expose you to lead, which is known to the State of California to cause cancer and birth defects or other reproductive harm. For more information, go to www.P65Warnings.ca.gov.

THIS PRODUCT IS NOT A TOY AND HAS NO PLAY VALUE.



WARNING: STRANGULATION HAZARD

Keep cord at least 3 feet away from cribs, bassinets, and toddler beds. Keep out of reach of children under 3 years of age.

ASSEMBLY & INSTALLATION

SHUT OFF THE MAIN ELECTRICAL SUPPLY FROM THE FUSE BOX OR CIRCUIT BREAKER PANEL.

- Carefully remove all parts from the box and remove all plastic coverings.
- Remove Metal Tabs (R) by removing Set Screws (Q). Install Glass Panels (P) to each frame on the side of Lantern Box (O), then secure with Metal Tabs (R) and Set Screws (Q).
- Remove Screws (N) from Top Hook (M). Attach Loop (L) to Top Hook (M) by aligning holes and secure with Screws (N). Tighten with Wrench (S) (refer to Fig. 1 and Fig. 2).
- Determine the hanging length of chandelier. Connect Lantern Box (O) to some or all Connection Rods (H) (J) (K) and Connective Tubes (I) according to the height needed. Note: Pre-

ASSEMBLY & INSTALLATION CONT.

- wire the connection rods before putting them together.
- Feed wires through the Connection Rods (H) (J) (K), Hanging Loop (G), Canopy Ring (E), Canopy (D) and Mounting Loop (C).
 - Screw Quick Link (F) onto Hanging Loop (G)
 - Unscrew Canopy Ring (E). Slide Canopy Ring (E) and Canopy (D) onto Connection Rods (H) (J) (K).
 - A 1/4" IPS PIPE must be installed to your ceiling; then, install the Threaded Nipple (B) into the 1/4" IPS PIPE.
 - Affix Mounting Strap (A) to the ceiling and secure with mounting screws (not included). Proper fasteners can be found from your local hardware store.
 - Connect the safety steel wire from the fixture and the safety cable from the ceiling (refer to the illustration).
 - Gently pull the wire from the ceiling outlet box and allow the wire to hang. Thread the wire through the center hole in Mounting Strap (A).
 - Carefully inspect the chandelier's two fixture wires. One has very fine ridges molded into the plastic covering – this is the neutral wire. The second wire's covering is smooth – this is the hot wire. The bare wire is the ground wire.
 - Connect the ground wire from the fixture with the ground wire (usually bare) from your ceiling box using a wire nut. If your house does not have a ground wire, then attach the ground wire from the fixture to the green grounding screw inside of the outlet box. IT IS IMPERATIVE THAT THE OUTLET BOX IN YOUR HOME BE PROPERLY GROUNDED.
 - Connect the neutral wire from your fixture with the neutral wire (usually white) from your ceiling box using a wire nut.
 - Connect the hot wire from your fixture with the hot wire (usually black) from your outlet box using a wire nut. DO NOT REVERSE THE HOT AND NEUTRAL CONNECTIONS OR SAFETY WILL BE COMPROMISED.
 - Tuck the wire connection neatly into the ceiling outlet box.
 - Hook Hanging Loop (G) onto Mounting Loop (C) by opening and closing Quick Link (F). Raise Canopy (D) to cover the ceiling outlet box, then secure by connecting Canopy Ring (E) to Mounting Loop (C).
 - Insert Bulbs (T) into the sockets.
 - Assembly is complete.

CARE INSTRUCTIONS

Do not use polishes or cleaners on the fixture. Wipe clean with a soft, dry cloth.