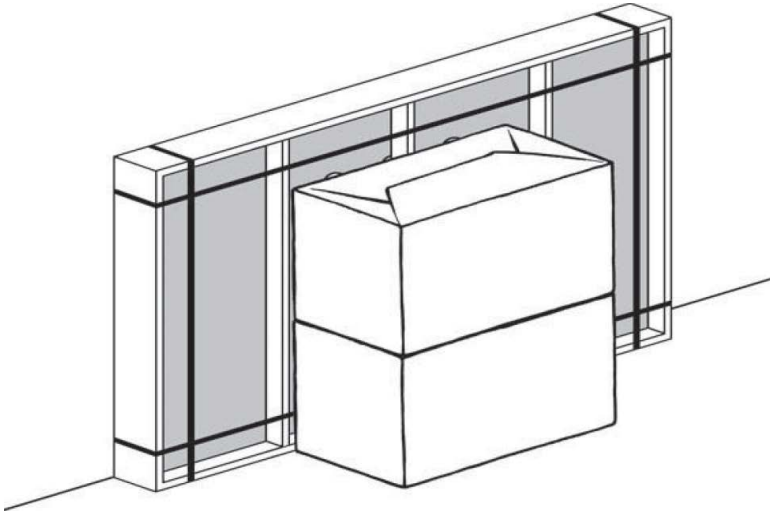
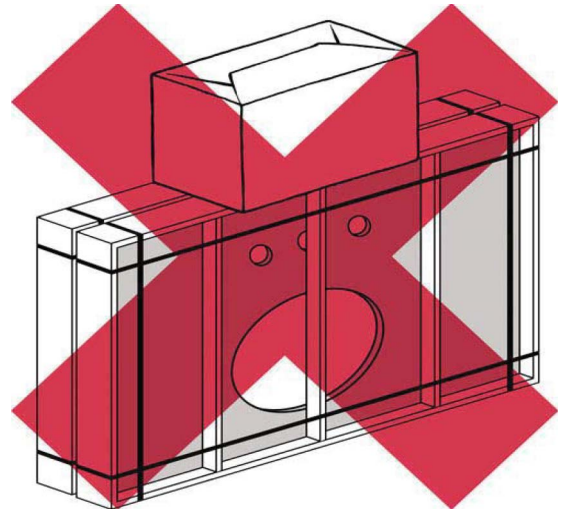


### CRATE STORAGE



- Keep Stone Top in it's crate until installation
- Store crate vertically in a safe location



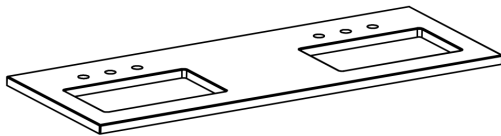
- Do not stack anything on top of crate

### TOOL AND MATERIAL REQUIREMENTS

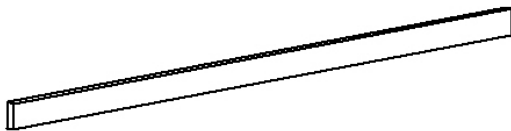
- Flat, non-abrasive work surface (blanket or smooth cardboard)
- Sealant
- Phillips-head screwdriver
- Carpenter's level
- Utility blade

## PARTS LIST

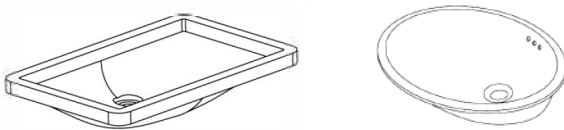
A. Stone Top (Round or Square)



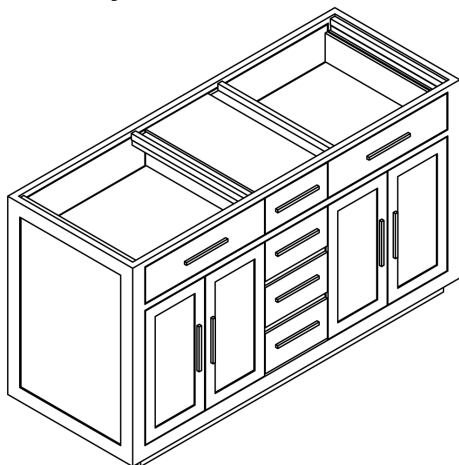
B. Backsplash (Sold Separately)



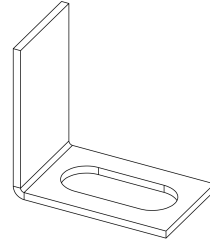
C. Basin (x2) Round or Square



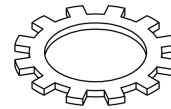
D. Vanity Base



E. Mounting Bracket (x8)



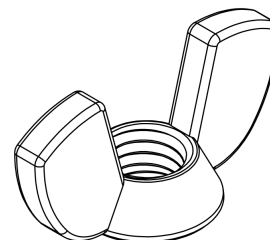
F. Lock Washer (x8)



G. Threaded Rod (x8)

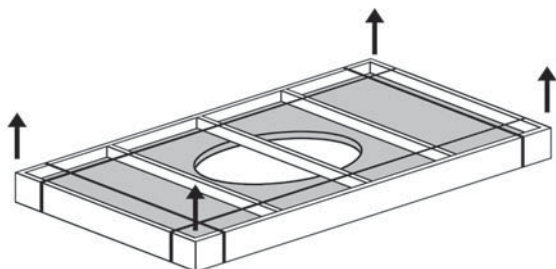


H. Wing Nut (x8)

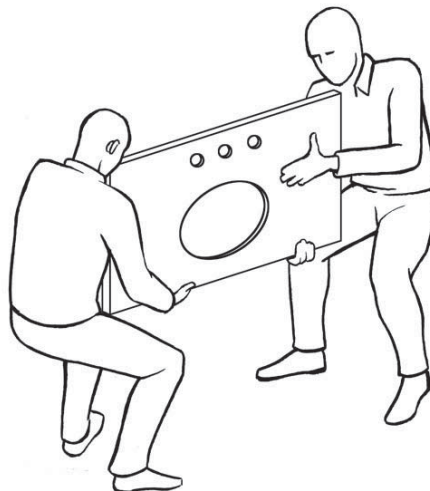


### STONE TOP UN-PACKING AND TRANSPORT

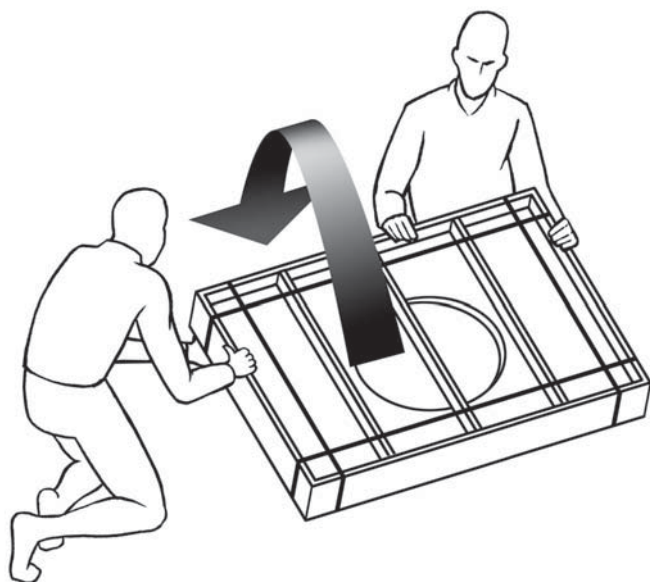
WHEN MOVING STONE TOP, ALWAYS USE A TWO-MAN CREW



Remove metal bands, unscrew the slats or lid, and lift the Stone Top [ A ] out of the crate.



Always carry Stone Top [ A ] vertically



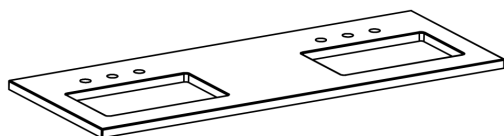
Carefully, without allowing any freefall, rotate the crate from vertical to flat.



Do not carry Stone Top [ A ] horizontally as it increases the risk of breakage or cracking.

### STONE TOP INSPECTION

Inspect the Stone Top [ A ] for cracks or defects.  
If defects are detected, do not install and please call 877-777-7059.  
If no defects are detected; clean Stone Top [ A ] with a soft cloth.



### CLEANING AND MAINTENANCE INSTRUCTIONS

- Avoid abrasive and harsh chemical cleaners.
- RH Stone Tops [ A ] have a honed finish, hand polished edges, and are sealed twice with inert silicone sealant
- Stone Tops [ A ] should be re-sealed annually

# RH

## KEMPTON DOUBLE 60" VANITY

### STONE TOP INSTALLATION



**Caution!** Installation between two walls requires special care.

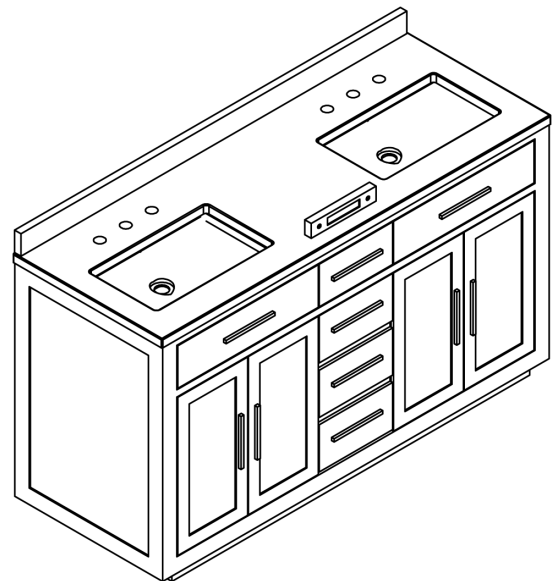
- If installing Stone Top [ A ] between two walls, stop here and follow the next set of instructions.

#### Standard Stone Top Installation Guidelines

1. Apply a continuous bead of sealant to the top face of Sink Basin [ C ] rim where the Stone Top [ A ] makes contact with the Sink Basin [ C ] .
2. Using a two-man crew, lift Stone Top [ A ] and set it on top of Vanity Base [ D ] .
3. Apply silicone sealant at seam where Backsplash [ B ] meets the wall.  
(see illustration below).

#### Stone Top Installation Between Two Walls

1. Apply a continuous bead of sealant to the top face of Sink Basin [ C ] rim (where the Stone Top [ A ] makes contact with the Sink Basin [ C ] ).
2. Using a two-man crew, lift Stone Top [ A ] and set it's rear edge on the back of the Vanity Base [ D ] (closest to rear wall) -- see illustration below.
3. Lower front of Stone top onto the Vanity Base [ D ] - make sure both ends are lowered at the same rate.
4. Do not shimmy, twist or turn the Stone Top [ A ] while lowering as this increases the risk of breakage!
5. Apply silicone sealant at seam where Backsplash [ B ] meets the wall.  
(see illustration below).

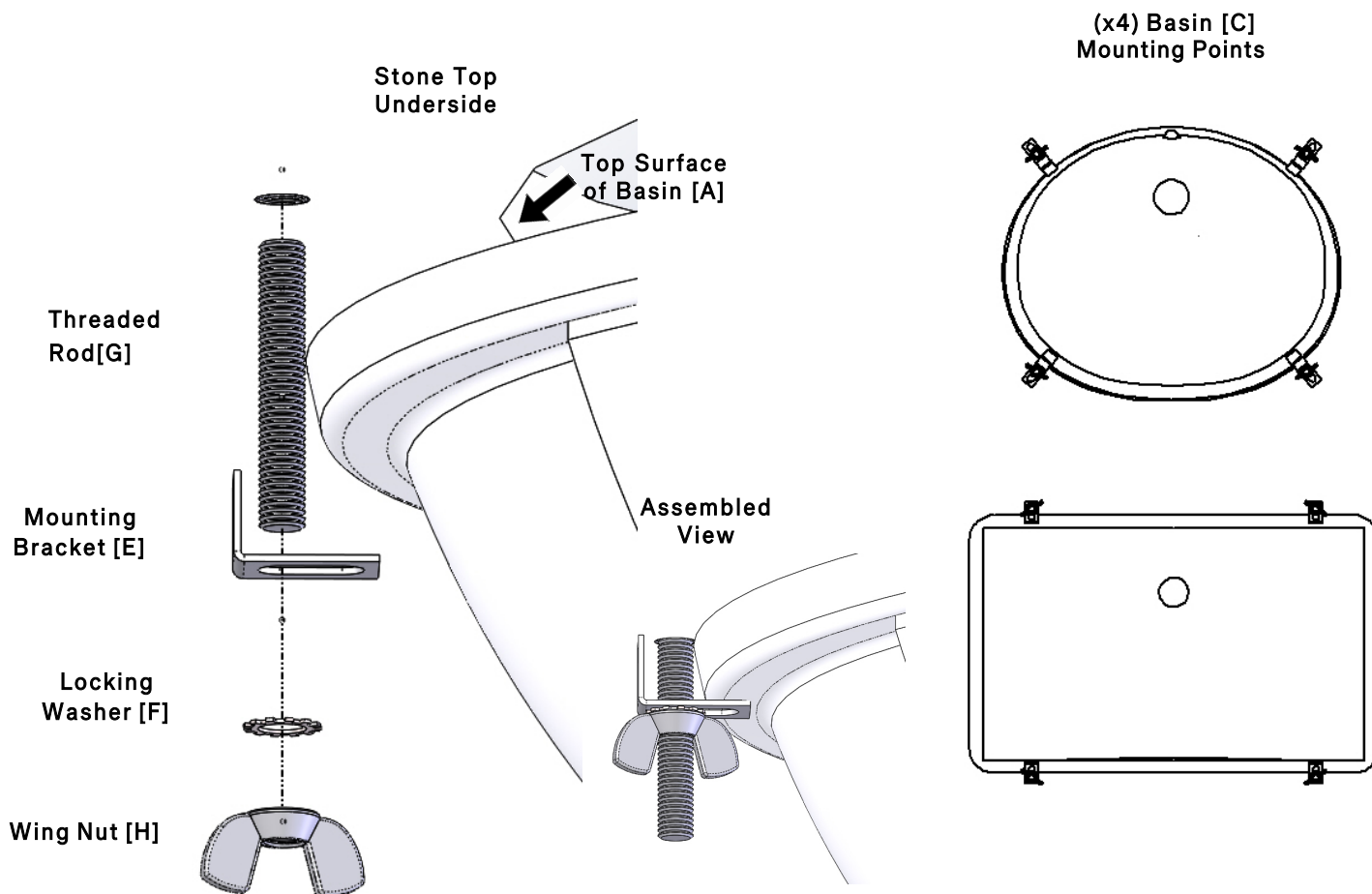


### PRIMARY INSTALLATION REQUIREMENTS:

- Professional two-man crew.
- Water supply and drain piping installed according to local plumbing and building codes (sold separately).
- Wall and floor are square and plumb at installation site.
- Vanity Base [D] installed square and plumb with wall and floor. Vanity Base [D] also needs to be level.
- Ensure Stone Top [A] is the correct size to match the Vanity Base [D].

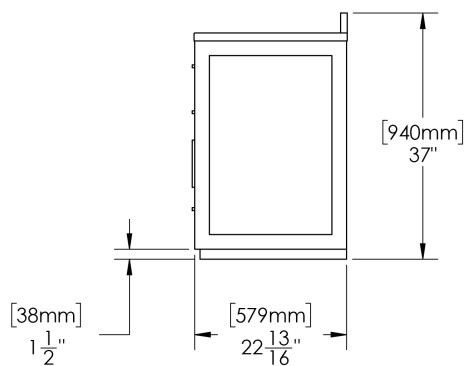
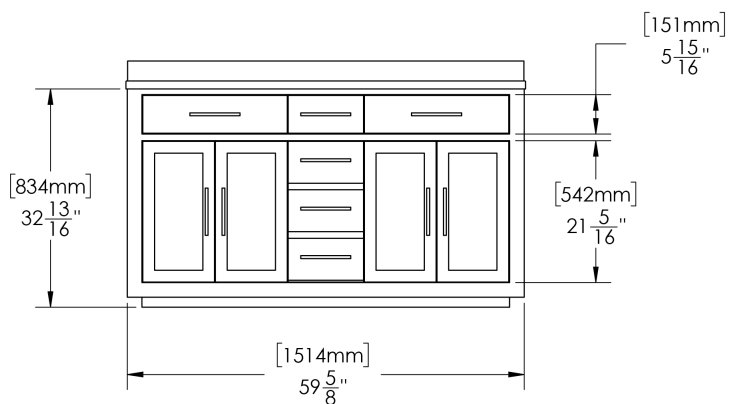
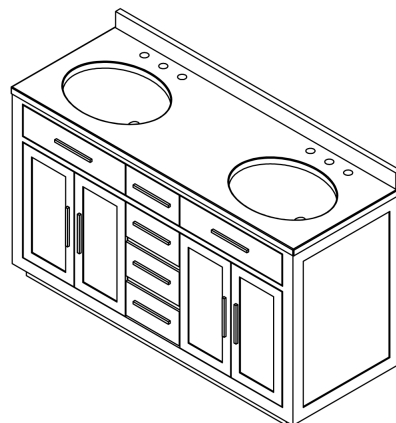
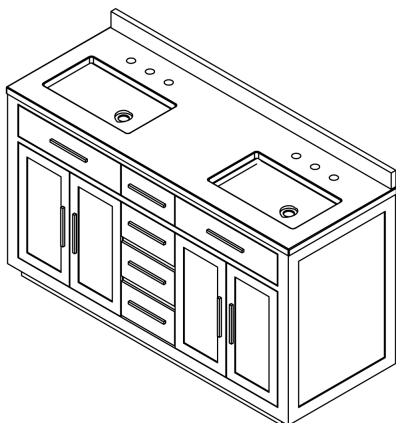
### BASIN INSTALLATION STEPS:

1. Apply a continuous bead of silicone sealant to the top surface of lavatory basin rim where it comes in contact with underside of Stone Top [A] (see illustration below).
2. Position basin [C] in its final location and secure Mounting Bracket under the basin [C] lip. Make sure overflow of basin [C] is located on the same side as the pre-drilled faucet holes in Stone Top [A].
3. Align Threaded Rod [G], Lock Washer [F] and Wing Nut [H] with pre-installed Stone Top threaded insert and secure on all (4) points with mounting bracket [E].



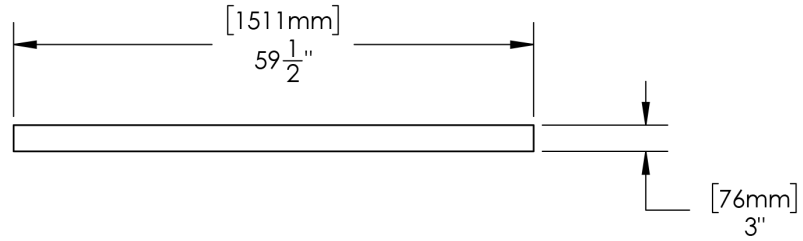
# RH

## KEMPTON DOUBLE 60" VANITY

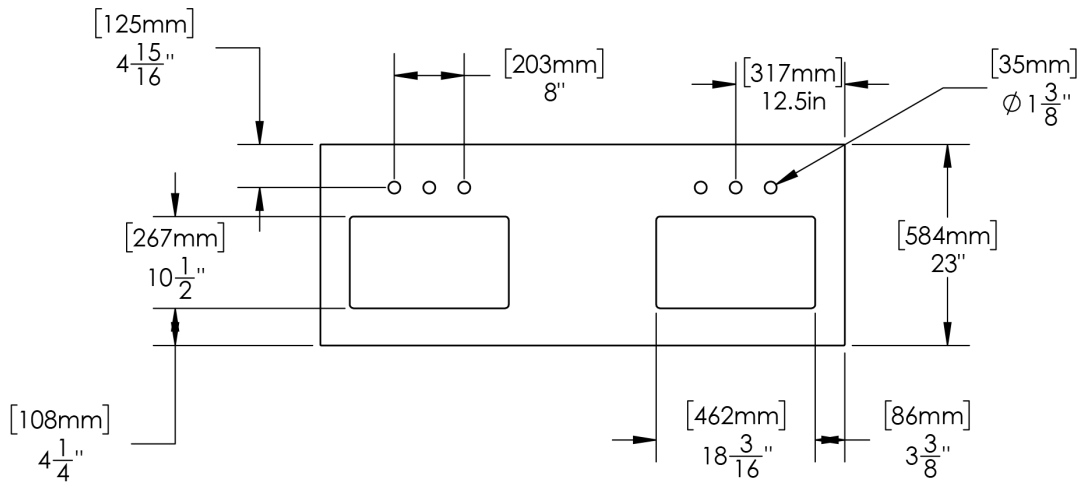


# RH

## KEMPTON DOUBLE 60" VANITY

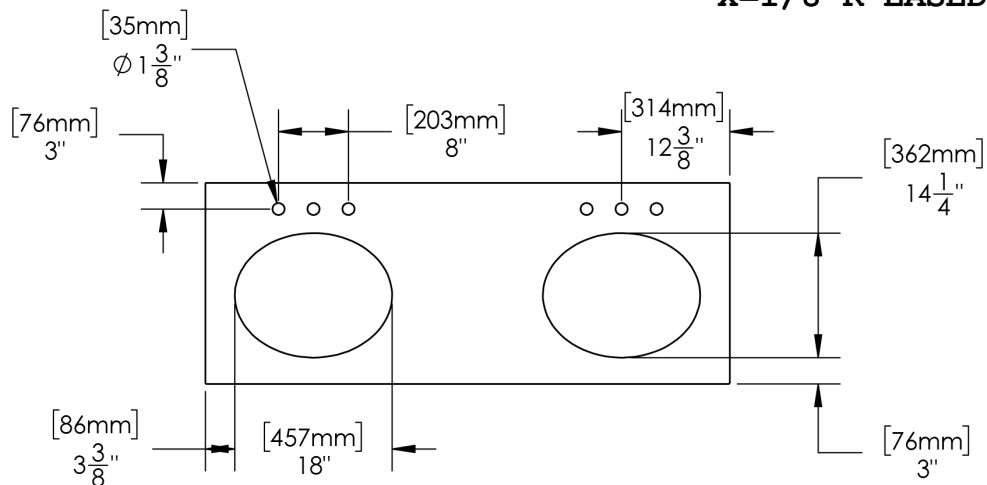


### RECTANGULAR STONETOP



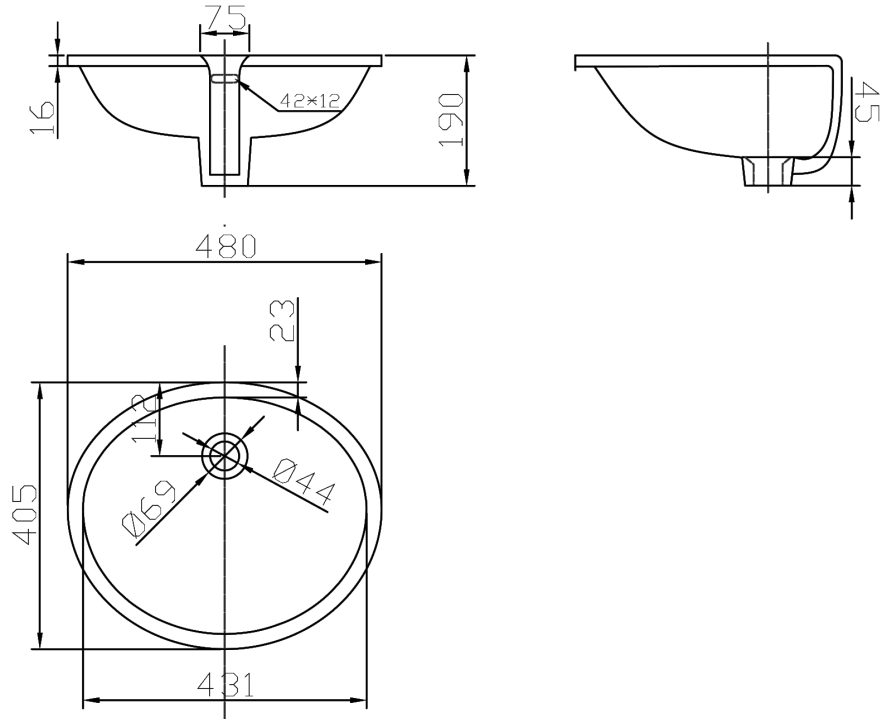
### OVAL STONETOP

**NOTE:**  
**X=1/8" R EASED EDGE**



## KEMPTON DOUBLE 60" VANITY

### RECTANGULAR BASIN



### OVAL BASIN

